

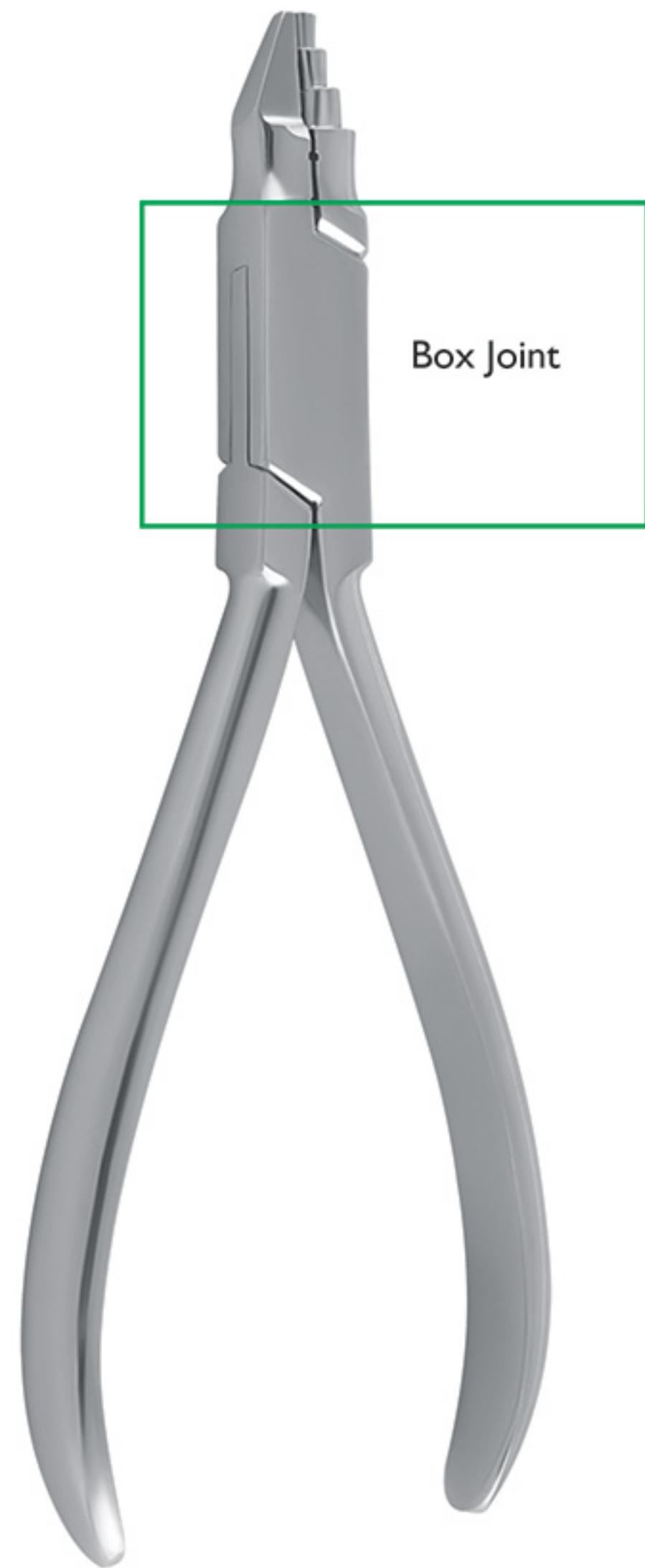
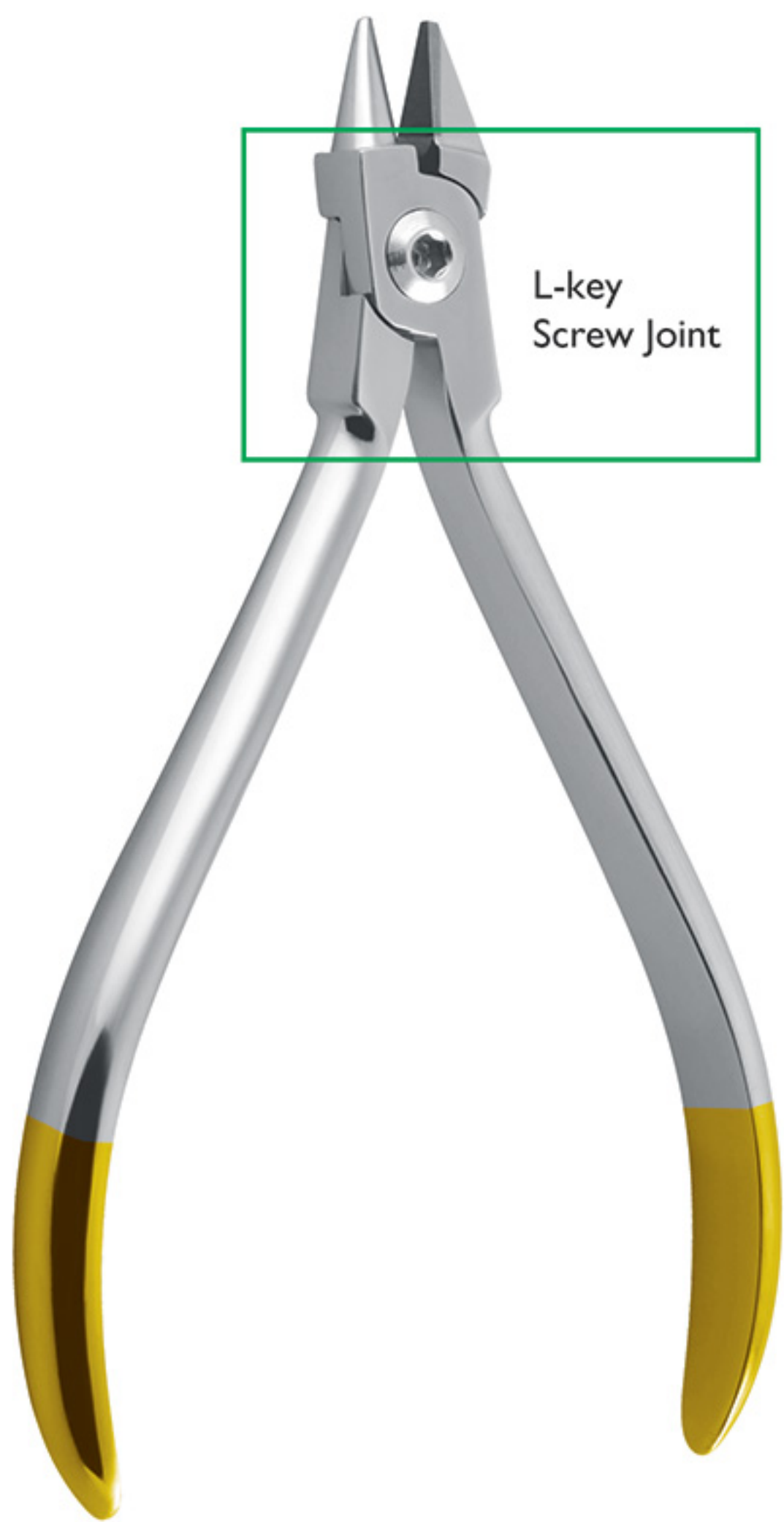


ORTHODONTIC
INSTRUMENTS

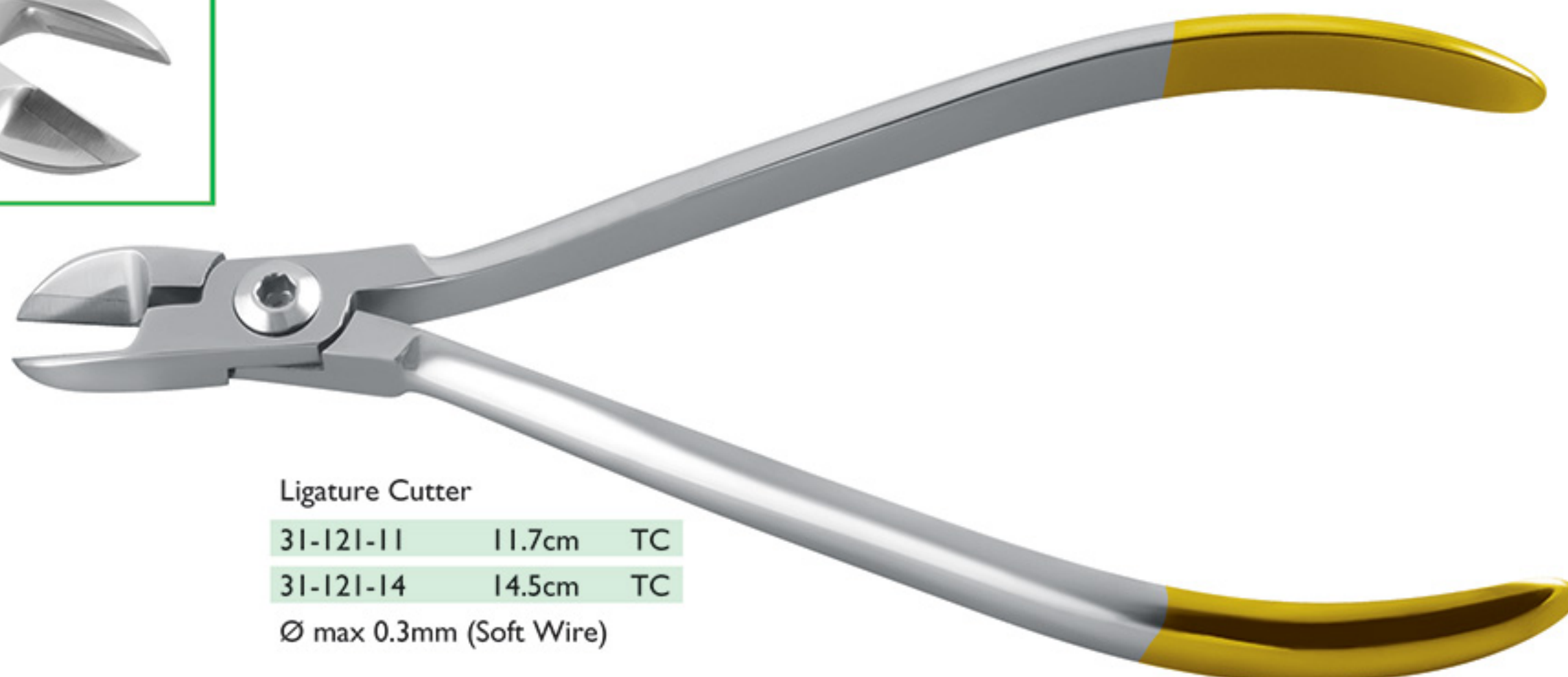


M.A. ARAIN & BROTHERS
www.maarain.com

www.maarain.com



ORTHODONTIC PLIERS



Ligature Cutter

31-121-11 11.7cm TC

31-121-14 14.5cm TC

Ø max 0.3mm (Soft Wire)

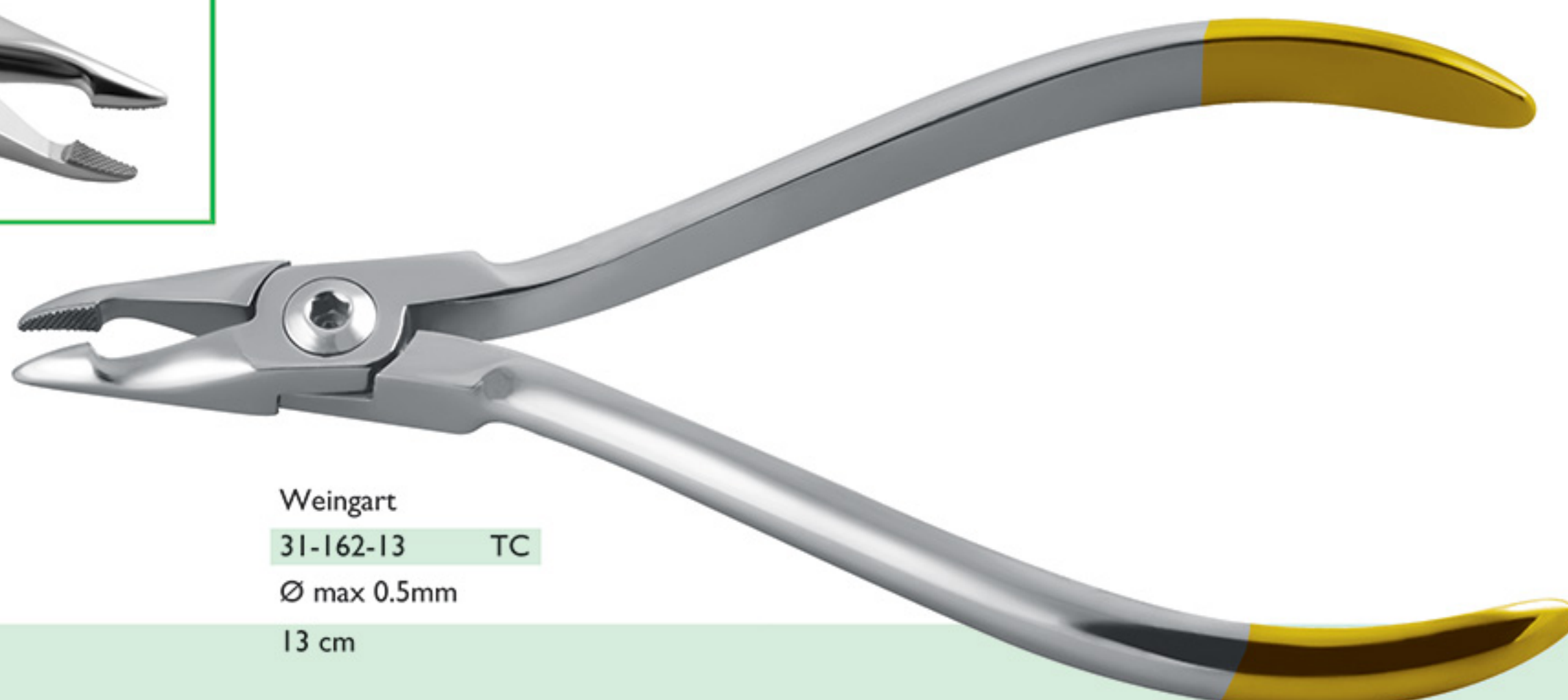


Safety Hold Distal End Cutter

31-122-11 11.5cm TC

31-122-14 14.5cm TC

Ø max 0.55 x 0.64mm

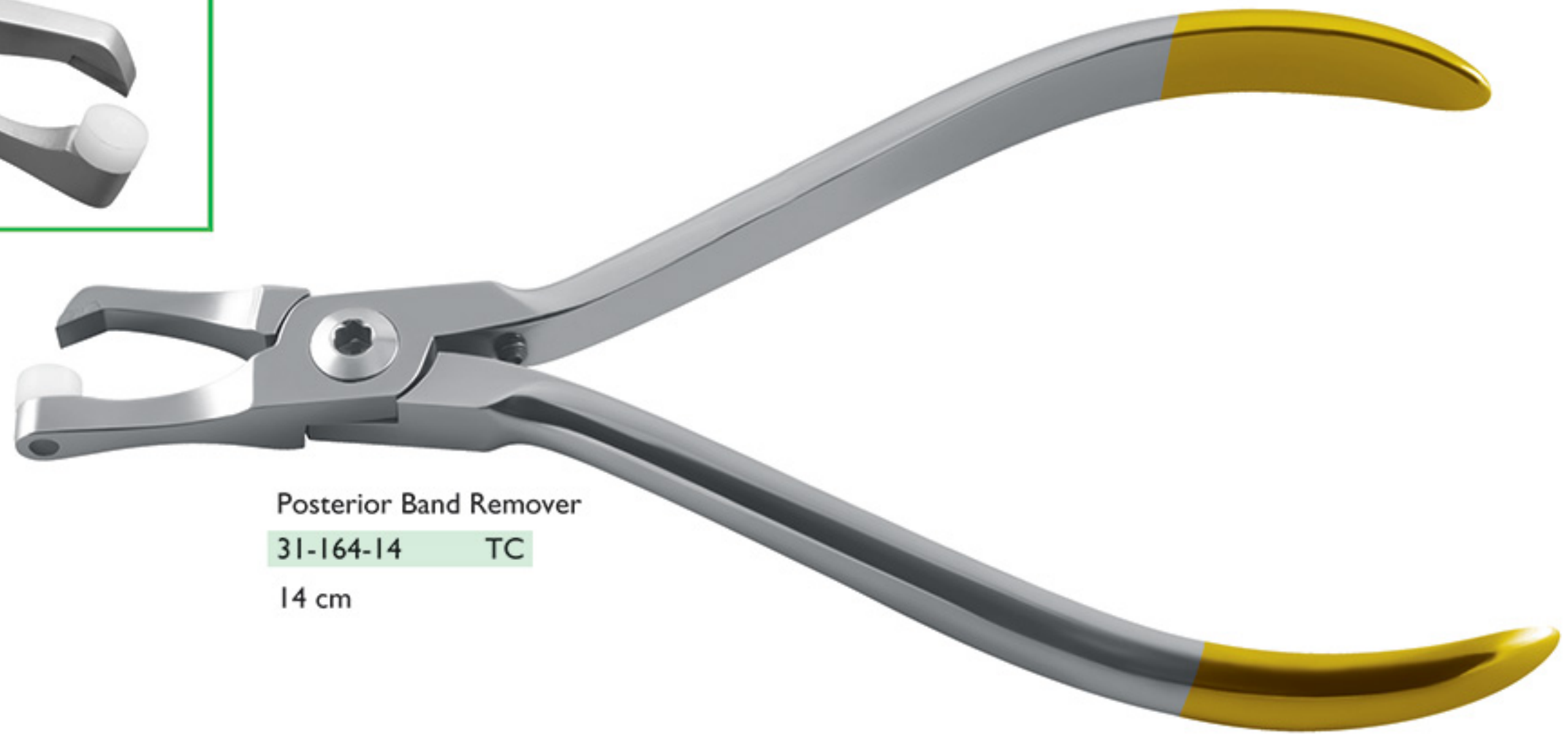


Weingart

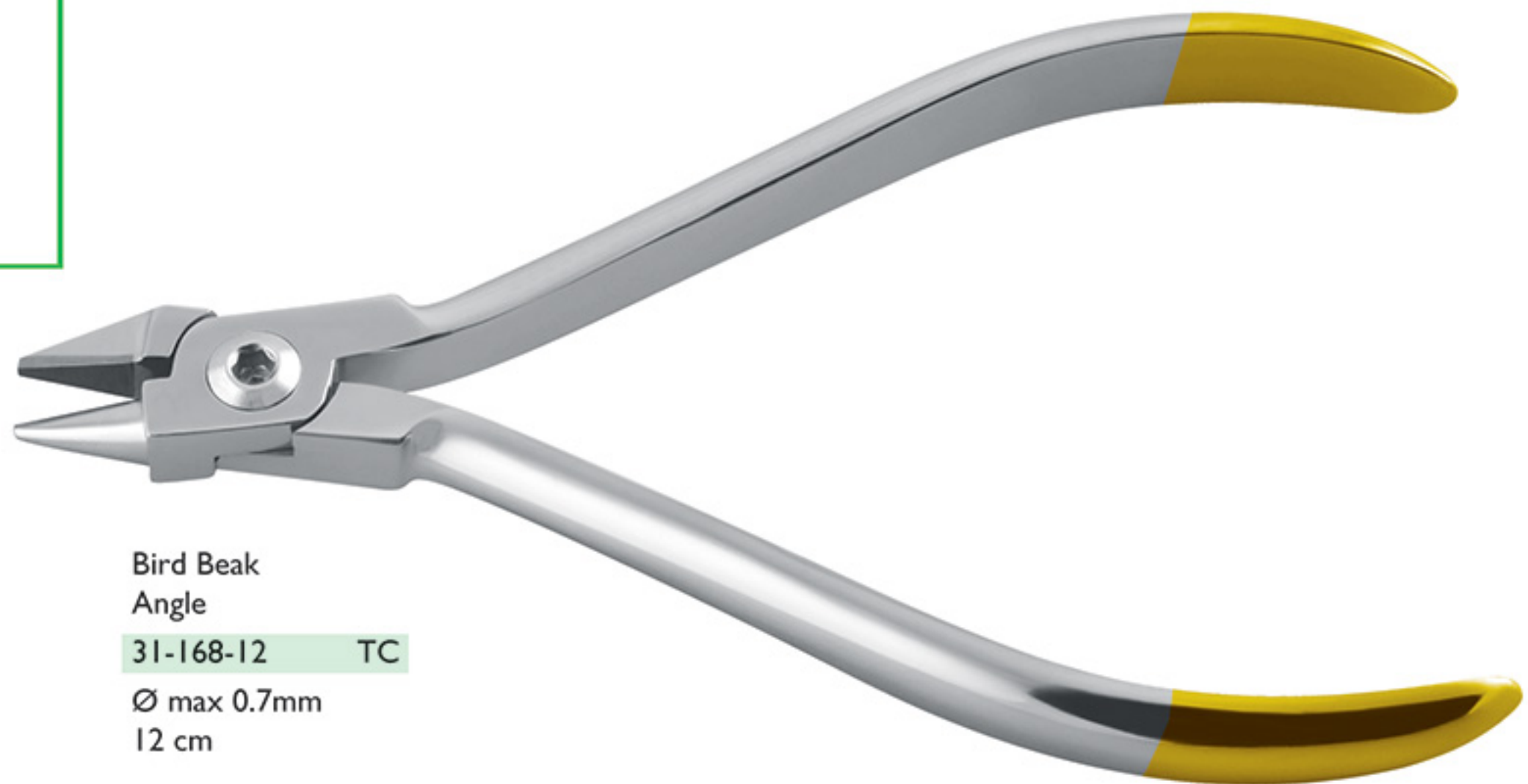
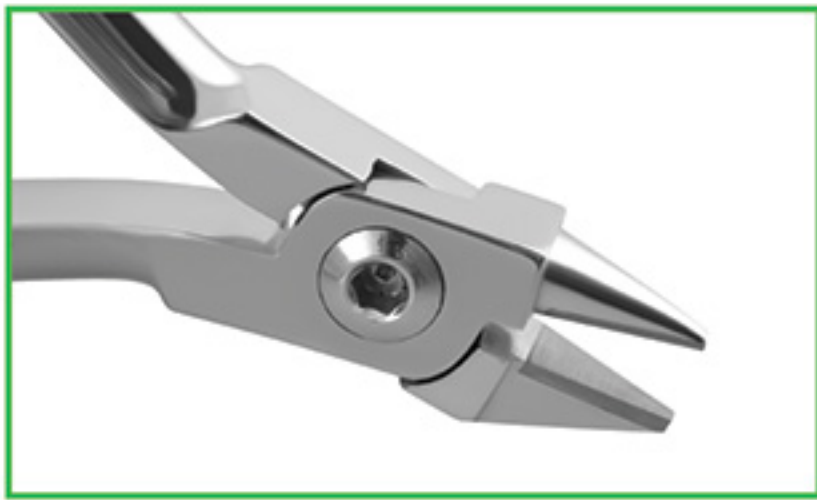
31-162-13 TC

Ø max 0.5mm

13 cm



Posterior Band Remover
31-164-14 TC
14 cm

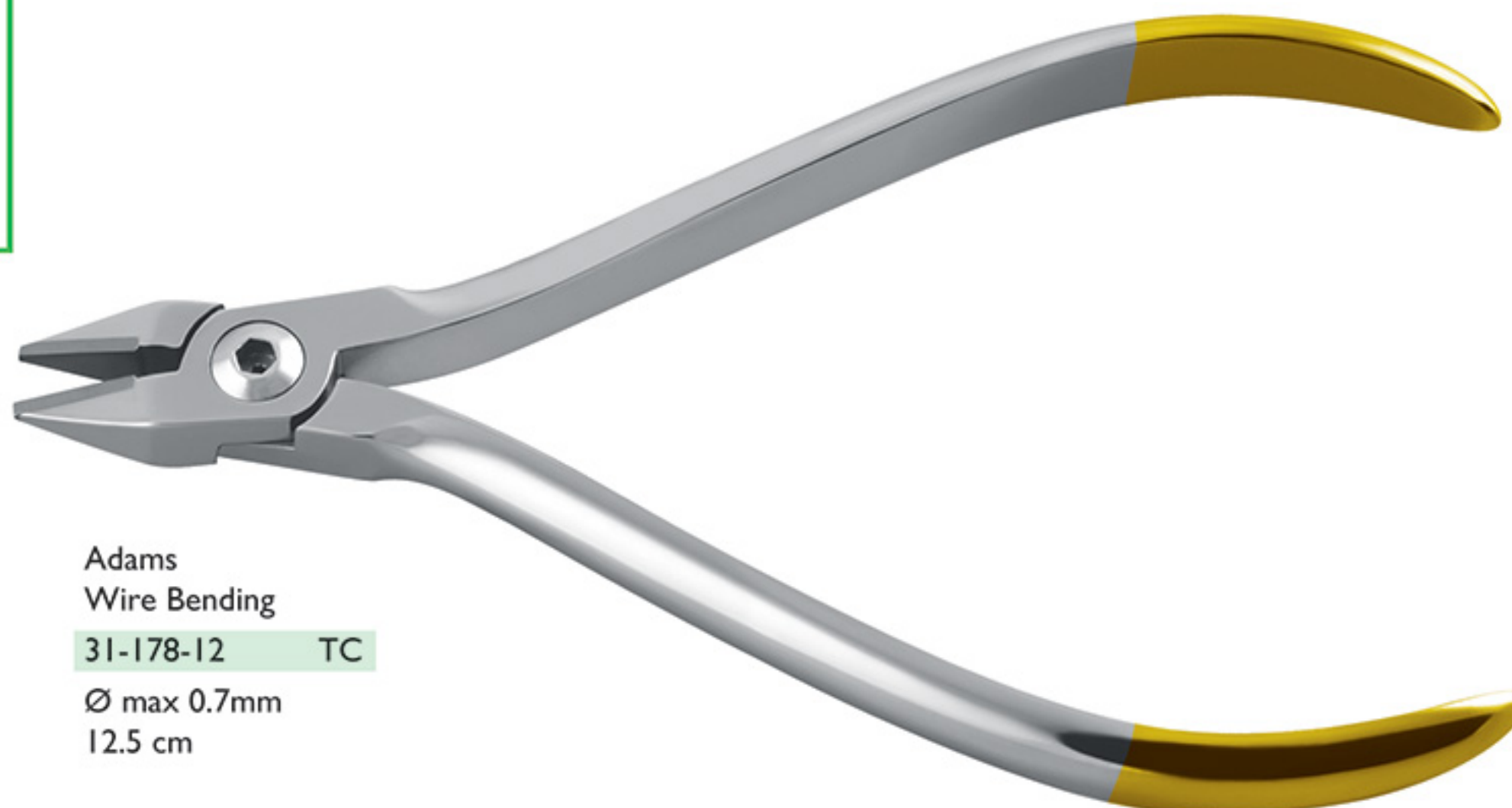


Bird Beak
Angle
31-168-12 TC
Ø max 0.7mm
12 cm



Bird Beak Long
31-169-14 TC
Ø max 0.6mm
14 cm

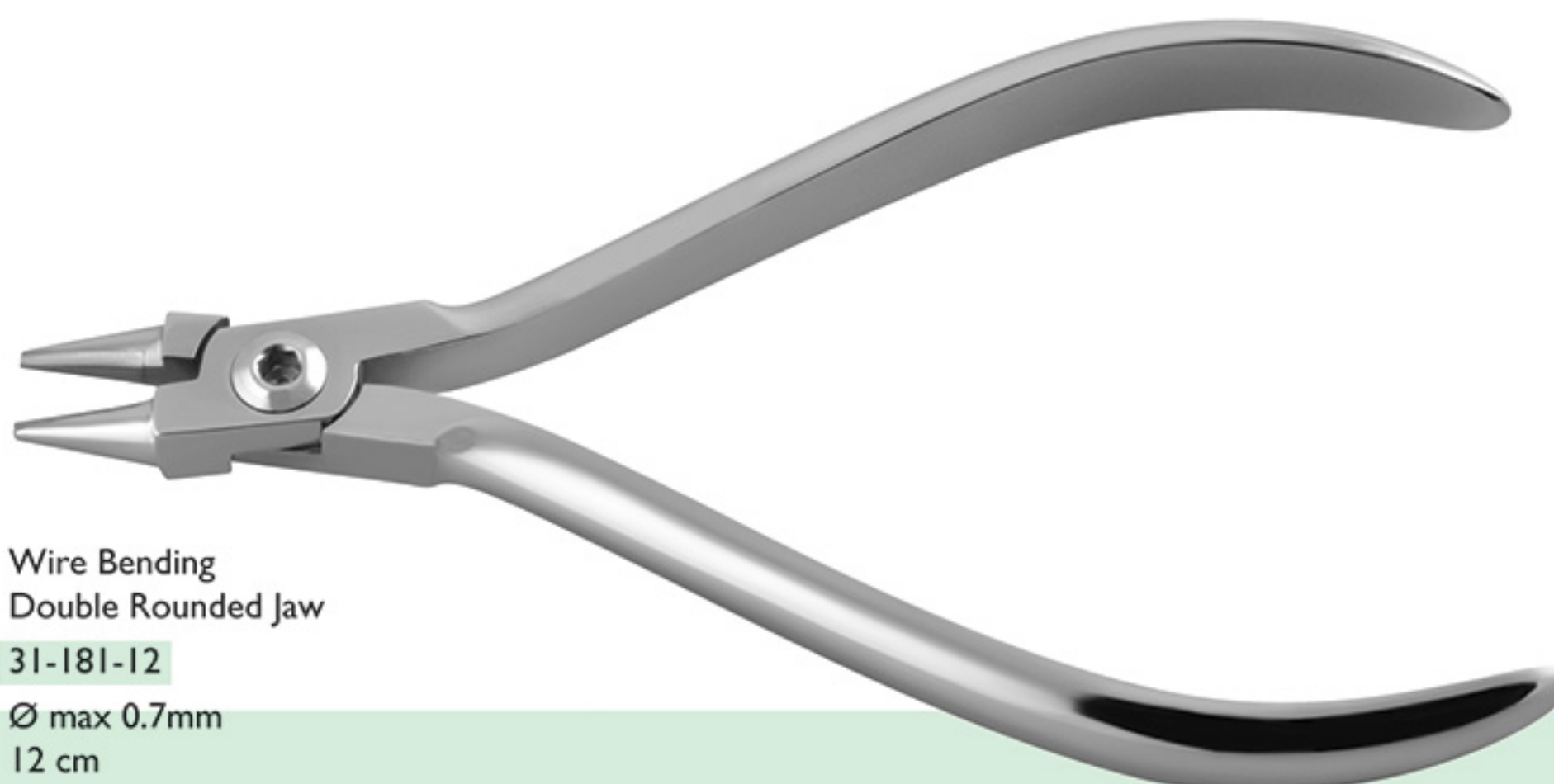
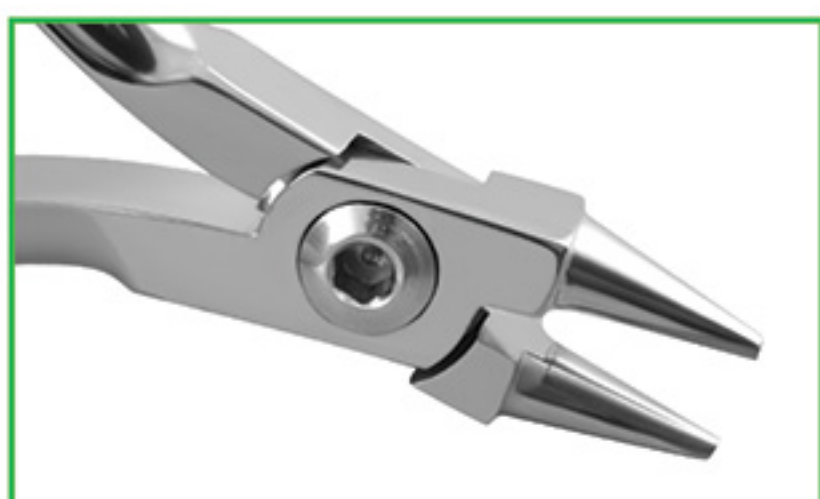
ORTHODONTIC PLIERS



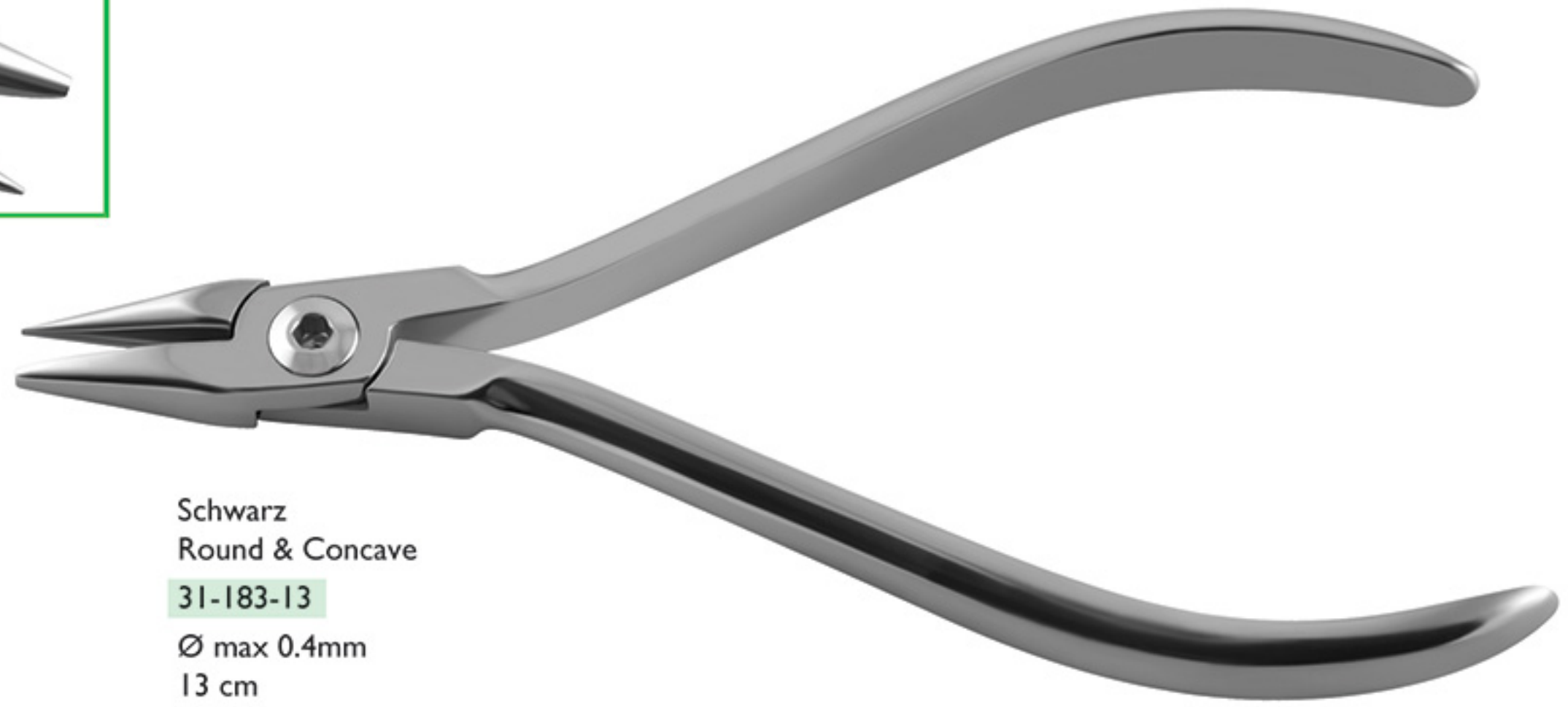
Adams
Wire Bending
31-178-12 TC
Ø max 0.7mm
12.5 cm



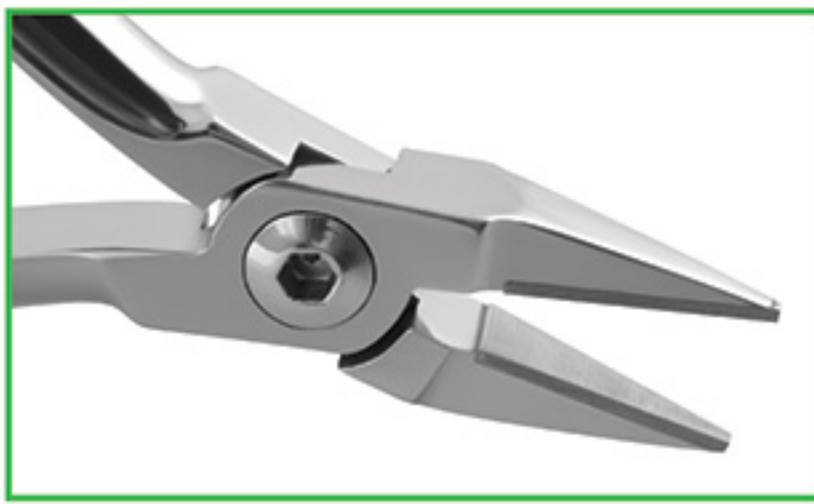
Reynold
31-179-13
13 cm



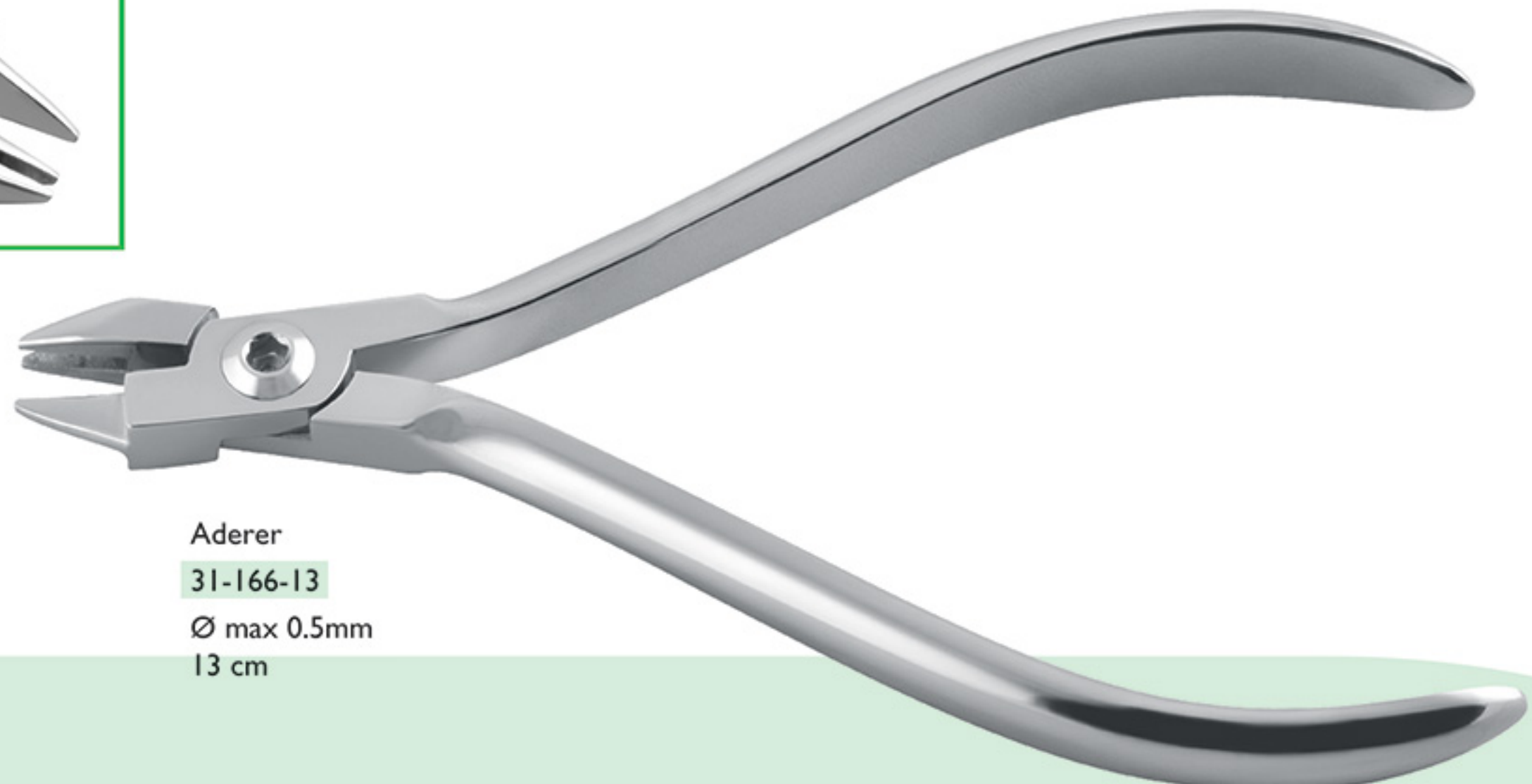
Wire Bending
Double Rounded Jaw
31-181-12
Ø max 0.7mm
12 cm



Schwarz
Round & Concave
31-183-13
Ø max 0.4mm
13 cm



Wire Bending
Flat Nose - Smooth Beaks
31-184-13 TC
Ø max 0.4mm
14 cm

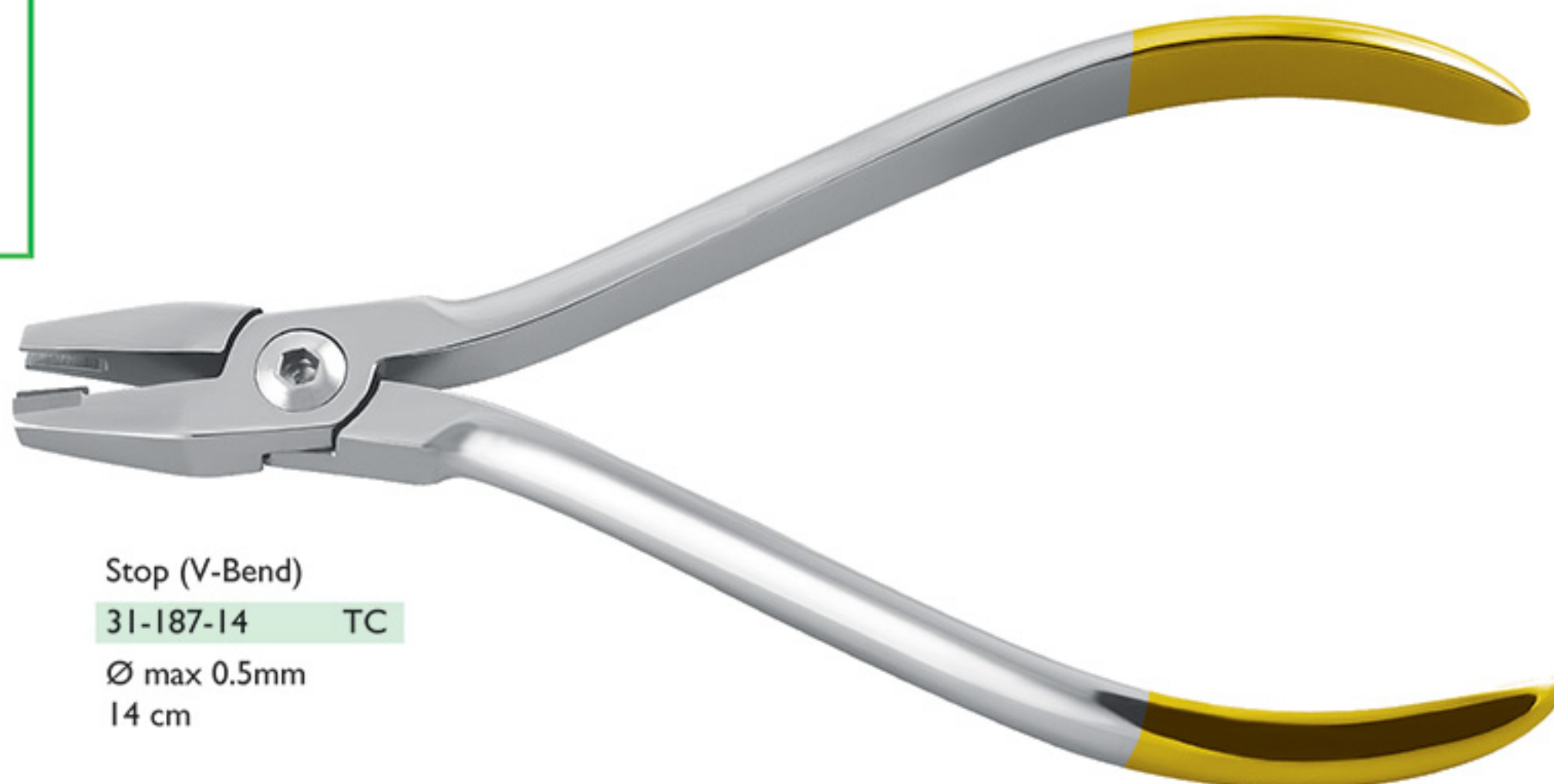


Aderer
31-166-13
Ø max 0.5mm
13 cm

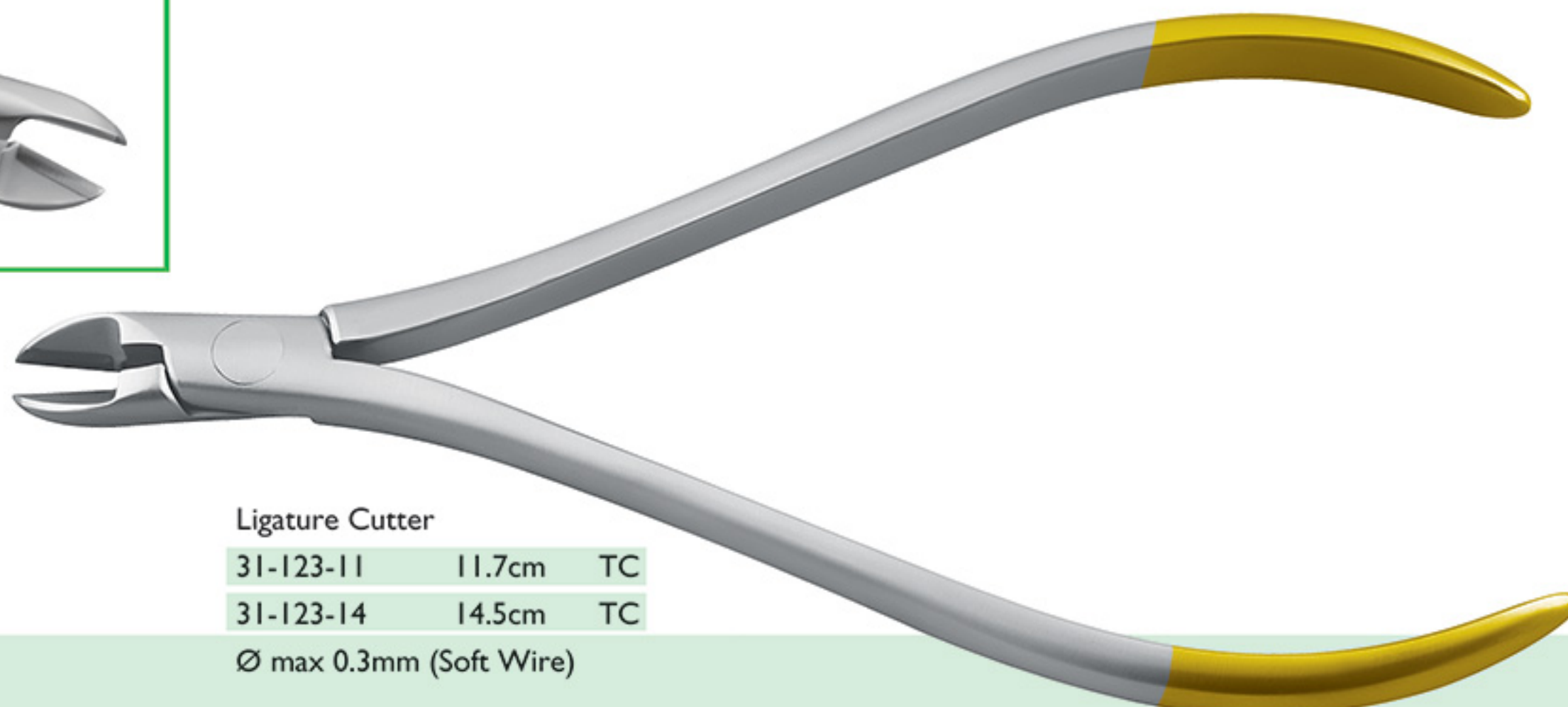
ORTHODONTIC PLIERS



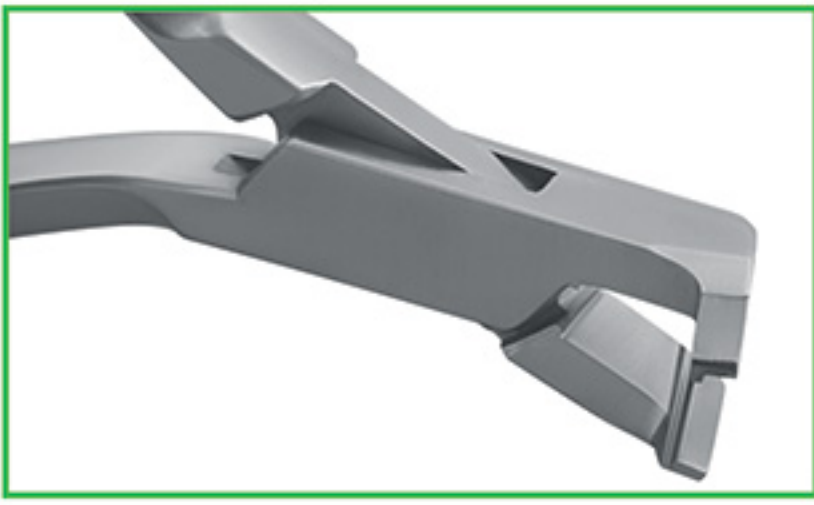
Wire Bending
Round Nose - Long Beak
31-186-14 TC
Ø max 0.4mm
14 cm



Stop (V-Bend)
31-187-14 TC
Ø max 0.5mm
14 cm



Ligature Cutter
31-123-11 11.7cm TC
31-123-14 14.5cm TC
Ø max 0.3mm (Soft Wire)

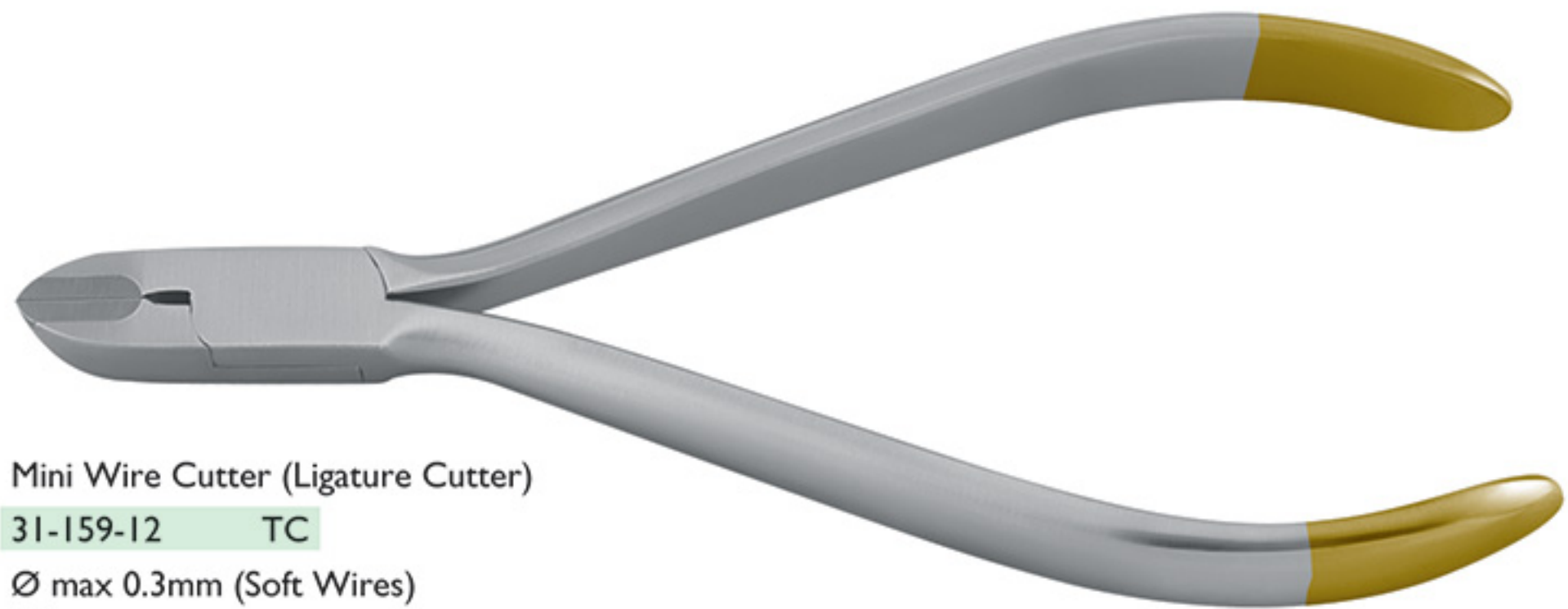
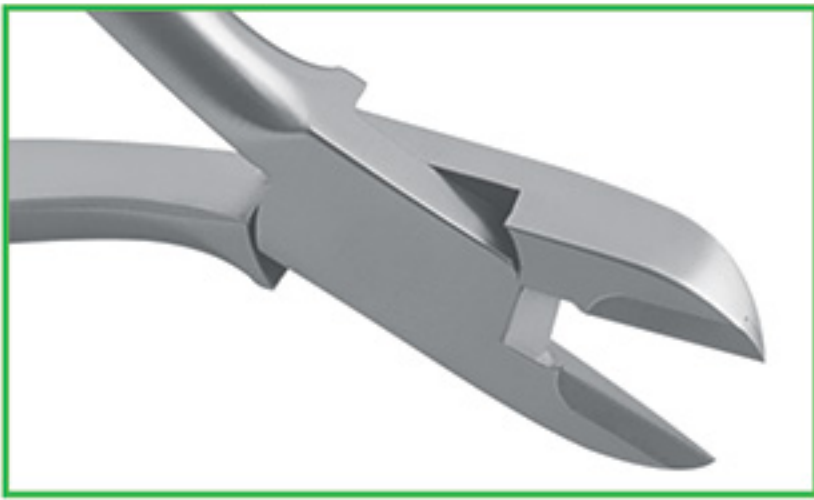


Safety Hold
Distal End Cutter

31-124-11 11.5cm TC

31-124-14 14.5cm TC

Ø max 0.55x0.64mm

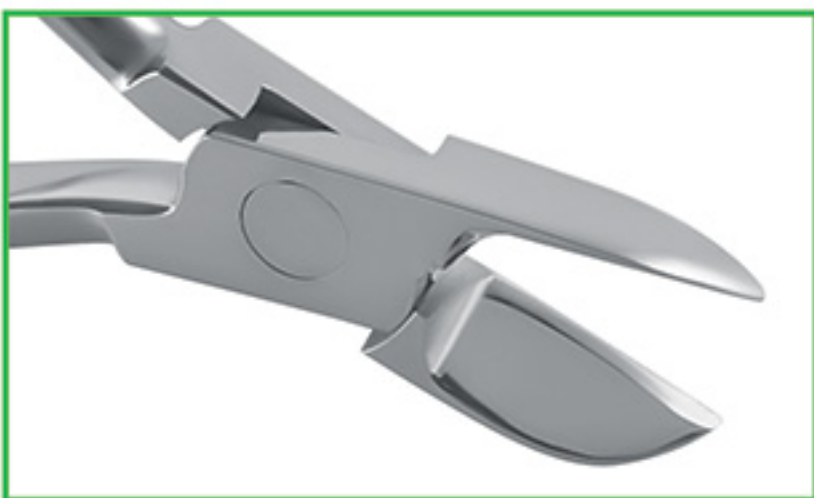


Mini Wire Cutter (Ligature Cutter)

31-159-12 TC

Ø max 0.3mm (Soft Wires)

12 cm



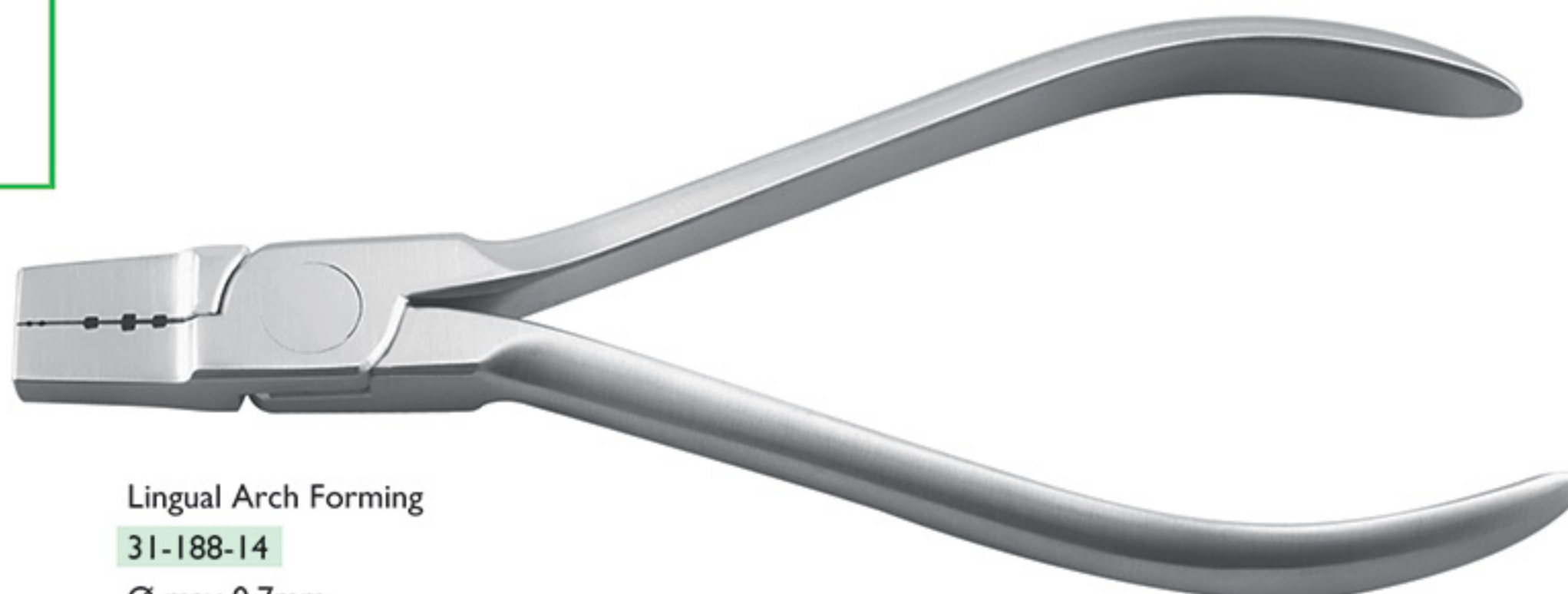
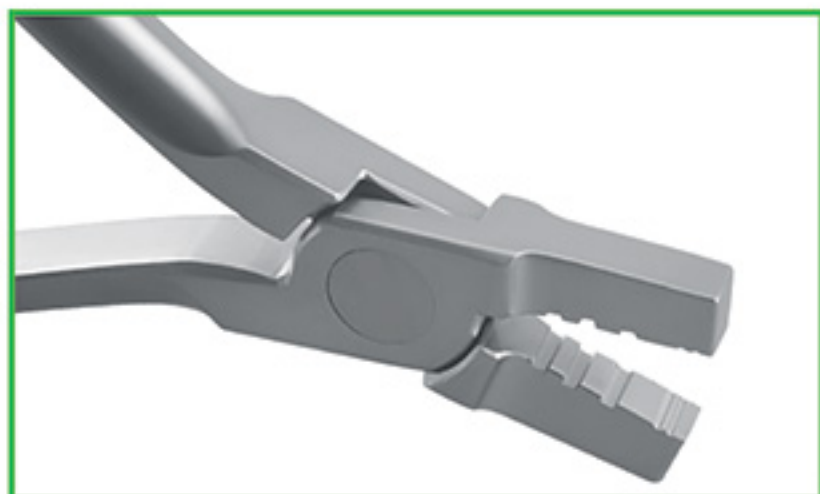
Wire Cutter

31-161-14

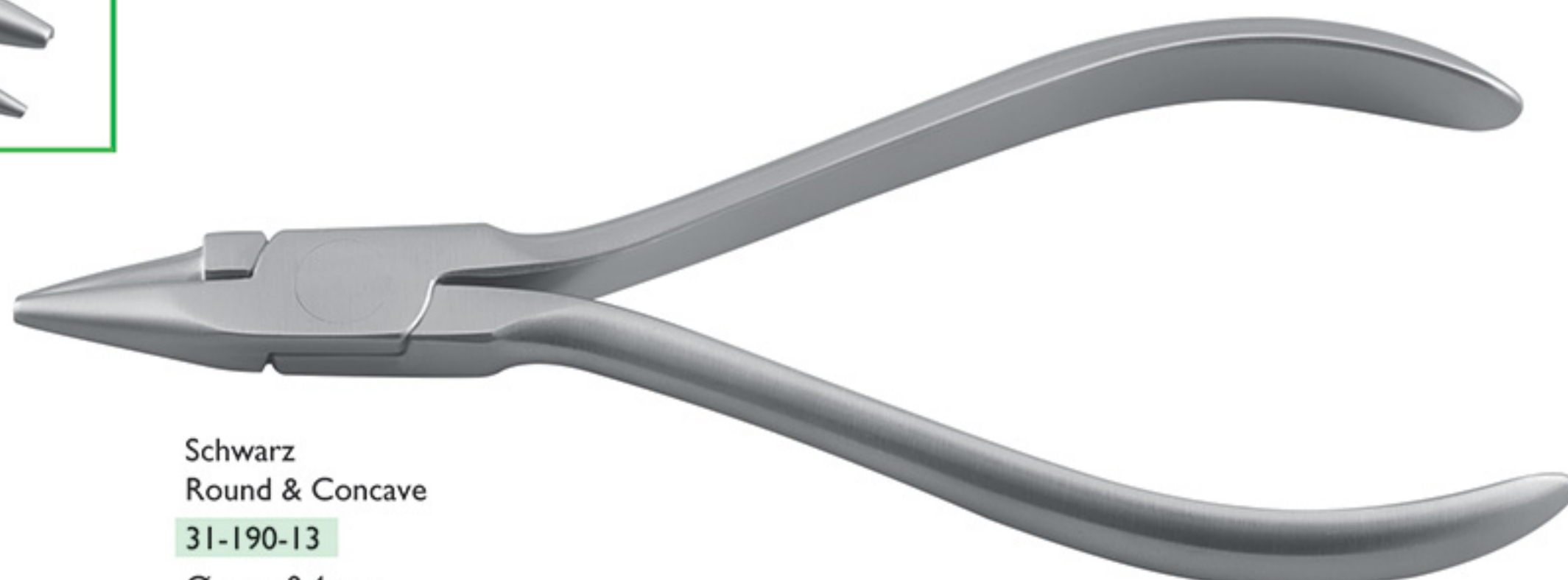
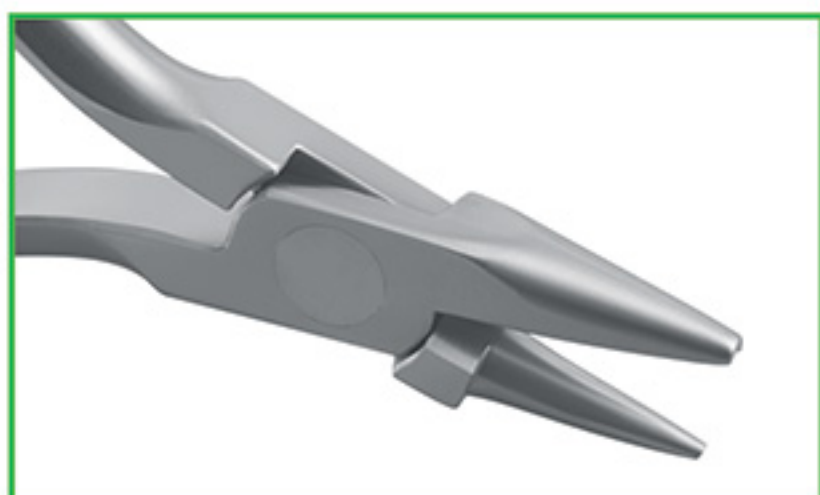
Ø max 0.7mm (Hard Wire)

14 cm

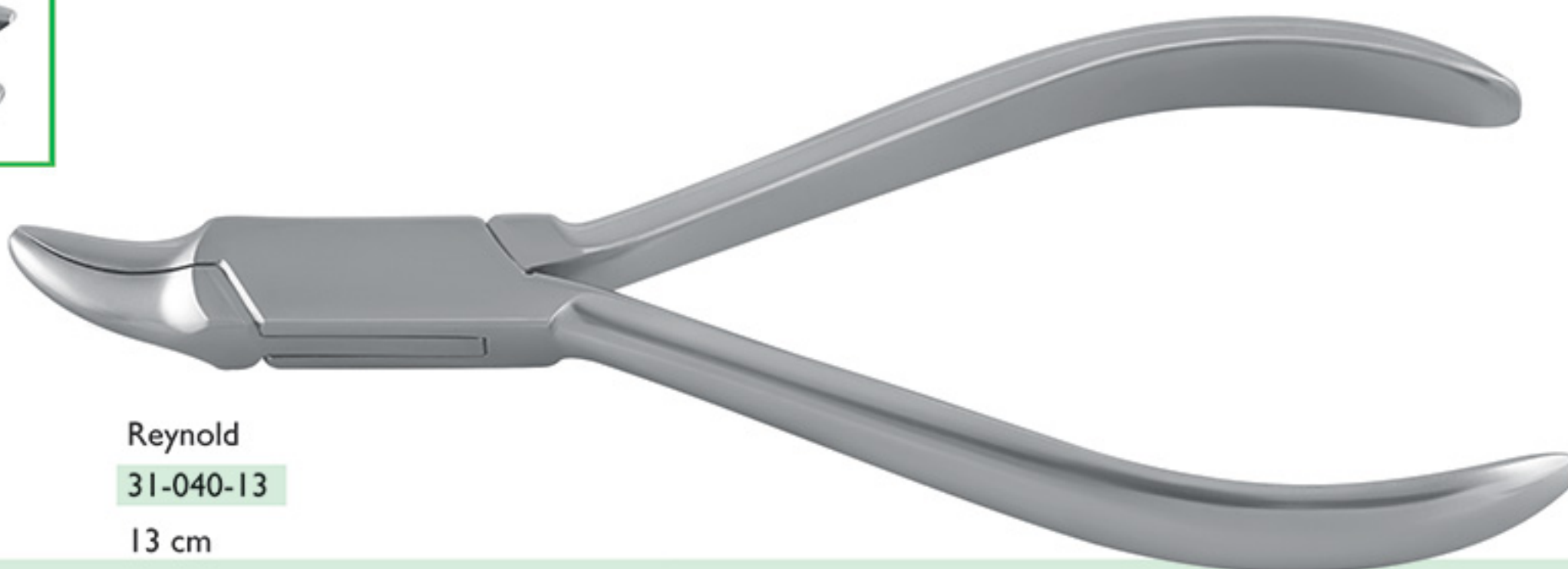
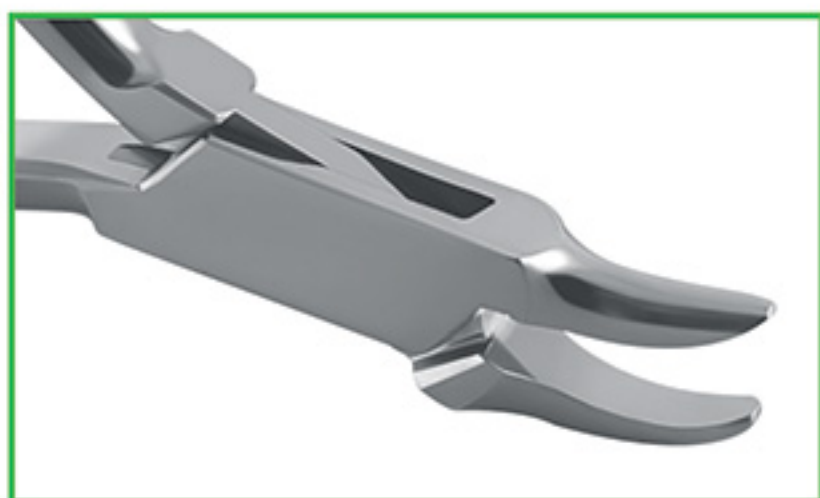
ORTHODONTIC PLIERS



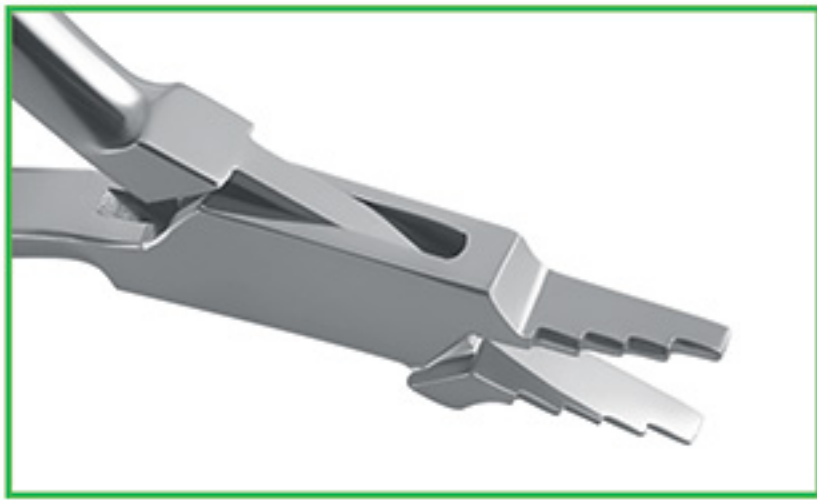
Lingual Arch Forming
31-188-14
Ø max 0.7mm
14 cm



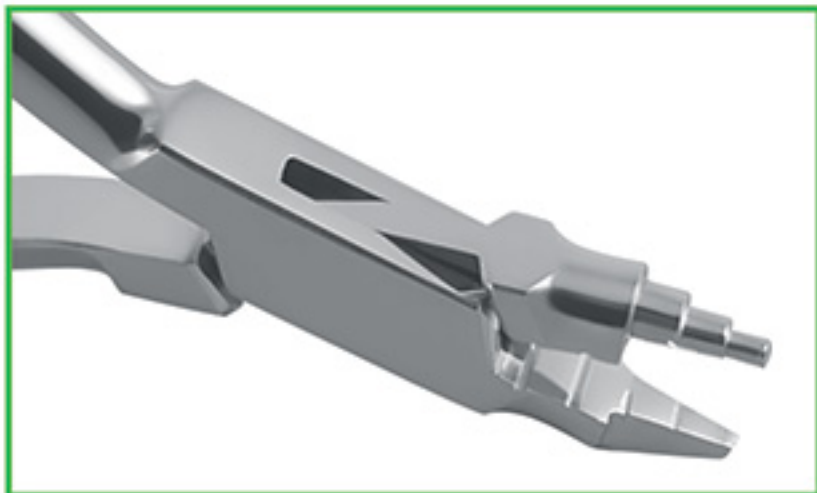
Schwarz
Round & Concave
31-190-13
Ø max 0.4mm
13.5 cm



Reynold
31-040-13
13 cm



Nance Loop Forming
31-050-13
Ø max 0.7mm
13 cm

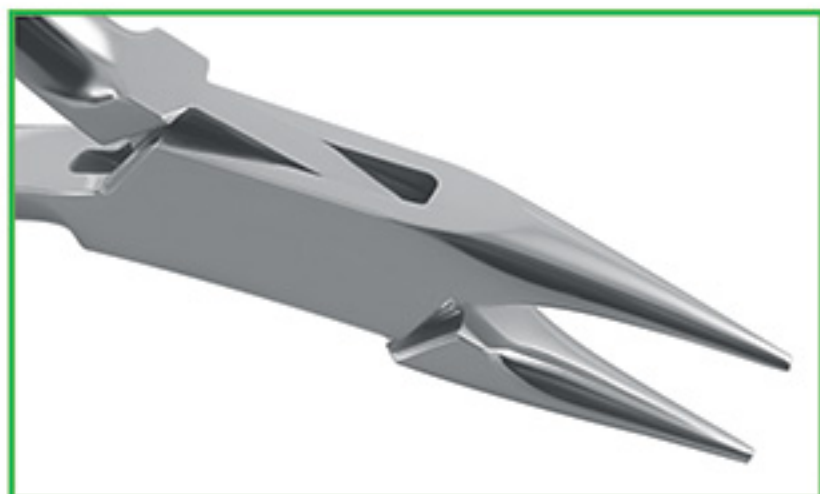


Young
Loop Forming
31-072-13
Ø max 0.5mm
13 cm

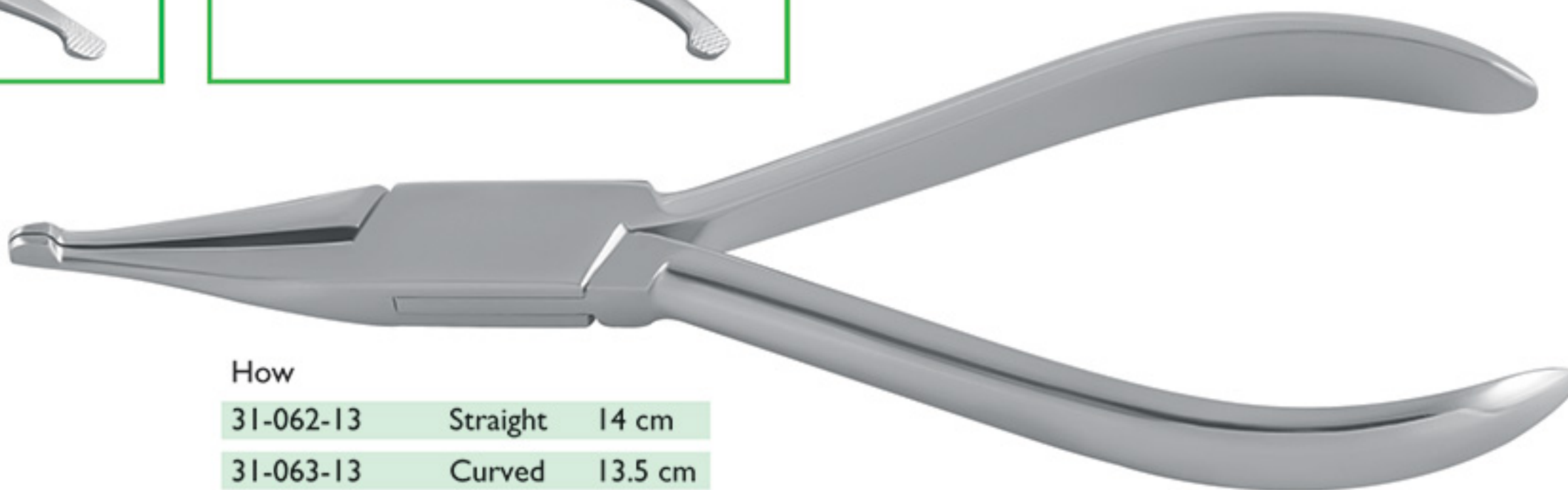
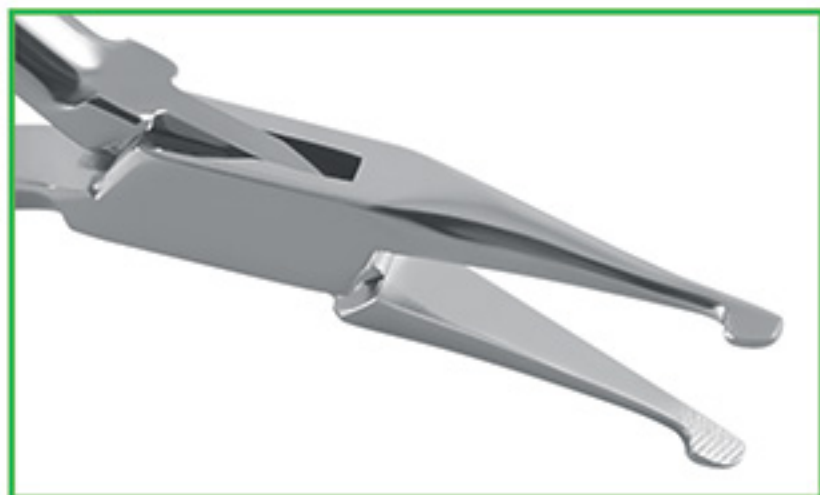


Johnson
31-039-12
12 cm

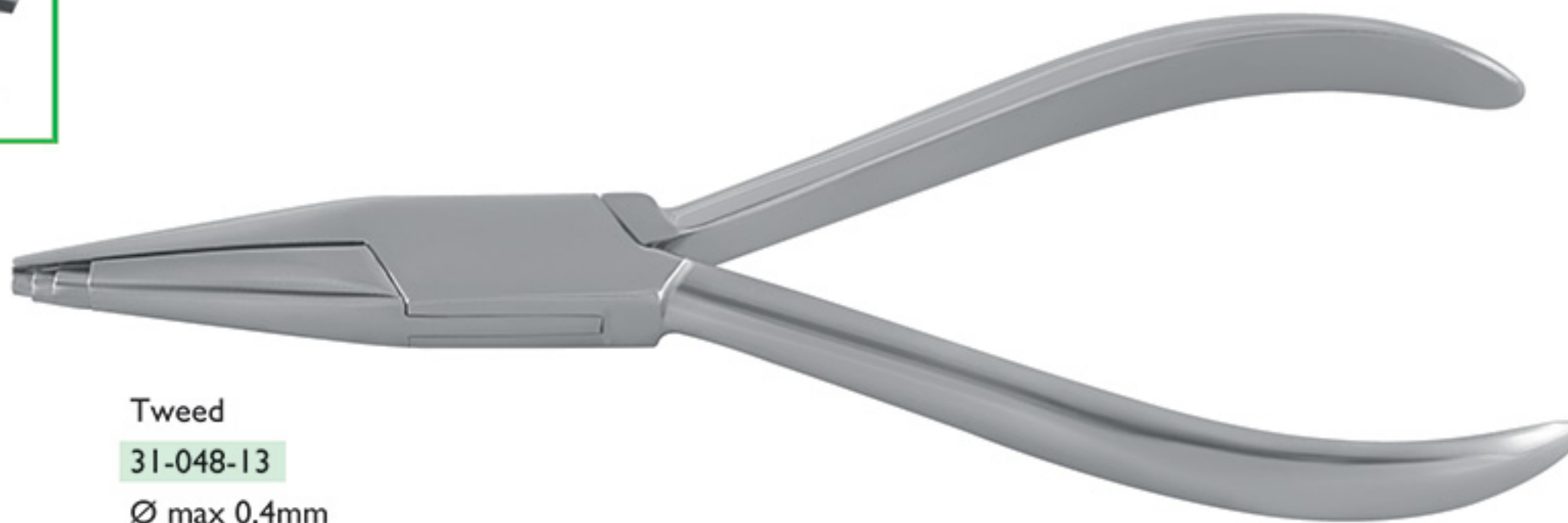
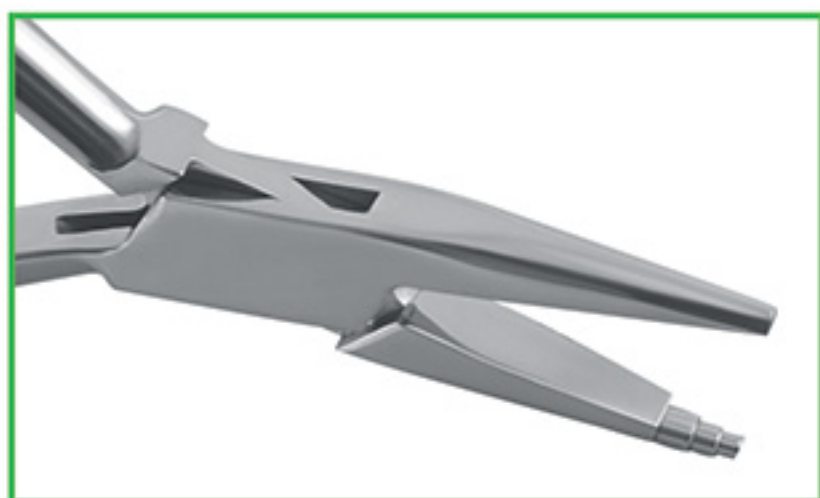
ORTHODONTIC PLIERS



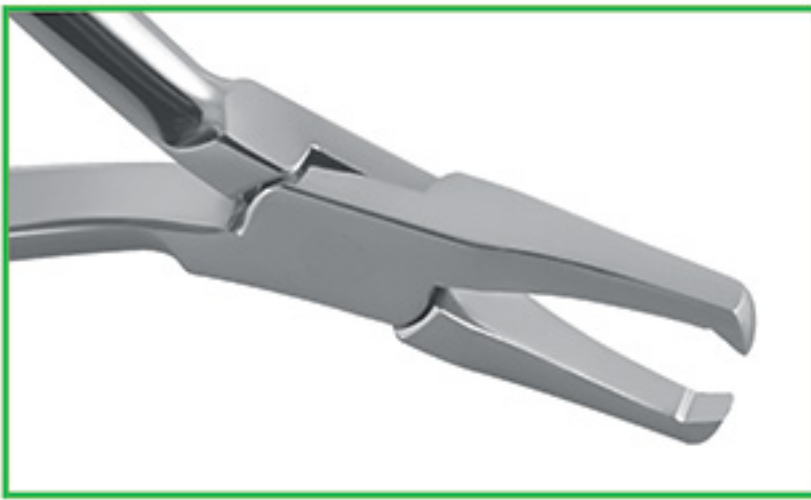
Round Nose
Wire Bending
31-022-14
Ø max 0.6mm
14 cm



How
31-062-13 Straight 14 cm
31-063-13 Curved 13.5 cm
Ø max 0.70mm



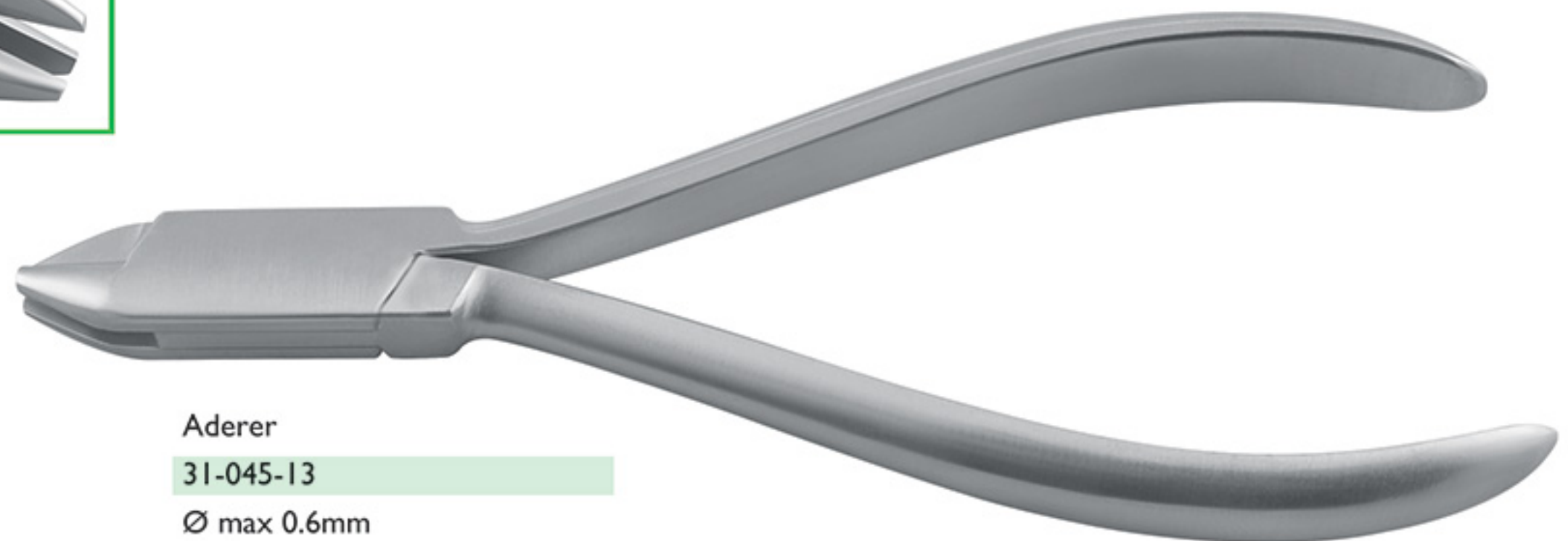
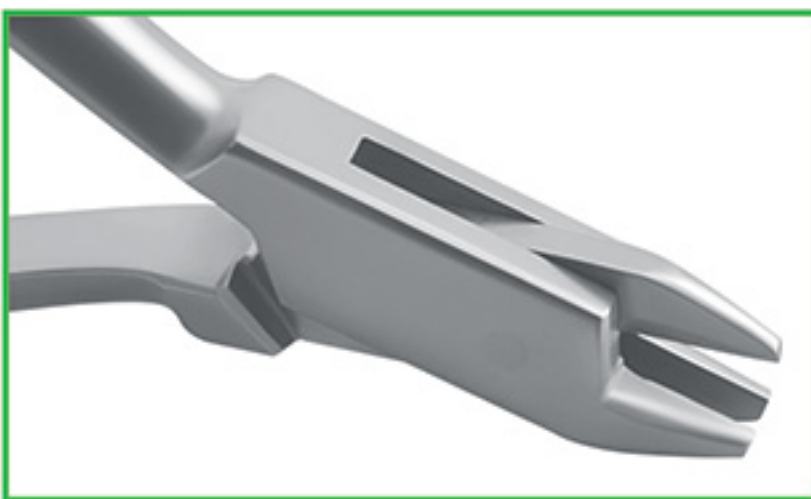
Tweed
31-048-13
Ø max 0.4mm
13 cm



Bracket Removing
Straight
31-150-12
12 cm

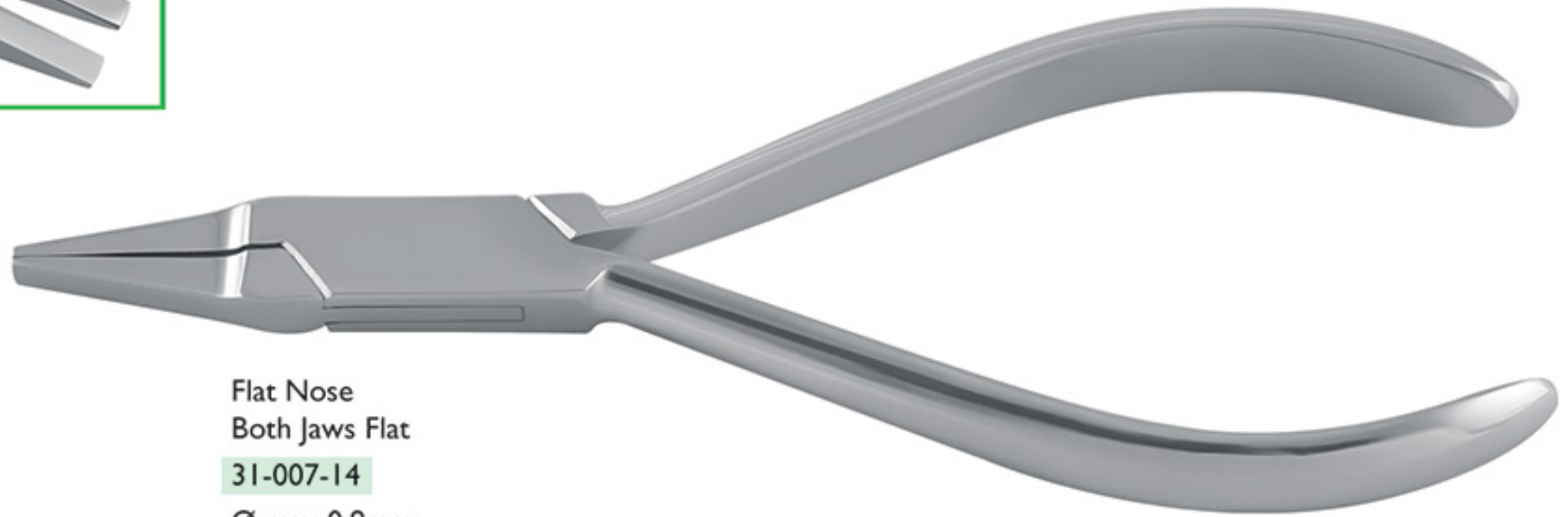
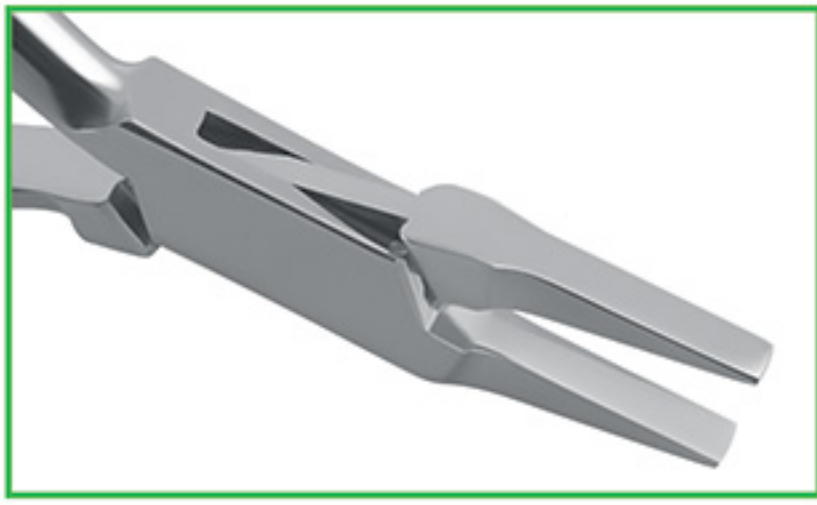


Universal
Pin Bending
31-074-15
Bends wire upto 0.9mm
Cuts wire upto 0.7mm
15.5 cm

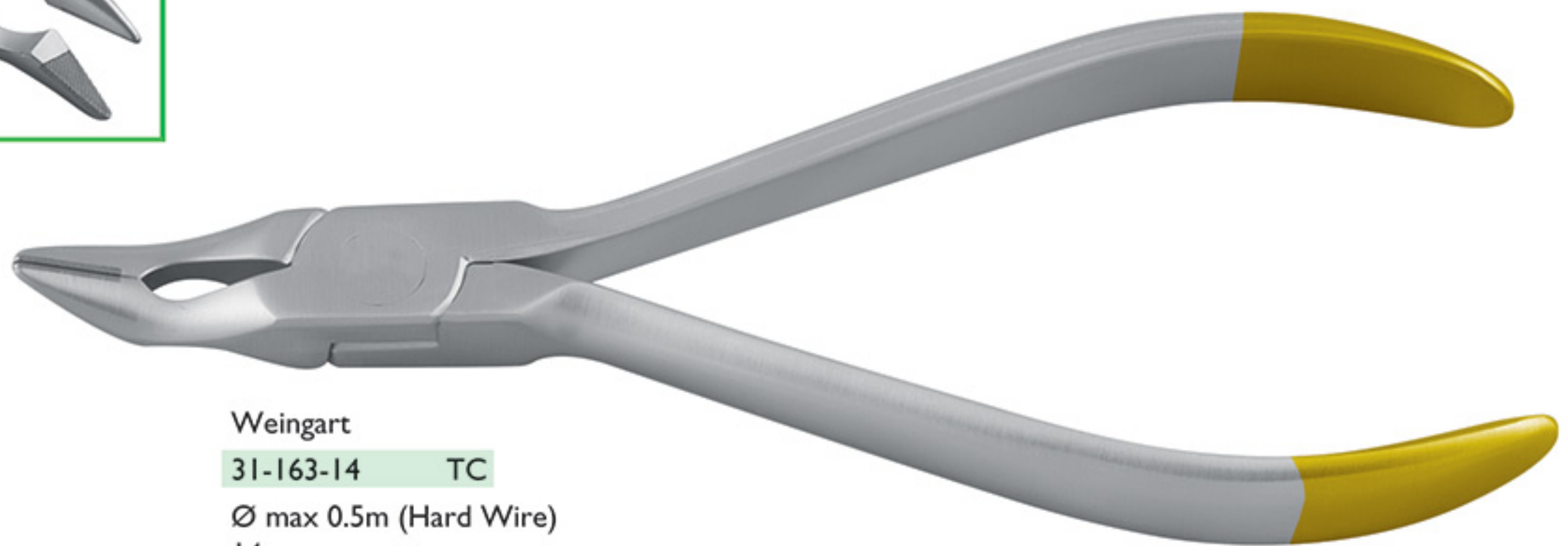


Aderer
31-045-13
Ø max 0.6mm
13.5 cm

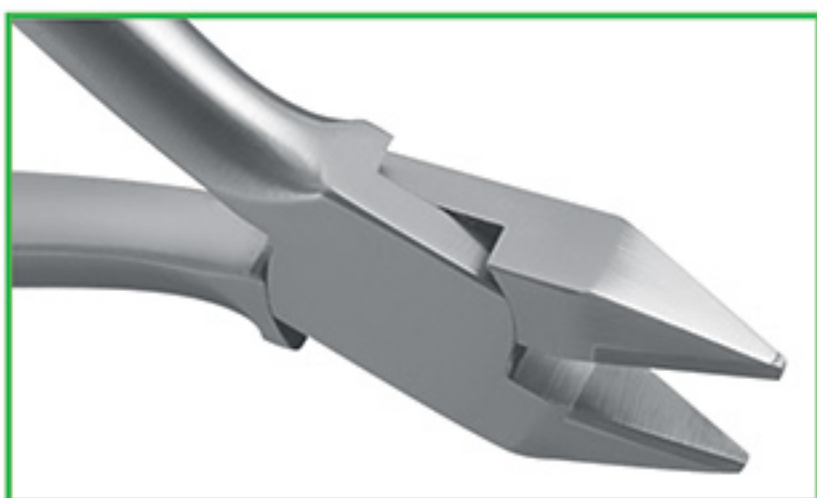
ORTHODONTIC PLIERS



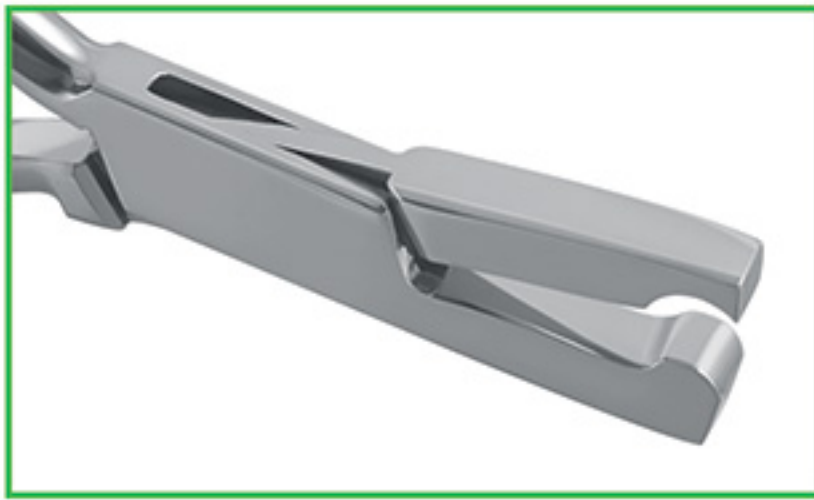
Flat Nose
Both Jaws Flat
31-007-14
Ø max 0.8mm
14 cm



Weingart
31-163-14 TC
Ø max 0.5m (Hard Wire)
14 cm



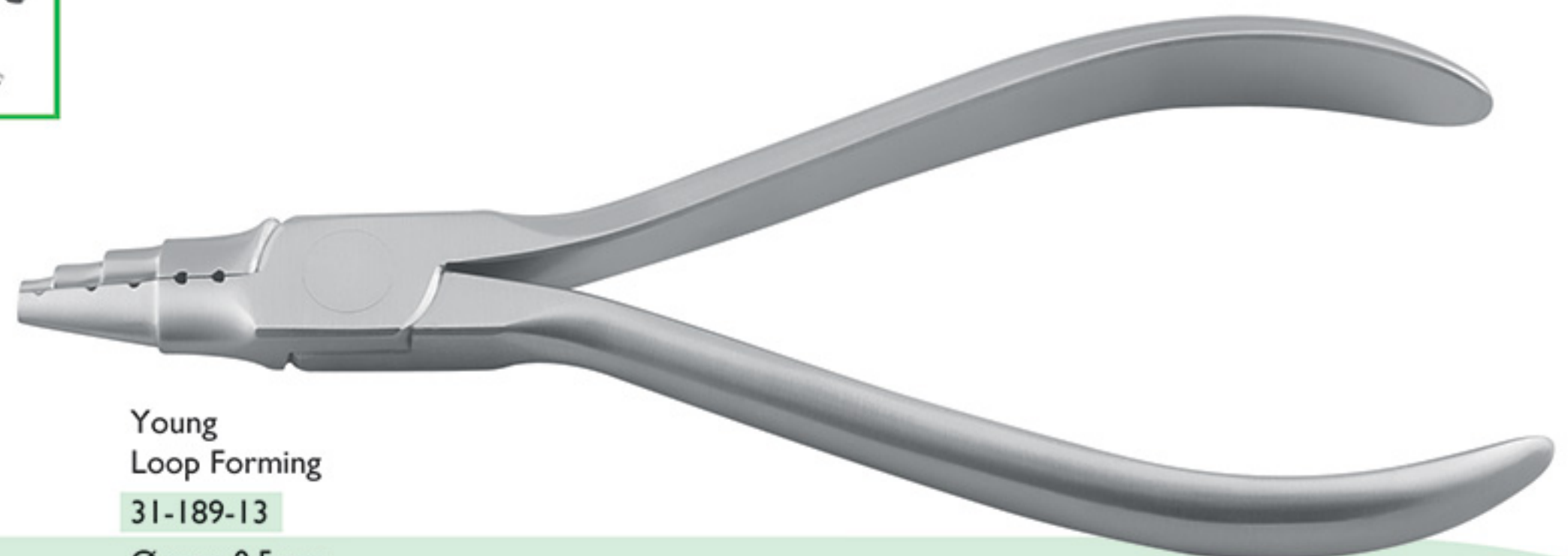
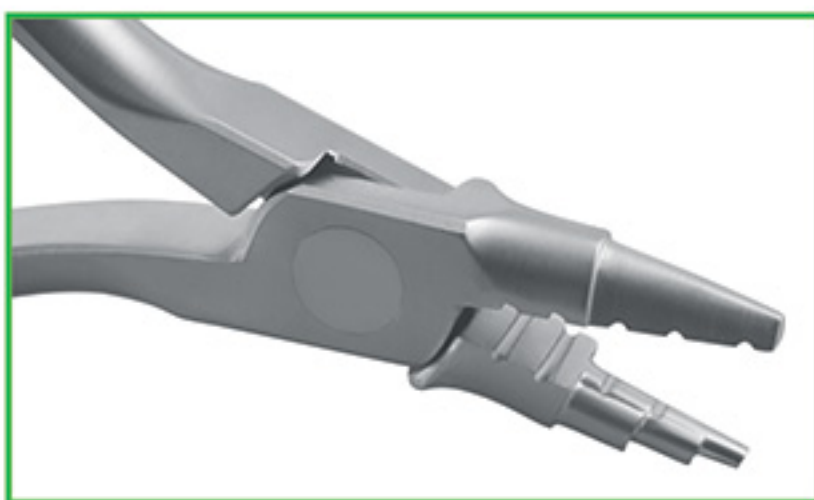
Adams
31-188-15 TC
Ø max 0.7mm
15 cm



De La Rosa
31-091-14
Ø max 0.4m
14 cm



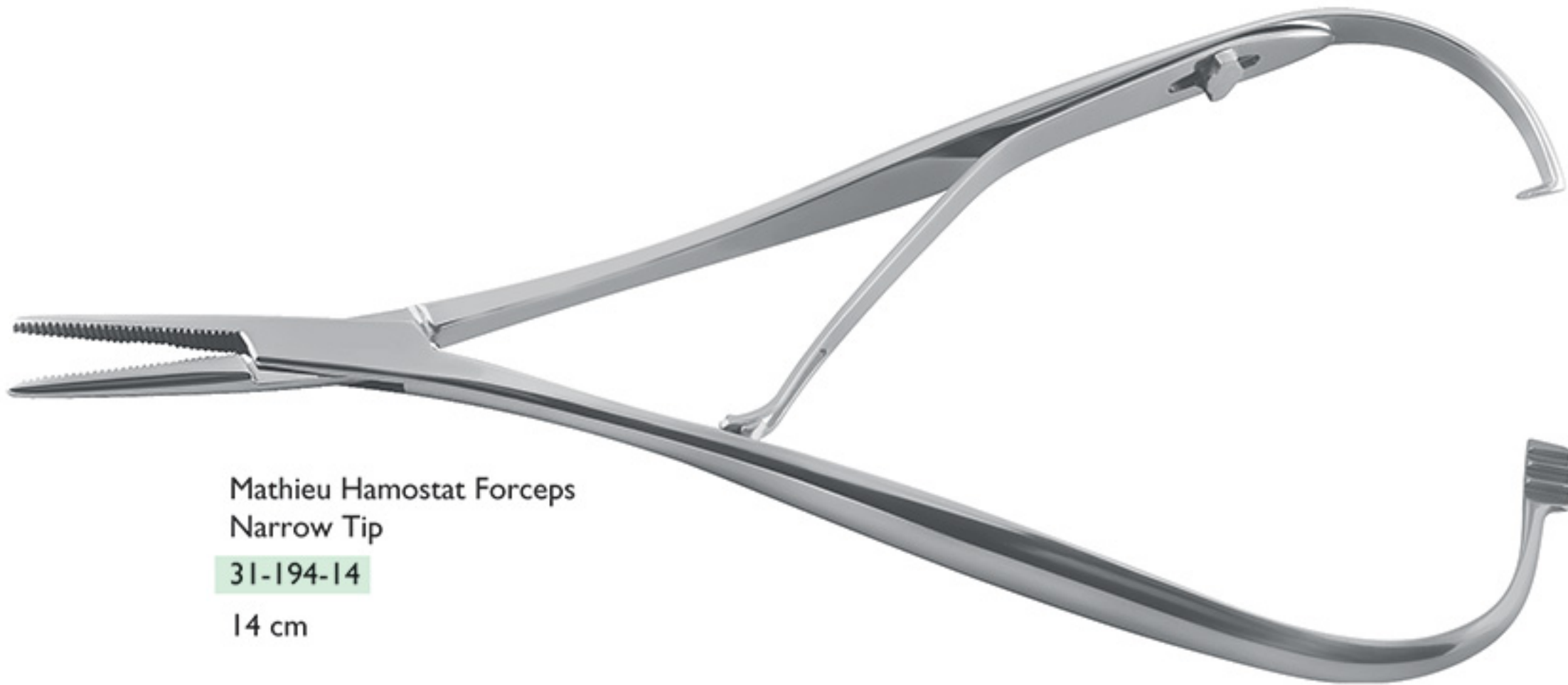
Adams Wire Bending
31-031-12
Ø max 0.4m
12.5 cm



Young
Loop Forming
31-189-13
Ø max 0.5mm
13 cm



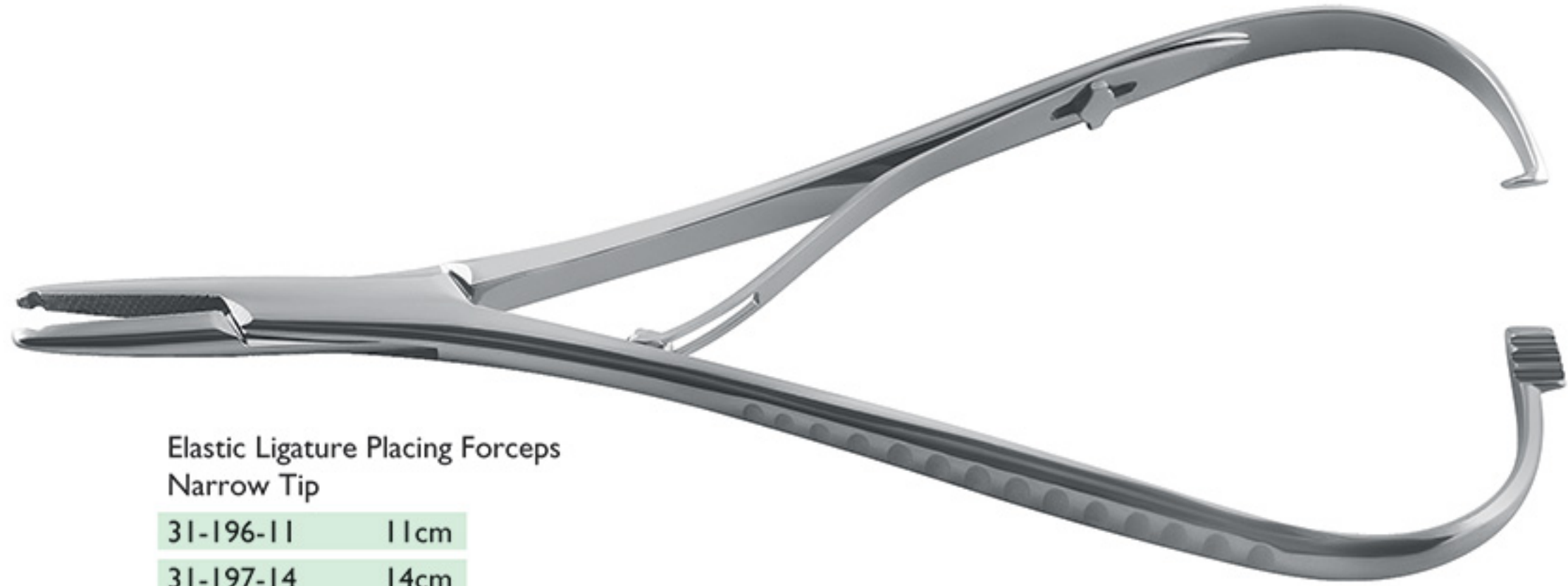
Smaha Ligature Forceps
Slim, Smooth Handles
31-191-14 Straight
31-192-14 Curved
14 cm



Mathieu Hamostat Forceps
Narrow Tip
31-194-14
14 cm



Mathieu Holder
31-195-14
14 cm



Elastic Ligature Placing Forceps
Narrow Tip

31-196-11 11cm

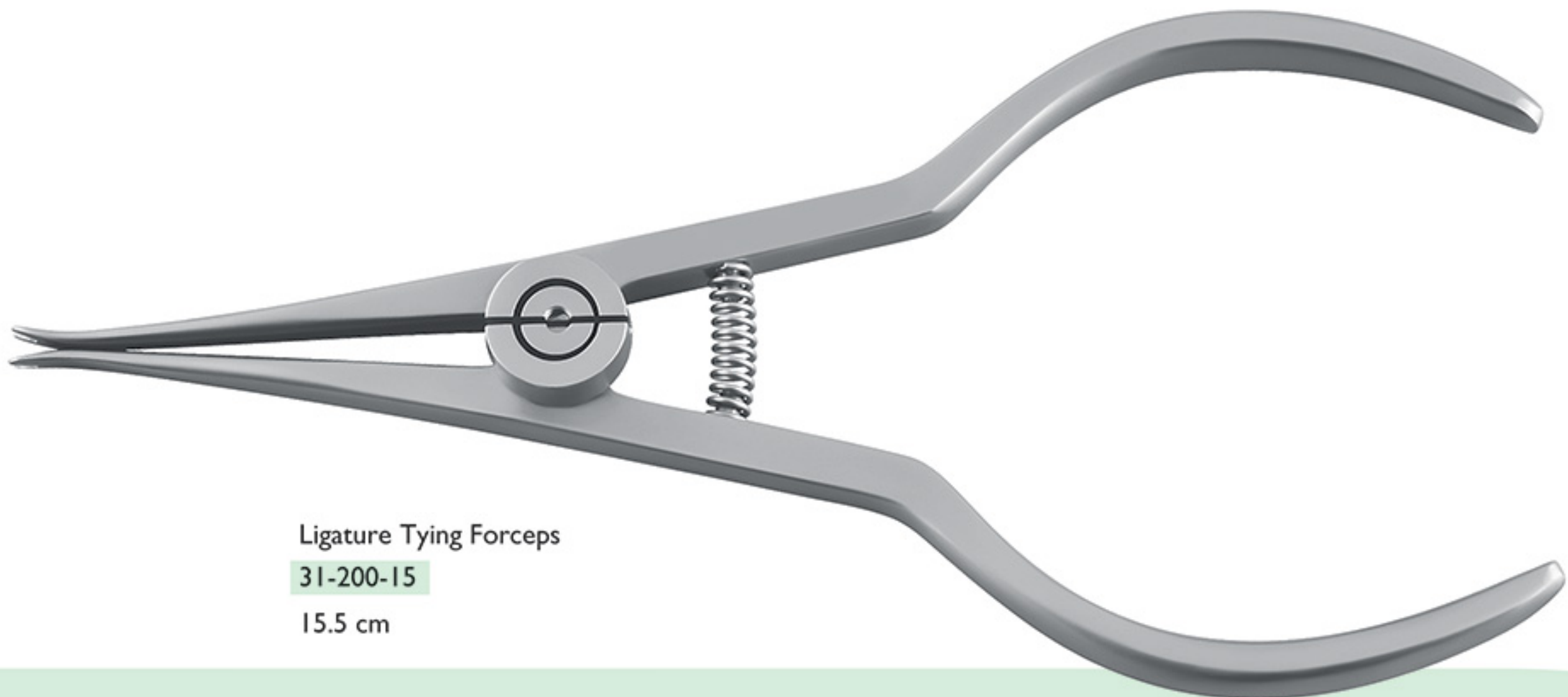
31-197-14 14cm



Separating Pliers

31-198-15

15.5 cm



Ligature Tying Forceps

31-200-15

15.5 cm



Mosquito - Straight
31-202-12
(18-006-12)
12 cm



Mosquito - Curved
31-204-12
(18-007-12)
12 cm



Beebee- Straight
31-206-10
(16-366-10)
10.5 cm



Beebee - Curved
31-208-10
(16-367-10)
10.5 cm



Universal
Wire Cutter - Angled
31-210-12
(16-370-12)
12 cm



Bracket Placing
31-212-12
12 cm



Buccal Tweezers
31-214-12
12 cm



Bracket Placing
31-216-13
13.5 cm



Bracket Placing
31-218-13
13.5 cm



Bracket Placing
31-220-12
12 cm



Bracket Holding
31-222-13
13 cm



Bracket Holding
31-224-13
13.5 cm



Bracket Holding
31-226-13
(AO-181-00)
13.5 cm



Bracket Holding
31-228-14
14 cm



Bracket Holding
31-230-14
14 cm



Posterior Bracket Positioner
31-169-00



Height Gauge (Aluminium)
31-176-18



Height Gauge (Aluminium)
31-176-22



Separating Strip Placer
31-232-00
(A0-201-00)



Endo Ruller (Finger Type)
31-234-00
(A0-199-00)



Bracket Positioning Gauge
Edges: 3.5, 4.0, 4.5 & 5.0 mm
31-177-00

HANDLES AND MOUTH MIRRORS



Mirror Handle
Round, Solid
31-236-00



Mirror Handle
Octagonal
31-238-00
(24-009-00)



Mirror Handle
Hollow
31-240-00
(24-010-00)



Mirror Handle
Hollow
31-242-00
(24-001-00)



Mirror Handle
Hollow
31-244-00
(24-011-00)



Plane
31-246-03 #3
(24-063-03)
31-246-04 #4
(24-063-04)
31-246-05 #5
(24-063-05)

Front Surface
31-248-03 #3
(24-066-03)
31-248-04 #4
(24-066-04)
31-248-05 #5
(24-066-05)

Magnifying
31-250-03 #3
(24-062-03)
31-250-04 #4
(24-062-04)
31-250-05 #5
(24-062-05)



Ligature Instrument
31-252-00



Ligature Instrument
31-254-00
(31-071-00)



Elastic Instrument
31-256-00
(31-174-00)



Distal Bender
31-258-00



Distal Bender
31-260-00
(31-170-00)



Distal Bender
31-262-00



Band Seater
Available in Different Colors

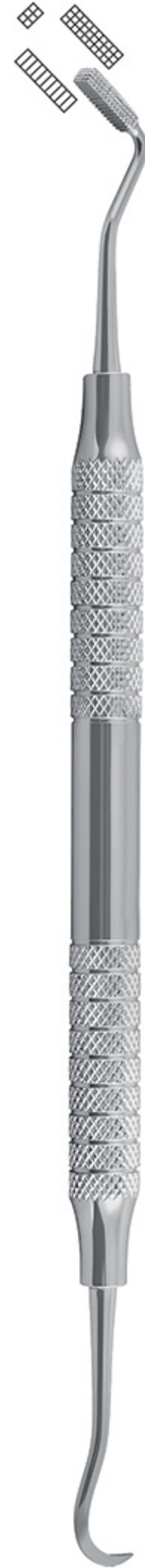
- 31-180-01
- 31-180-02
- 31-180-03
- 31-180-04
- 31-180-05
- 31-180-06



Mershon Band Pusher
31-264-14
(28-168-00)
14cm



Band Seater
31-266-15
15cm



Band Seating & Removing
31-268-00



Adhesive Remover
31-270-00



Perry
02-002-13
13cm



London College
02-008-02
15cm



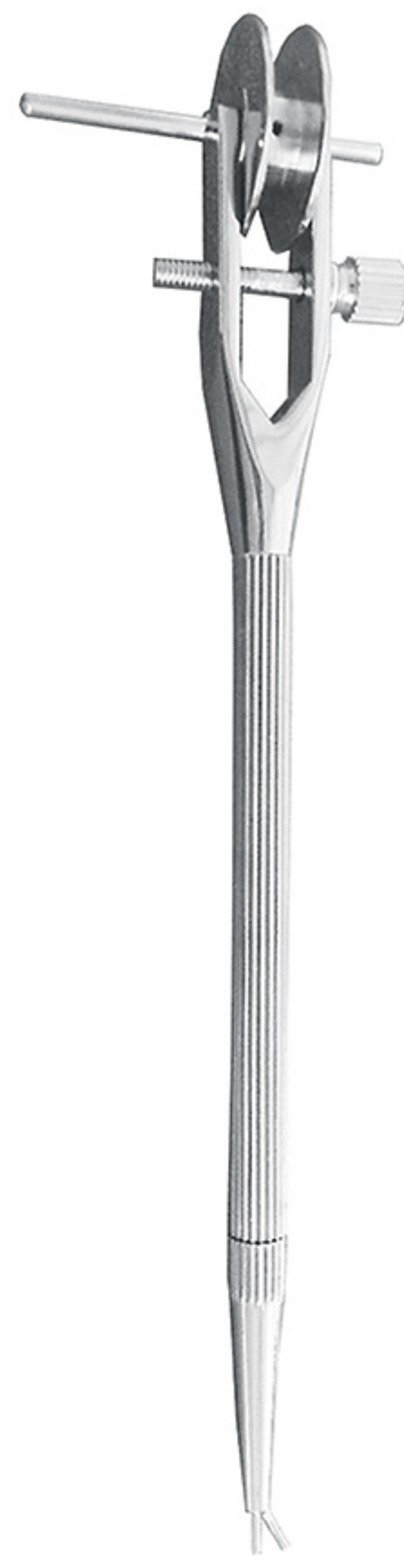
Explorer
31-272-00



Explorer
31-274-00



Cement Spatula
31-276-00



Ligature Pencil
22-098-00

www.maarain.com

Certified:

ISO 9001:2015

ISO 13485:2016

ISO 14001:2016

cGMP - FDA (USA)

CE 0120



M.A. ARAIN & BROTHERS

Mailing Address:

P.O. Box: 432, Sialkot-Pakistan

Factory:

Wazirabad Road, Sialkot-Pakistan.

Phone: +92 52 4264926 & 4264571

Fax: +92 52 4264759 & 4264026

E-mail: info@maarain.com

URL: www.maarain.com