



Gynecology Instruments Catalogue



M.A. ARAIN & BROTHERS
Taking the pain out of medical procurement

Introduction

M.A.Arain & Brothers (Pvt) Ltd. pursues the 21st century vision of becoming a true global leader who can make its customers worldwide through its quality products and services.

We are dedicated to manufacturing and marketing instruments those provide practical solutions to real life problems, and meet the needs of our customers. We insist on high quality, efficient manufacturing, teamwork, and integrity, growing from our deep respect and honor for God, our employees, our vendors, our customers and all our other stakeholders.

We stand behind every product we offer. Each of us, from the production department to the sales department makes customer satisfaction a top priority.

The careful management of people and projects ensures we continue to enjoy our reputation for providing excellent quality services to our customers.

The most important part of our philosophy is to work in partnership with clients and this requires, in our view, direct contact between our clients and us from the word go.

We Aim:

- To listen to our customers and exceed their expectations, ensuring they are completely satisfied with our products, services and support so that they will continue working with us.
- To continue expanding our research programs in progressive technologies.
- To secure international recognition by adopting a global rather than local perspective and by achieving excellence in the quality of our instruments.
- To continue building our excellent team of top professionals through controlled expansion, selective recruitment and by creating an informal and challenging work environment.

Biopsy Forceps	01
Vaginal Specula	10
Curettes	13
Uterine Curettes	14
Sound	16
Dialators	17
Pelvimeter, Retractors & Punches	20
Tannaculam Forceps	21
Uterine Polypus	23
Obstetrical Forceps	26
Vaginal Specula Insulated	28
Retractor and Speculams Insulated	29
Hooks and Forceps Insulated	30
Speculams, Retractors, Forceps and Hooks Laser	31

table of contents



THOMAS GAYLOR
 52.0691.22 22 cm
 52.0695.24 24 cm



MEDINA FORCEP
 52-1120-02 2mm
 52-1124-03 3mm
 52-1128-04 4mm
 52-1132-05 5mm
 24 cm



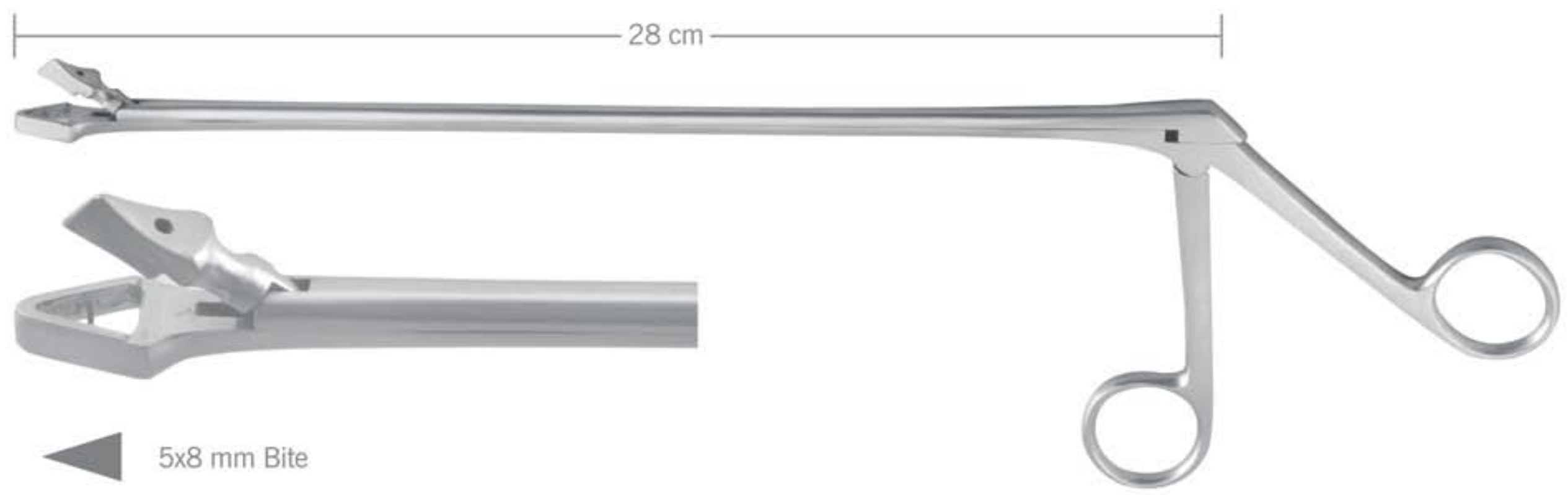
GELLHORN
 52-0703-23
 23 cm



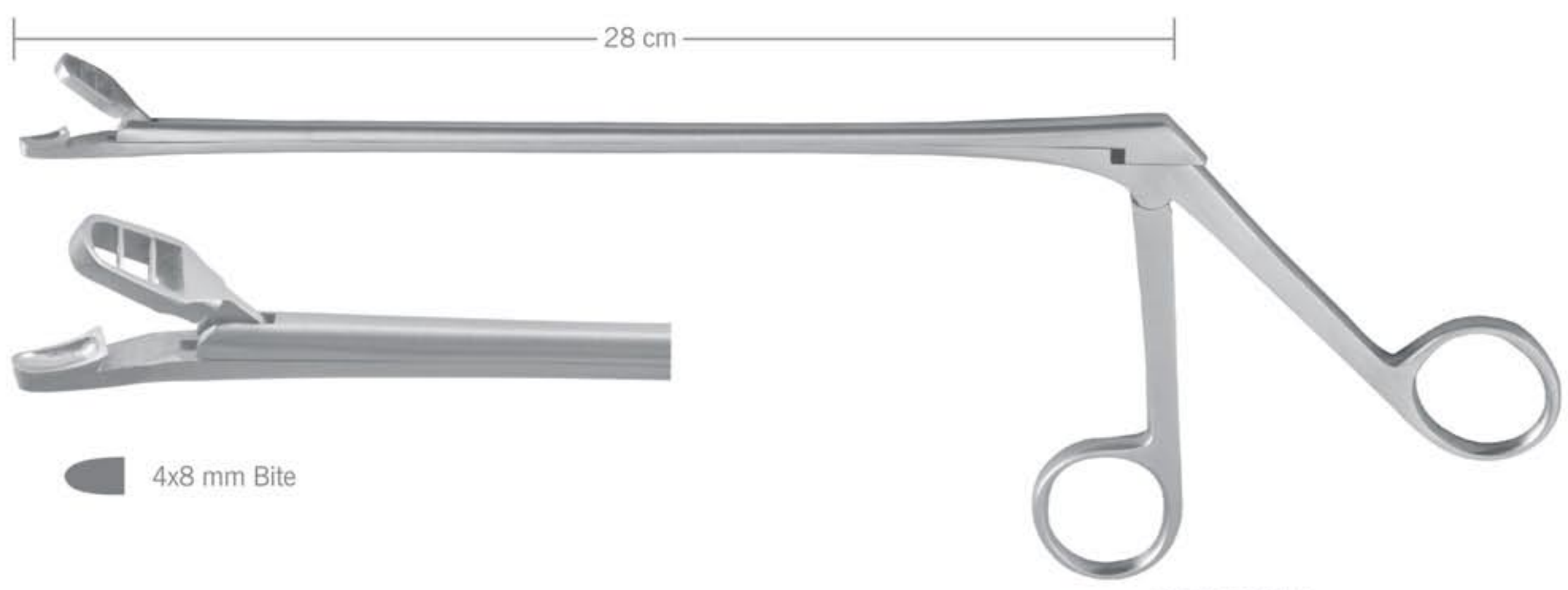
SCHUBERT
52-0715-26
26 cm



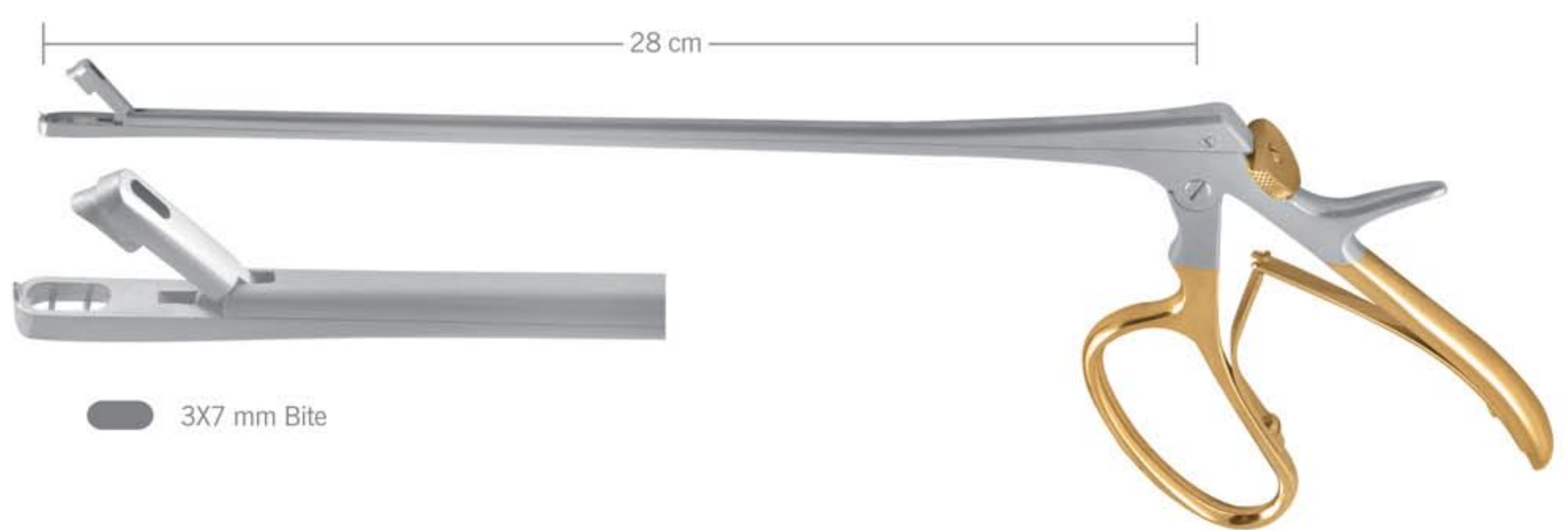
VAN DOREN
52-0679-24
24 cm



SCHUMACHER
52-0666-01
52-0670-02
28 cm



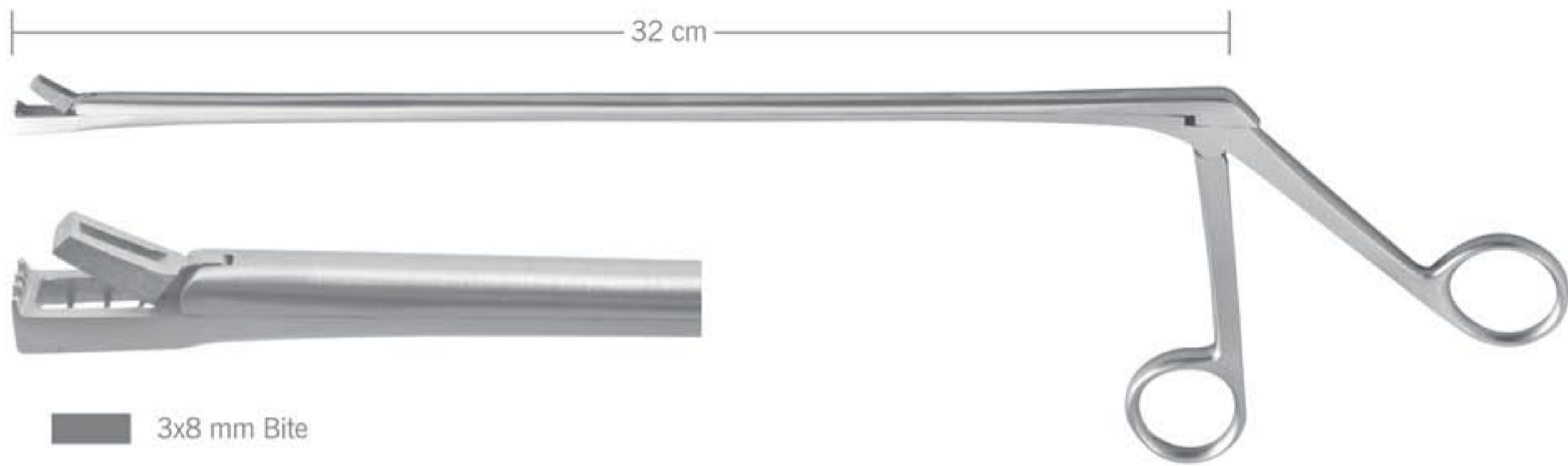
ALEXANDER
52-0642-28
28 cm



MORGAN TICHLER
52-1136-28
28 cm

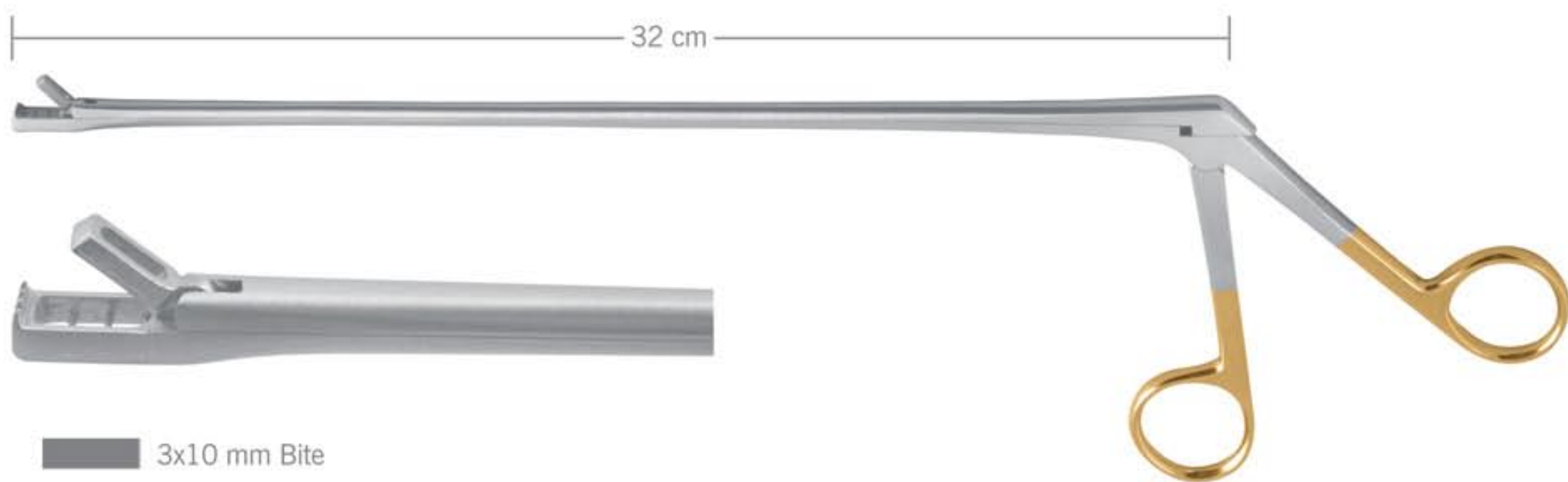


Biopsy Forceps



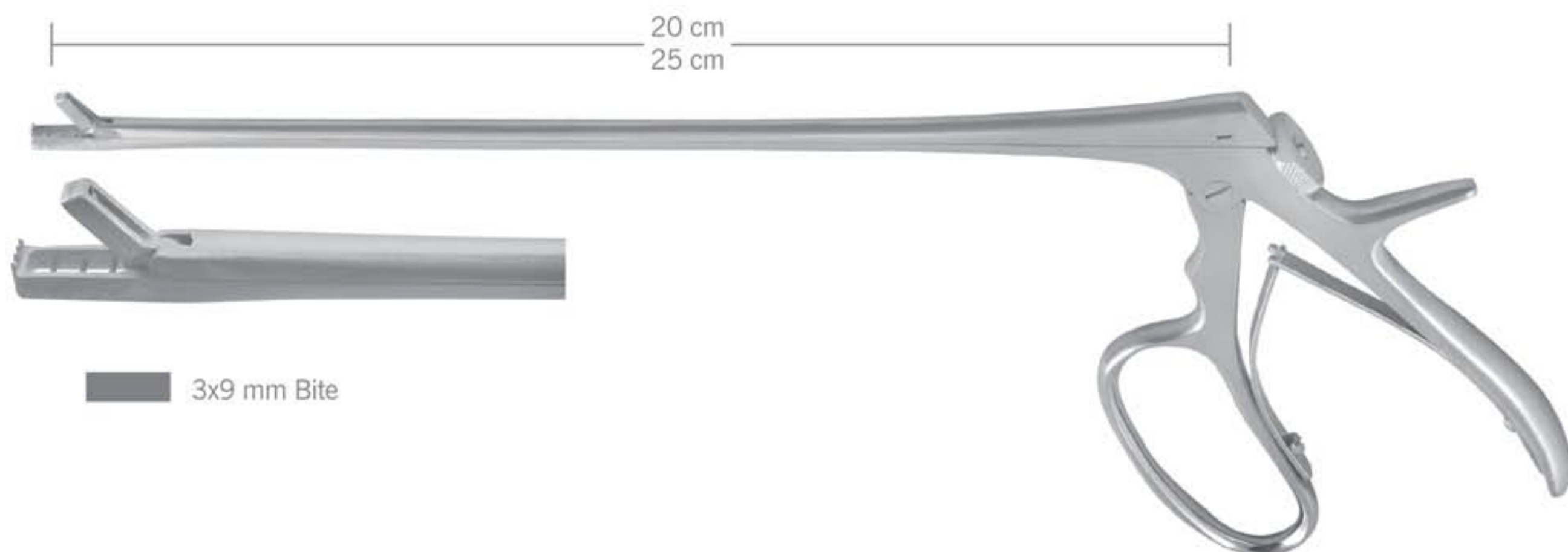
3x8 mm Bite

KEVORKIAN
52-1140-32
32 cm



3x10 mm Bite

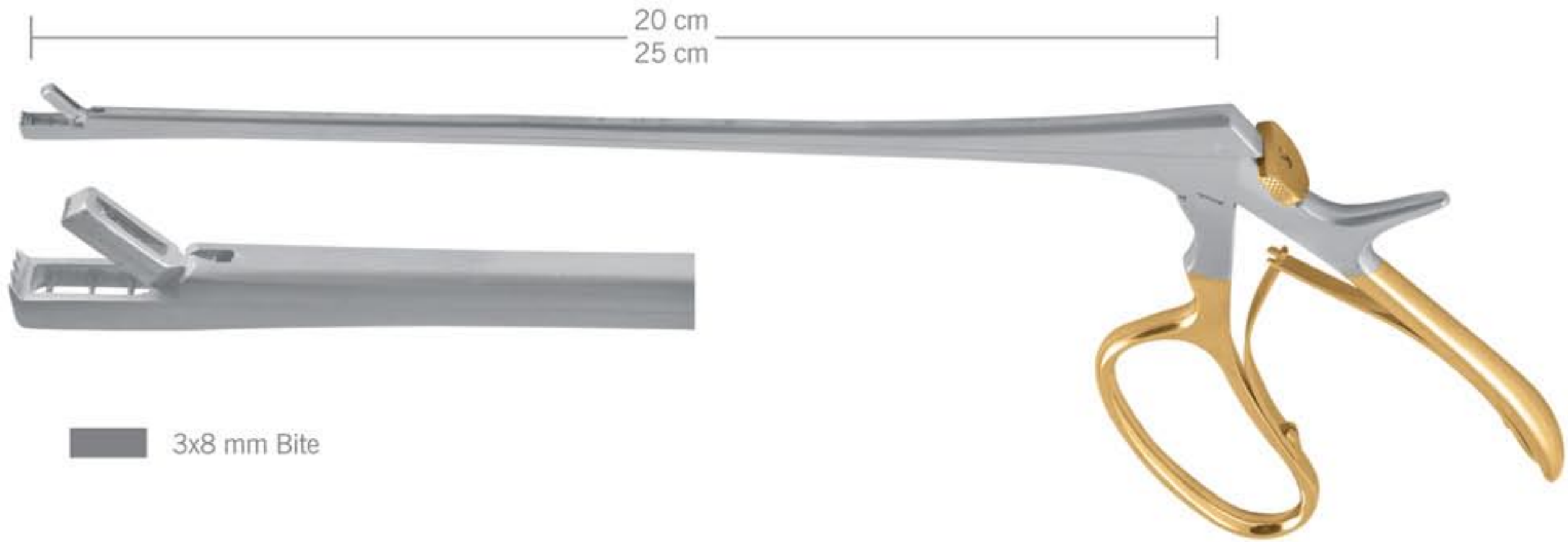
KEVORKIAN-YOUNG
52-1144-32
32 cm



3x9 mm Bite

KEVORKIAN
52-1148-20 20 cm
52-1152-25 25 cm

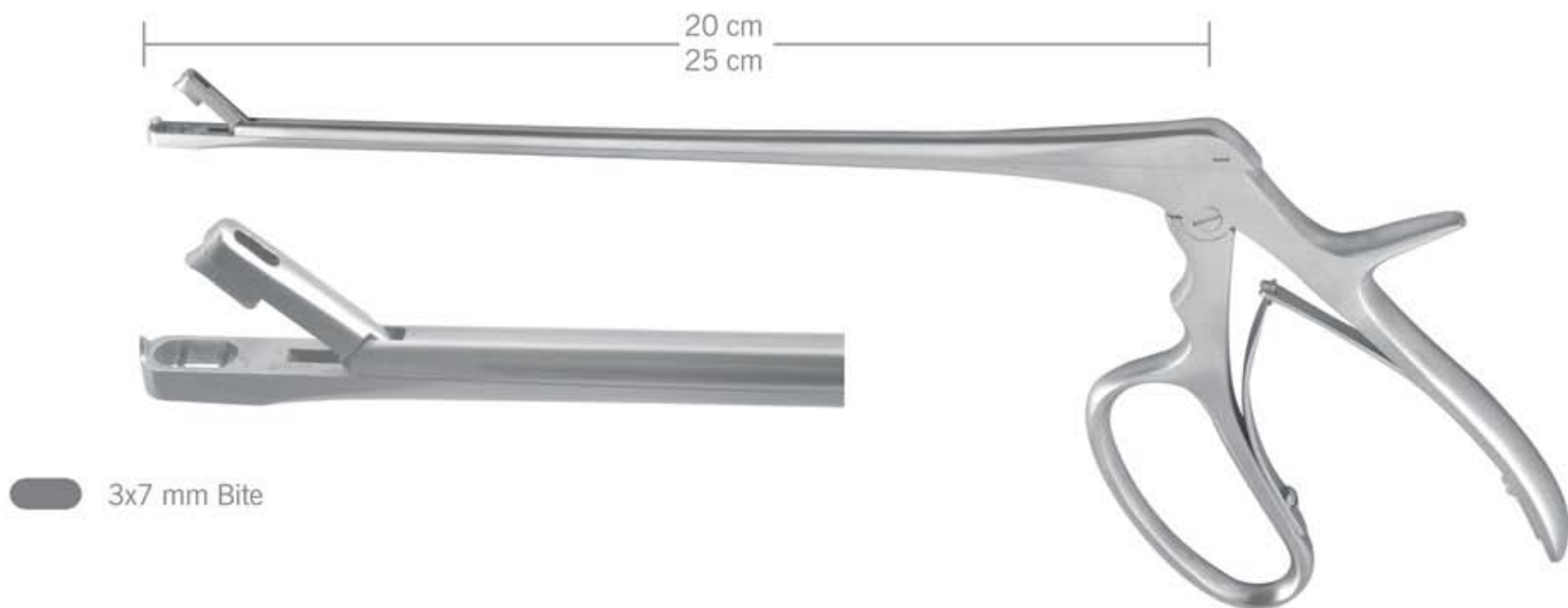
Biopsy Forceps



KEVOURKIAN PACIFIC
52-1156-20 20cm
52-1160-25 25cm

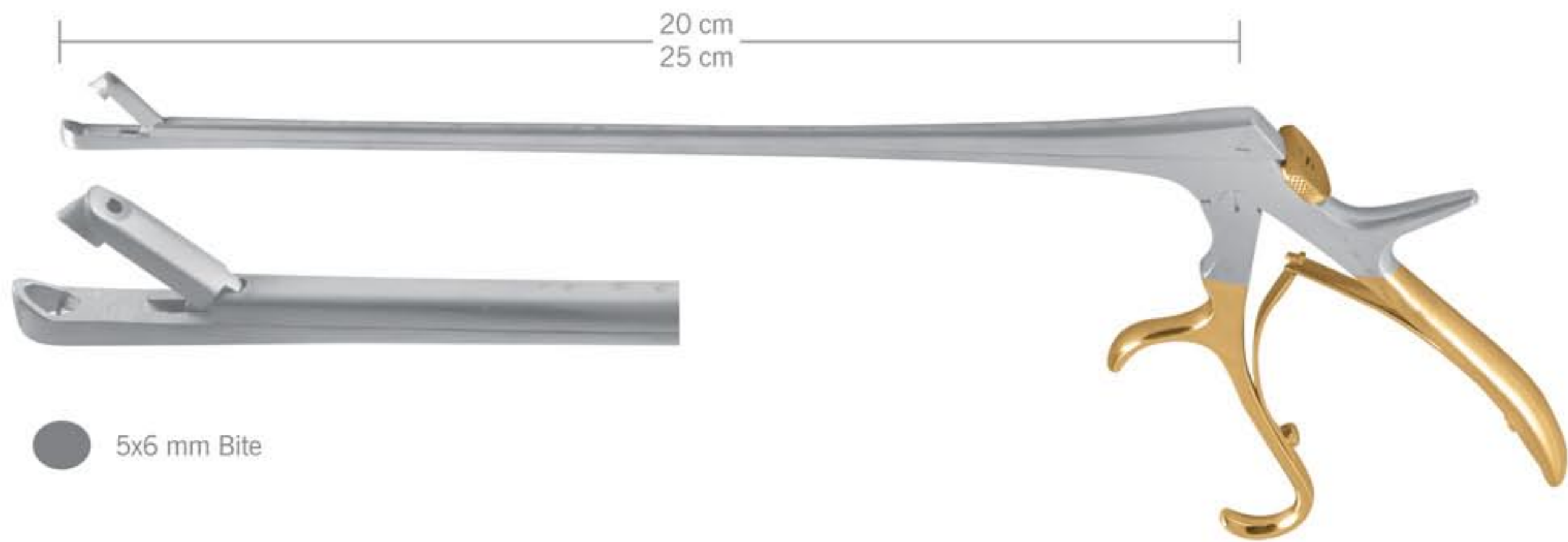


KEVOURKIAN
52-1164-28
28 cm



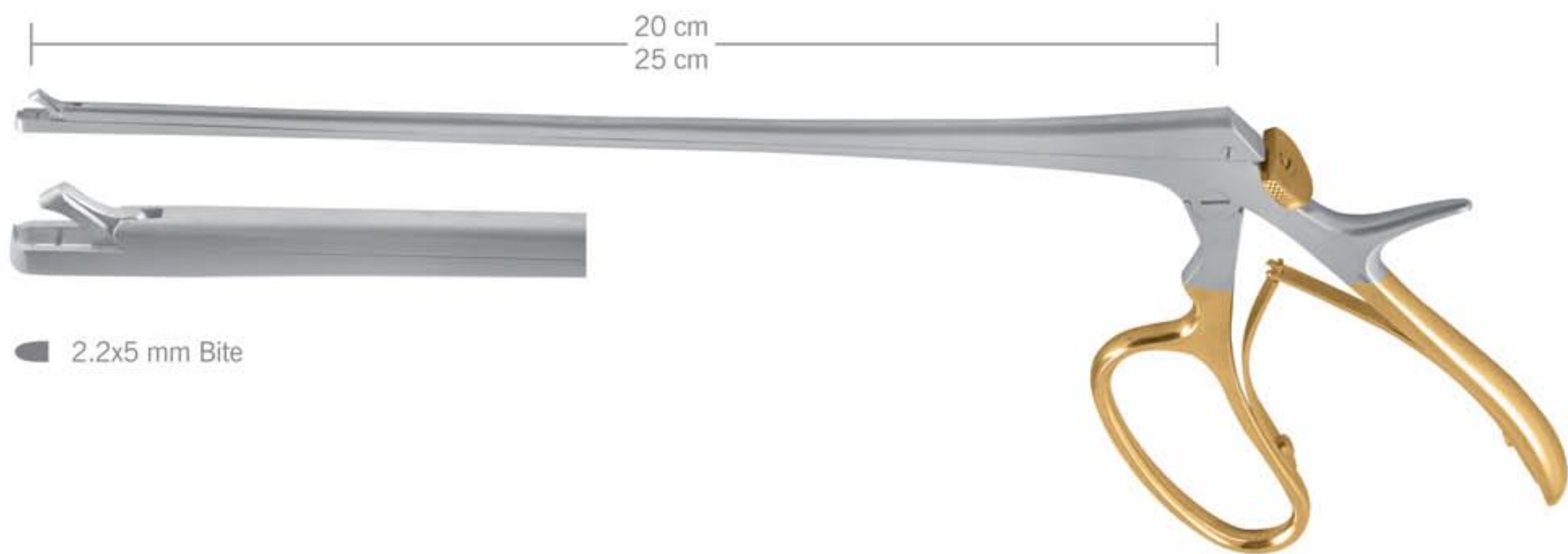
MORGAN TISCHLER
52-1168-20 20cm
52-1172-25 25cm

Biopsy Forceps



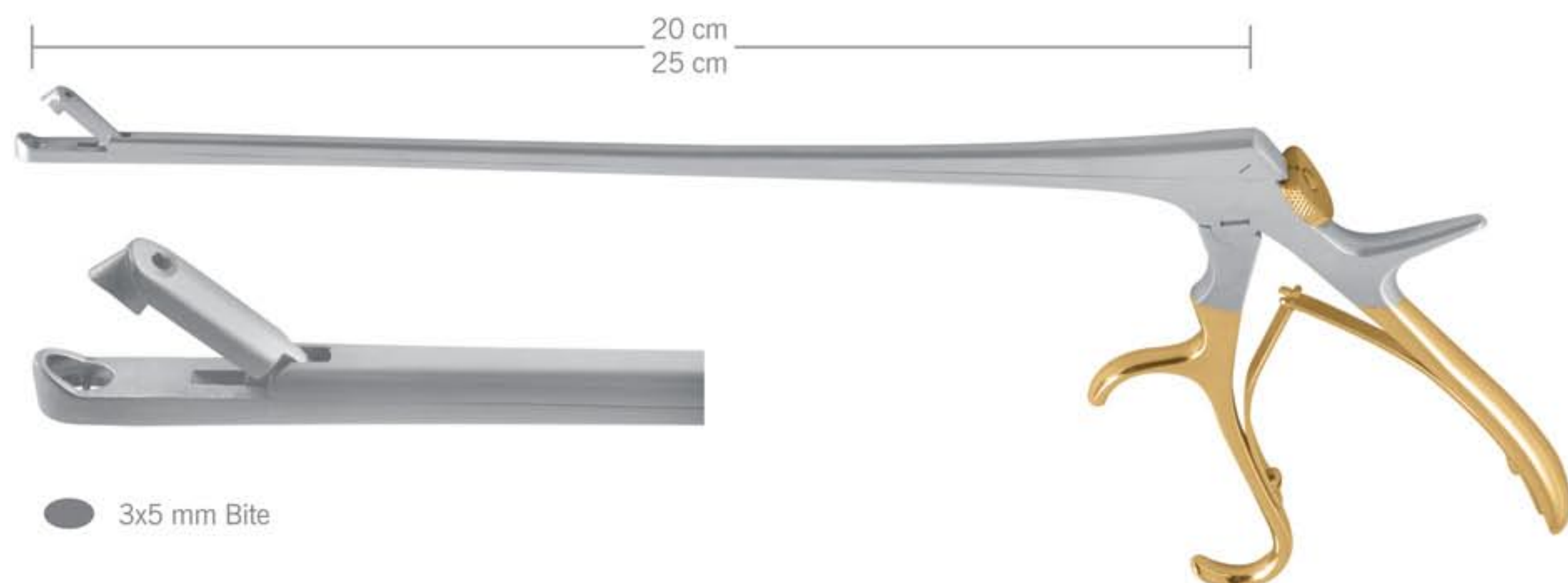
TISCHLER BURKE

52-1176-20 20cm
52-1180-25 25cm



BABY TISCHLER

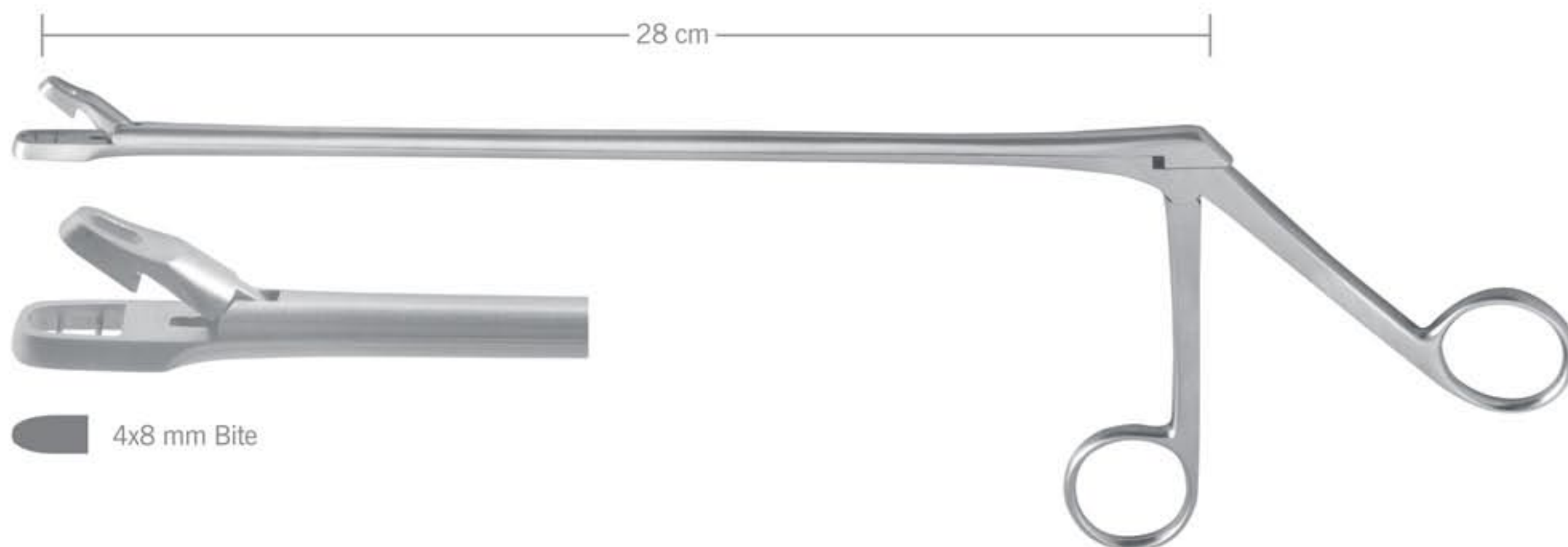
52-1184-20 20cm
52-1188-25 25cm



SKLAR OVAL

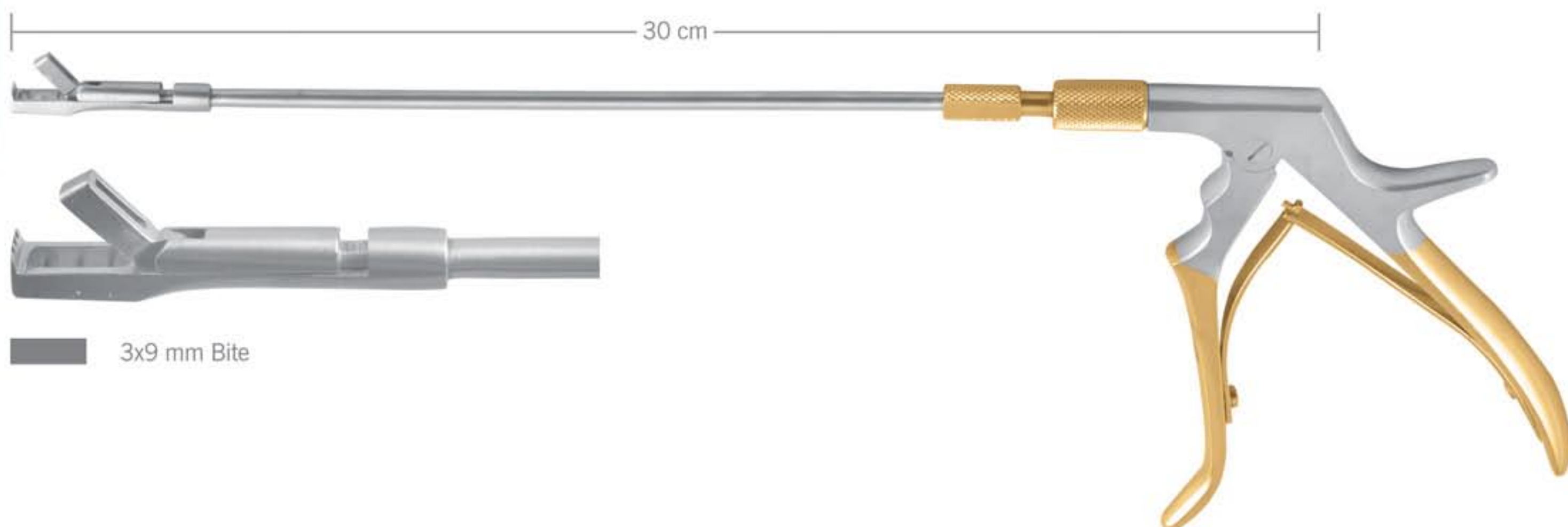
52-1192-20 20cm
52-1196-25 25cm

Biopsy Forceps



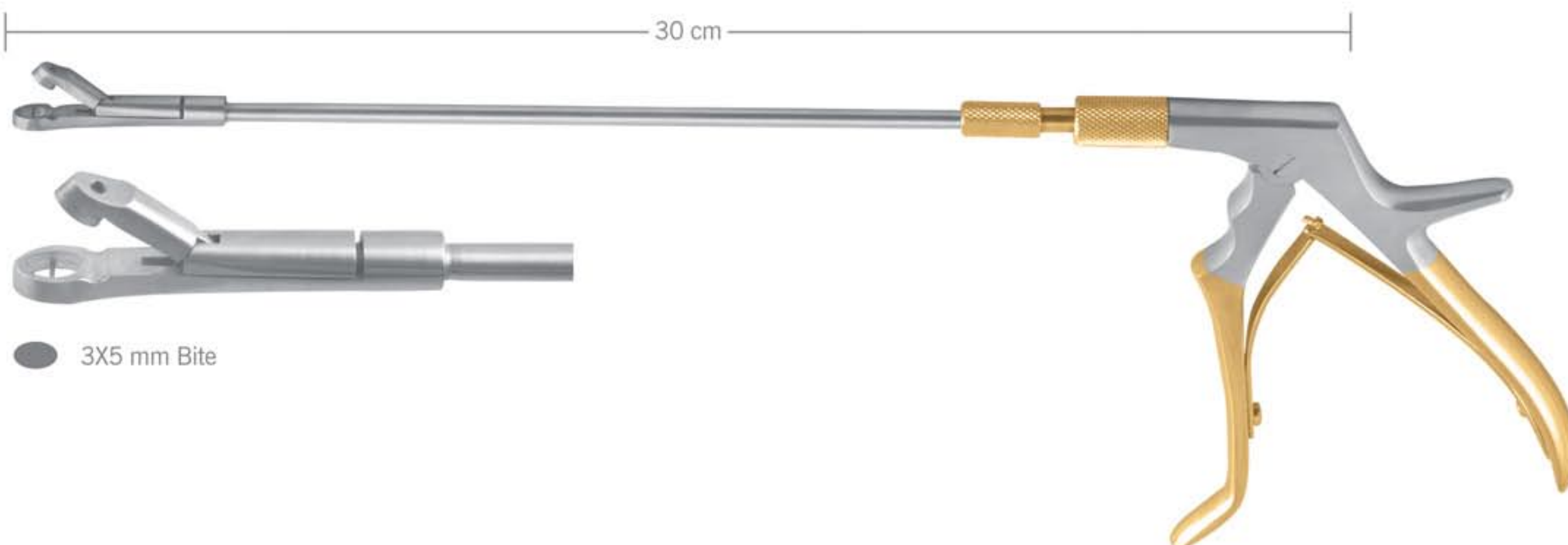
4x8 mm Bite

EPPENDORFER
52-1200-28
28 cm



3x9 mm Bite

KEVOURKIAN YOUNG
52-1204-30
30 cm

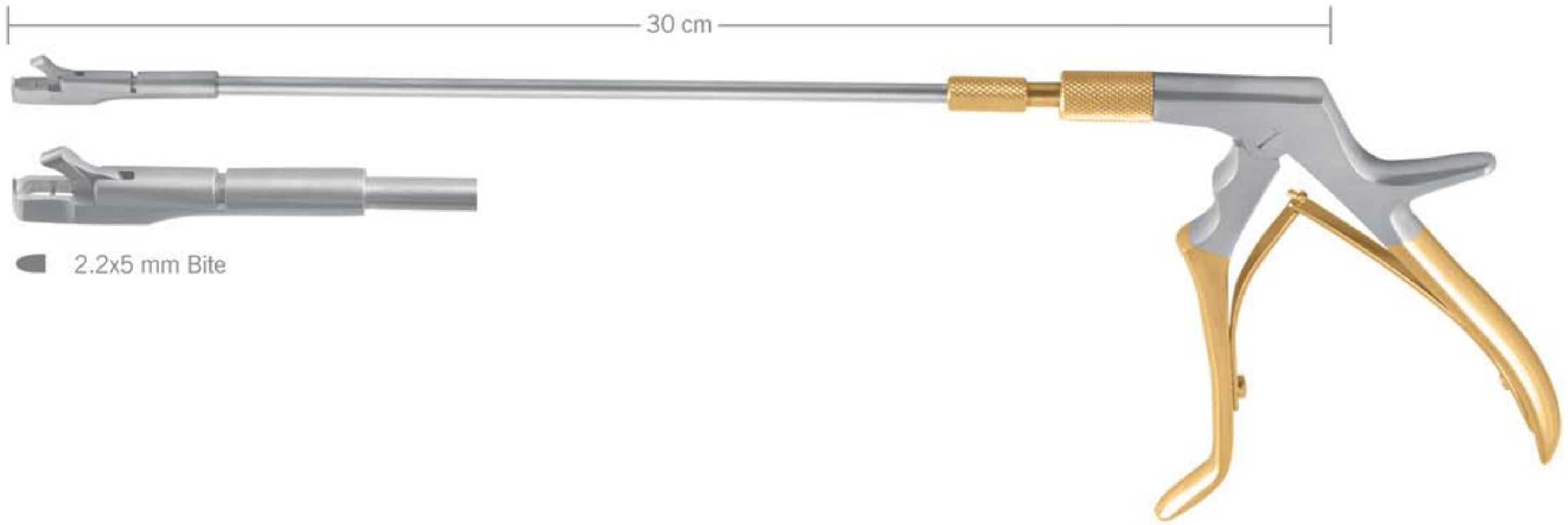


3x5 mm Bite

OVAL
52-1208-30
30 cm



Biopsy Forceps



2.2x5 mm Bite

TOWNSEND-STRAIGHT
52-1212-30
30 cm



2.2x5 mm Bite

TOWNSEND-UPWARD
52-1216-30
30 cm



2.2x5 mm Bite

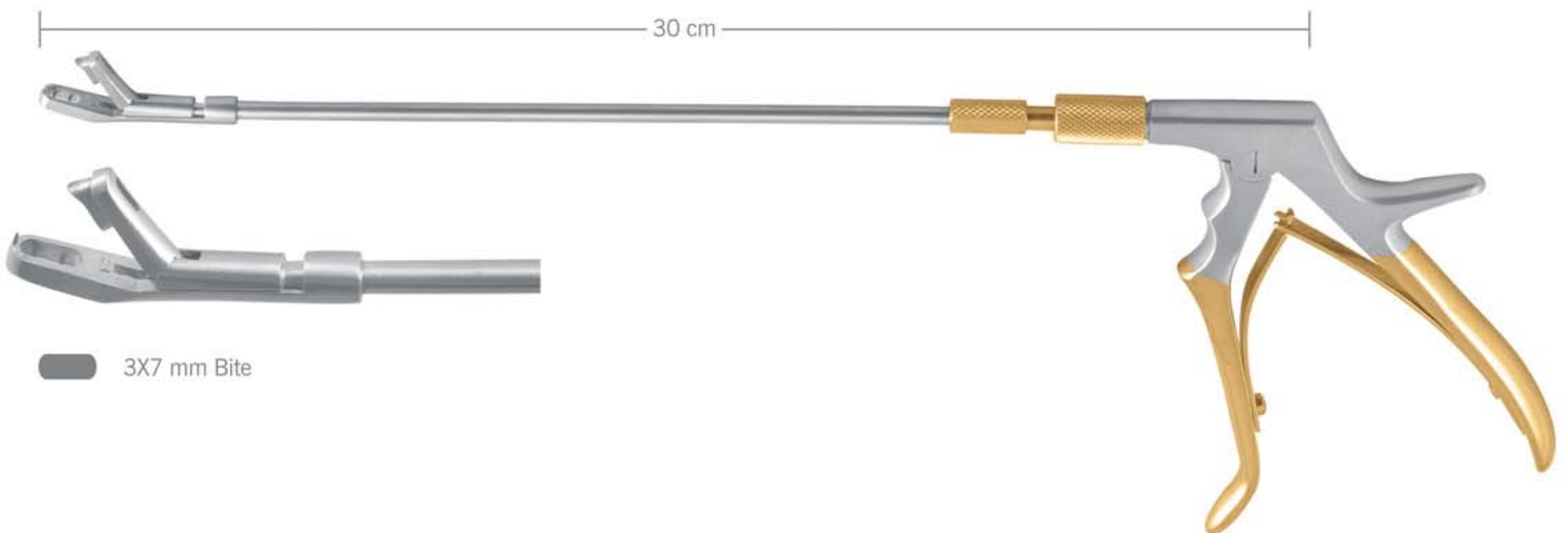
TOWNSEND-DOWNWARD
52-1220-30
30 cm



MORGAN TISCHLER STRAIGHT

52-1224-30

30 cm



TISCHLER-UPWARD

52-1228-30

30 cm



DOYEN

52-0426-01	55 X 35mm
52-0430-02	58 X 35mm
52-0434-03	115 X 35mm
52-0438-01	55 X 45mm
52-0442-02	85 X 45mm
52-0446-03	115 X 45mm
52-0448-04	160 X 45mm
52-0450-01	55 X 60mm
52-0454-02	85 X 60mm
52-0458-03	115 X 60mm
52-0462-04	160 X 60mm



MATHIEU

52-0118-01	95 X 16mm
	95 X 26mm
52-0122-02	95 X 16mm
	95 X 30mm



KRISTELLER

set of 1 speculum & 1 retractor	
52-0266-01	Fig. 1
52-0270-02	Fig. 2
52-0274-03	Fig. 3

Vaginal Specula



CUSCO
52-0322-01 75 X 32mm
52-0326-02 85 X 35mm
52-0330-03 100 X 37mm



CUSCO
52-0350-01 80 X 22mm
52-0354-02 100 X 25mm
52-0358-03 100 X 27mm



CUSCO
52-0338-01 75 X 32mm
52-0342-02 85 X 35mm
52-0346-03 100 X 35mm



PEDERSON
52-0278-01 75 X 13mm
52-0282-02 100 X 22mm
52-0284-03 120 X 25mm



GRAVES
52-0310-01 75 X 20mm
52-0314-02 95 X 35mm
52-0318-03 115 X 35mm

Vaginal Specula



COLLIN

52-0290-01	85 X 30mm
52-0294-02	100 X 35mm
52-0298-03	110 X 40mm



SEMM

52-0286-01	65 X 20mm
52-0288-02	90 X 16mm



AUVARD

52-1232-24	93x38mm
------------	---------

24 cm



AUVARD

52-1236-24	93x38mm
------------	---------

24 cm



AUVARD

52-1240-24	150x33mm
------------	----------

24 cm



KEVORKIAN-YOUNGE
52-0813-30
30cm



NOVAK
52-0817-23
23 cm



PESTALOZZA
53-0140-30
30cm



RECAMIER-SIMS-BUMM
Rigid Malleable
52-0556-31 52-0560-31
31cm 31cm



RECAMIER-SIMS-BUMM
Rigid Malleable
52-0564-31 52-0568-31
31cm 31cm



52-0572-00
Fig-00



52-0574-00
Fig-0



52-0578-01
Fig-1



52-0582-02
Fig-2



52-0586-03
Fig-3



52-0590-04
Fig-4



52-0594-05
Fig-5



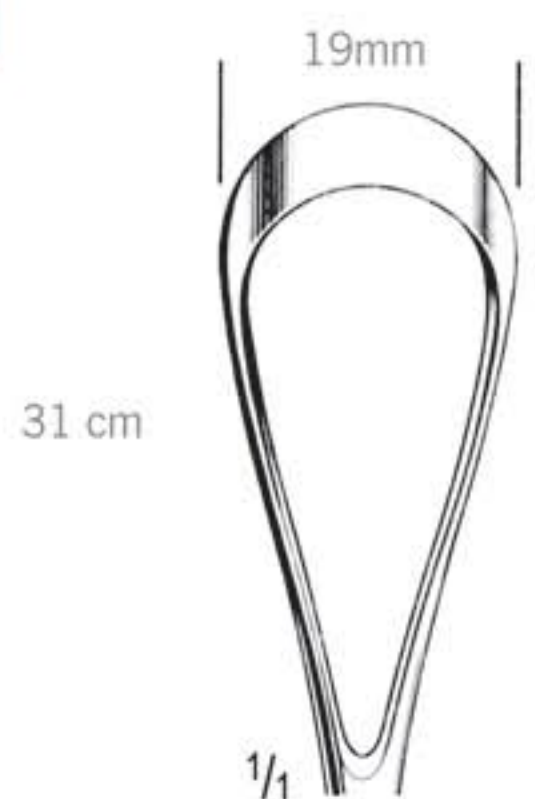
52-0598-06
Fig-6



52-0602-07
Fig-7



52-0606-08
Fig-8



52-0610-09
Fig-9



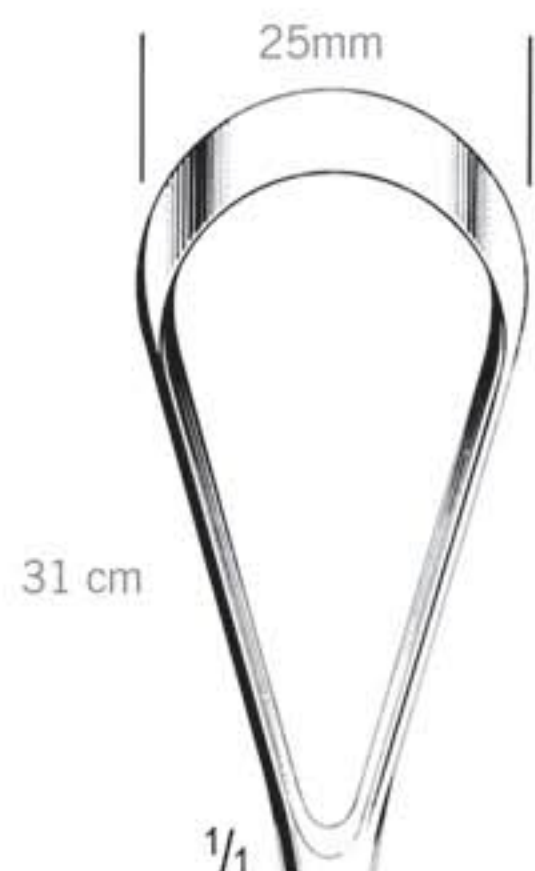
52-0614-10
Fig-10



52-0618-11
Fig-11



52-0622-12
Fig-12



52-0626-13
Fig-13



52-0630-14
Fig-14



52-0634-15
Fig-15



52-0638-16
Fig-16





BRAUN
52-0851-28
28cm



BRAUN
52-0414-15 15mm
52-0418-25 25mm
25 cm



SIMS
52-0839-32
32 cm



VALLEIX
52-0847-25
25cm



FEMALE CATHETERS
53-1244-10 10Fr.
53-1248-12 12Fr.
53-1252-14 14Fr.
53-1256-16 16Fr.
53-1260-18 18Fr.
16cm



American scale

HANK

52-0860-10	Fig. 9/10	= 4.5/5mm
52-0864-12	Fig. 11/12	= 5.5/6mm
52-0868-14	Fig. 13/14	= 6.5/7mm
52-0872-16	Fig. 15/16	= 7.5/8mm
52-0876-18	Fig. 17/18	= 8.5/9mm
52-0880-20	Fig. 19/20	= 9.5/10mm



HANK

52-0856-00

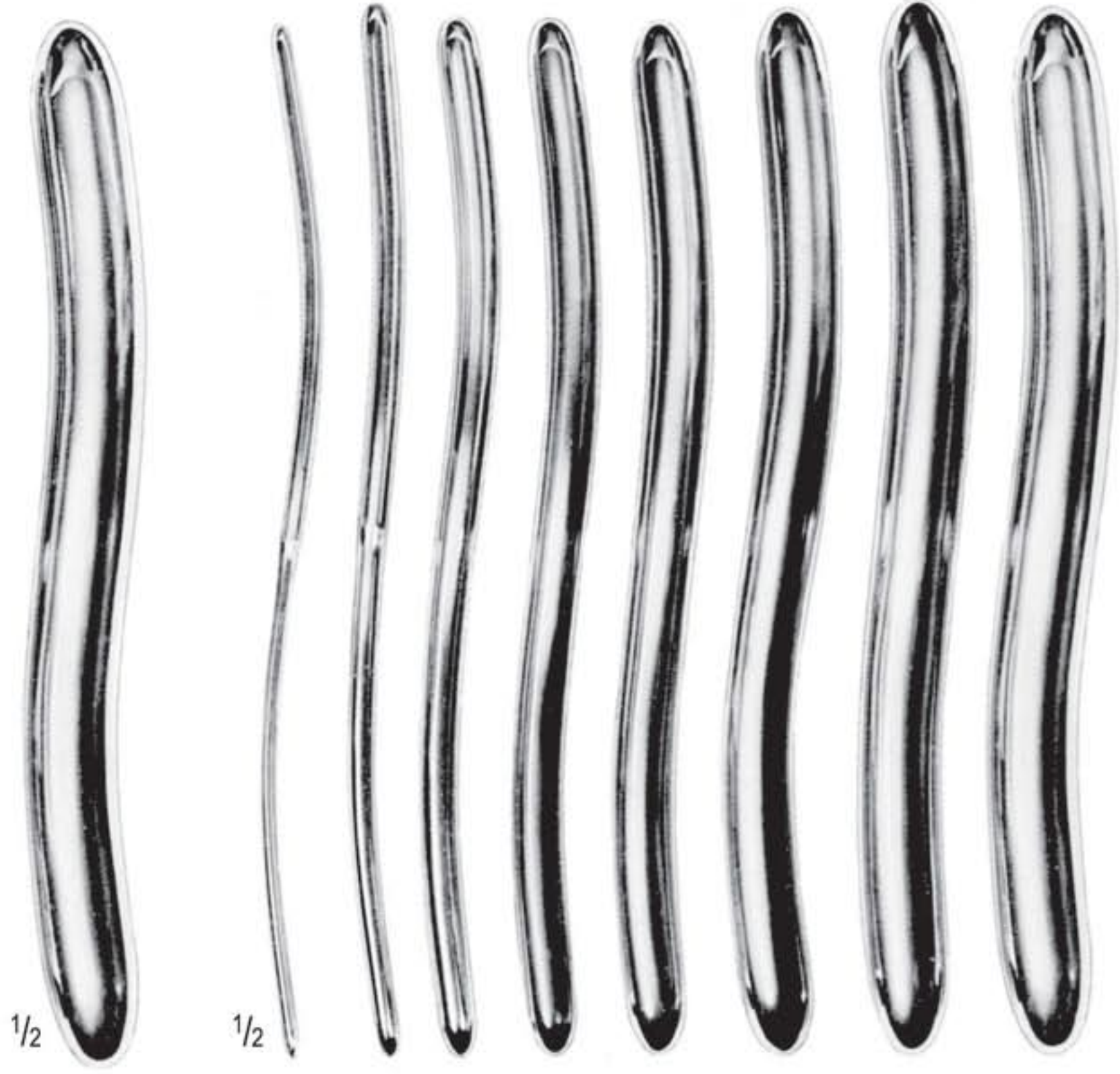
set of 6 pieces in canvas case





1/2

HEGAR	mm Ø
52-0884-01	1.0
52-0885-01	1.5
52-0888-02	2.0
52-0889-02	2.5
52-0892-03	3.0
52-0893-03	3.5
52-0896-04	4.0
52-0897-04	4.5
52-0900-05	5.0
52-0901-05	5.5
52-0904-06	6.0
52-0905-06	6.5
52-0908-07	7.0
52-0909-07	7.5
52-0912-08	8.0
52-0913-08	8.5
52-0916-09	9.0
52-0917-09	9.5
52-0920-10	1.0
52-0921-10	10.5
52-0924-11	11.0
52-0925-11	11.5
52-0928-12	12.0
52-0929-12	12.5
52-0932-13	13.0
52-0933-01	13.5
52-0936-14	14.0
52-0937-02	14.5
52-0940-15	15.0
52-0941-03	15.5
52-0944-16	16.0
52-0945-04	16.5
52-0948-17	17.0
52-0949-05	17.5
52-0952-18	18.0
52-0953-06	18.5
52-0956-19	19.0
52-0957-07	19.5
52-0960-20	20.0
52-0964-21	21.0
52-0968-22	22.0
52-0972-23	23.0
52-0976-24	24.0
52-0980-25	25.0
52-0964-26	26.0



1/2

1/2

	mm Ø
52-0988-02	1.0/2.0
52-0992-04	3.0/4.0
52-0996-06	5.0/6.0
52-1000-08	7.0/8.0
52-1004-10	9.0/10.0
52-1008-12	11.0/12.0
52-1012-14	13.0/14.0
52-1016-16	15.0/16.0
52-1020-18	17.0/18.0
52-1024-20	19.0/20.0
52-1028-22	21.0/22.0
52-1032-24	23.0/24.0
52-1036-26	25.0/26.0



52-1040-00
set of 8 pieces in canvas case
3.0/4.0 - 17.0/18.0mm Ø



MARTIN PELVIMETER
 52-0219-34
 34 cm



GELPI
 48-1364-09 9 cm
 48-1368-11 11 cm
 48-1372-14 14 cm
 48-1376-19 19 cm



COLLIN
 53-0138-09
 9 cm



KEYES
 53-0167-02 2mm
 53-0171-03 3mm
 53-0175-04 4mm
 53-0179-05 5mm
 53-0183-06 6mm
 53-0187-07 7mm
 53-0191-08 8mm
 10 cm



DUPLAY
52-0739-28
28 cm



STAUDE-MOORE
52-0729-17
17 cm



SCHROEDER
52-0744-25
25 cm

Tannaculam Forceps



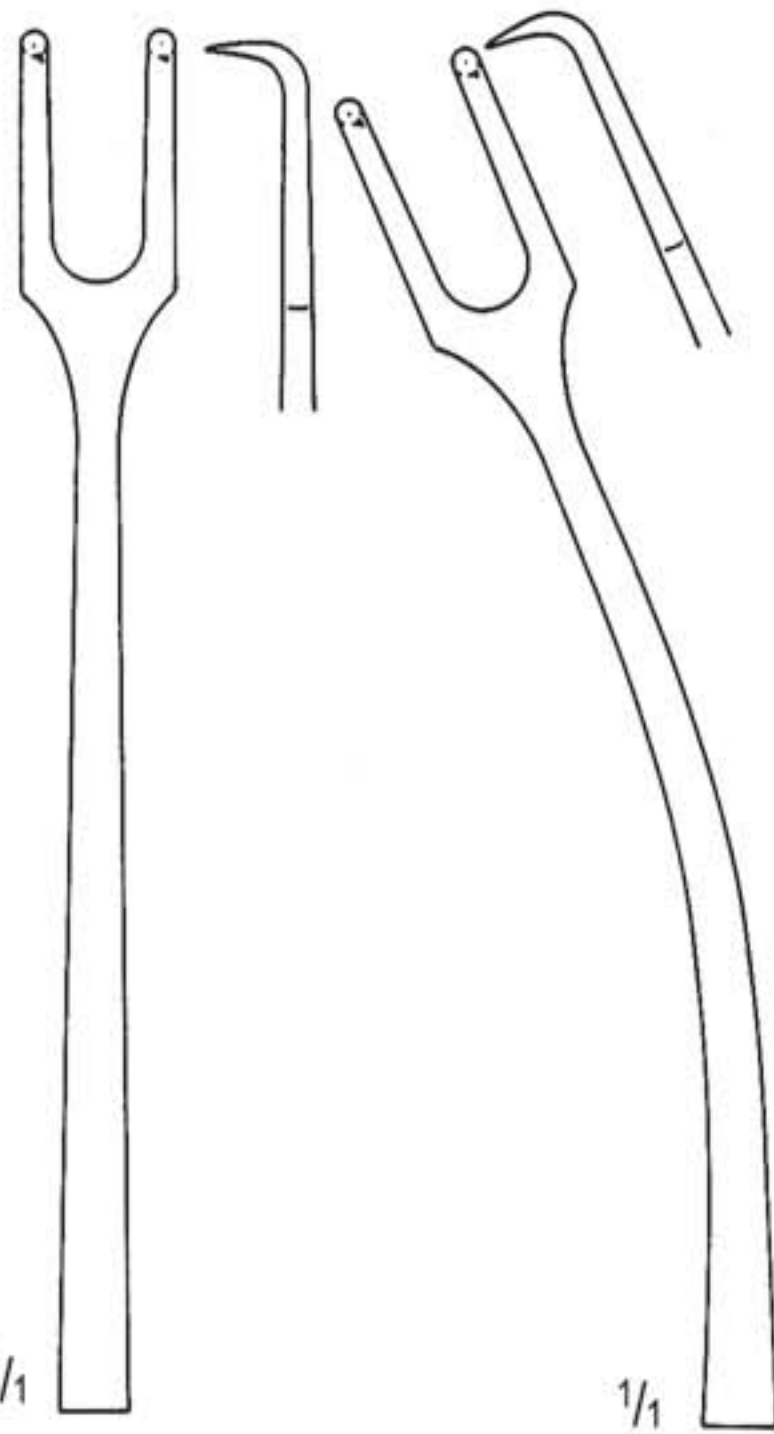
CZERNY
52-0780-20
20 cm



52-0784-26
26 cm



SCHROEDER
52-0768-24 Str.
52-0771-24 Cvd.
24 cm



1/1

1/1



MUSEUX
24 cm



52-0748-24
6 mm



52-0752-24
8 mm



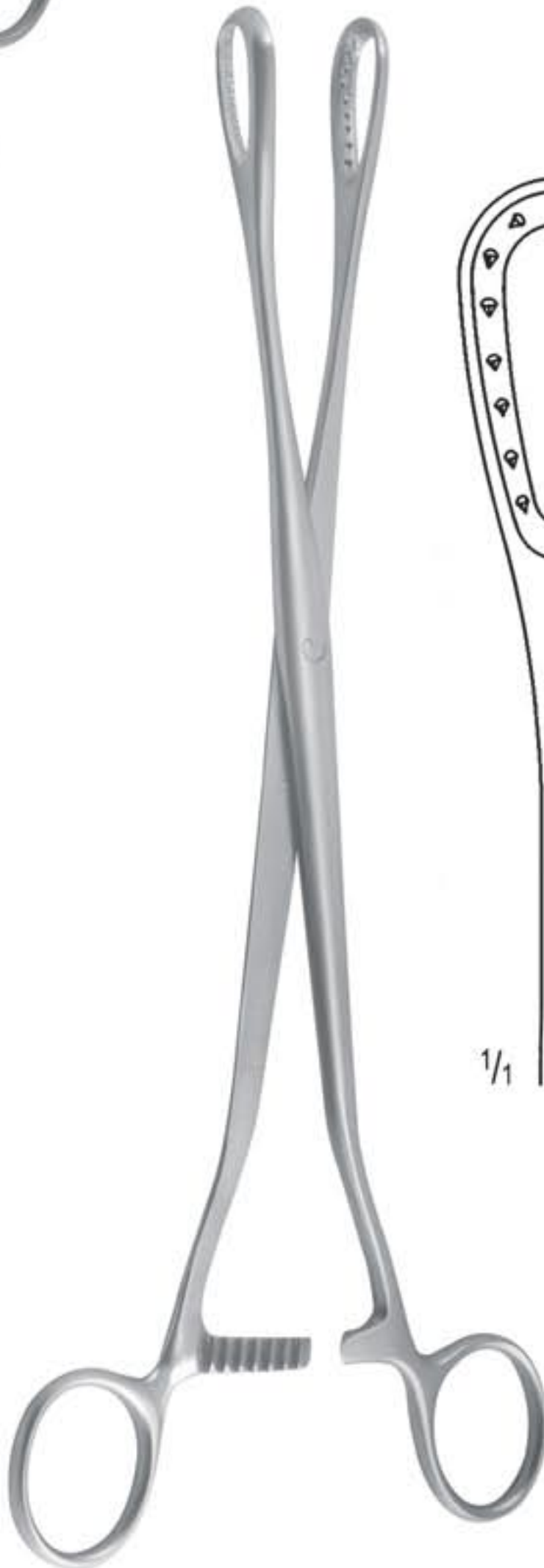
52-0756-24
10 mm



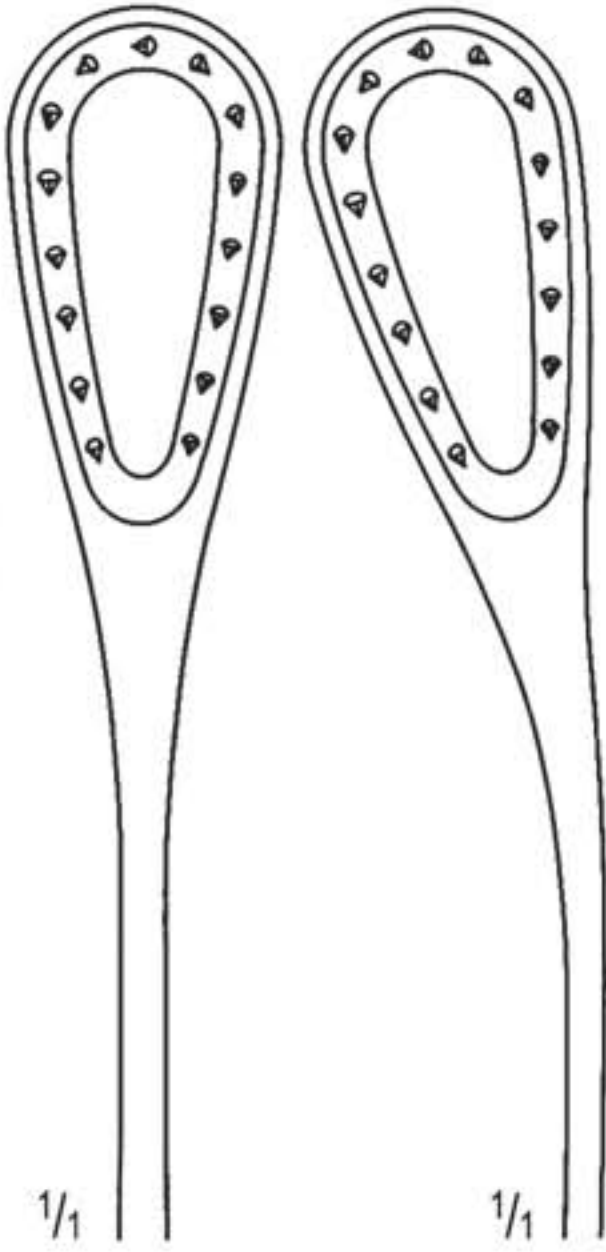
GREEN-ARMYTAGE
52-0150-21
21 cm



SCHWEIZER
52-1264-24
24 cm



SAENGER
53-0154-27 Str.
53-0155-27 Cvd.
27 cm





NOTO
52-0796-27
27 cm



LAUFE
52-1268-20
20 cm



KELLY
52-0801-32
32 cm



BOZEMANN
47-0173-26
26 cm



BOZEMANN-DOUGLAS
47-0177-26
26 cm



WINTER
53-0157-28 Str.
53-0162-28 Str.
53-0159-28 Cvd.
53-0163-28 Cvd.
28 cm



KOGAN
52-0809-24
24 cm



McLANE-TUCKER-LUIKART
53-0199-39
39 cm



LUIKART
53-0195-39
39 cm



SIMPSON-LUIKART
53-0203-35
35.5 cm



PIPER
53-0211-44
44 cm



SIMPSON
53-0207-37
37 cm

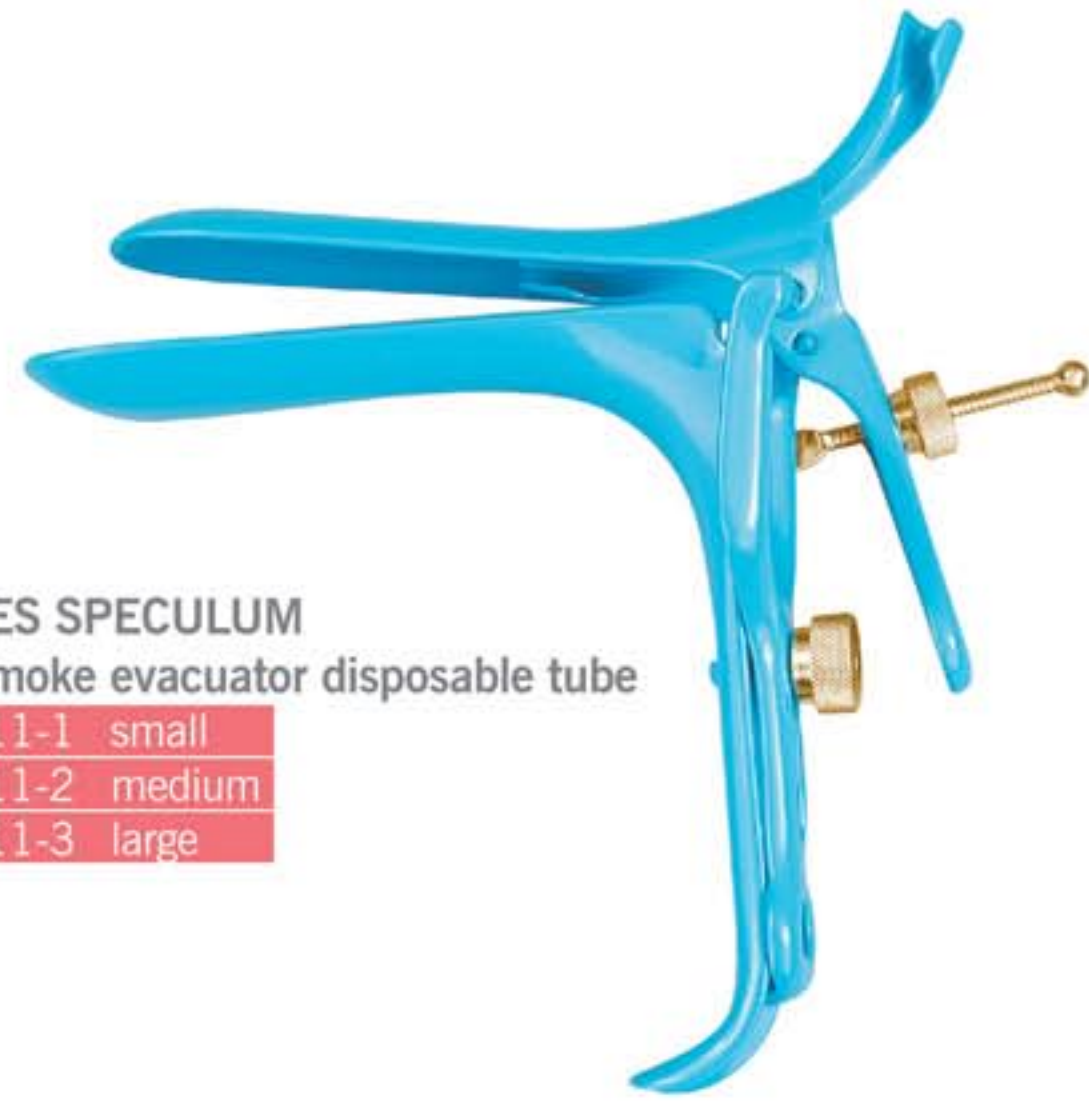


McLANE-TUCKER
53-0215-39
39 cm



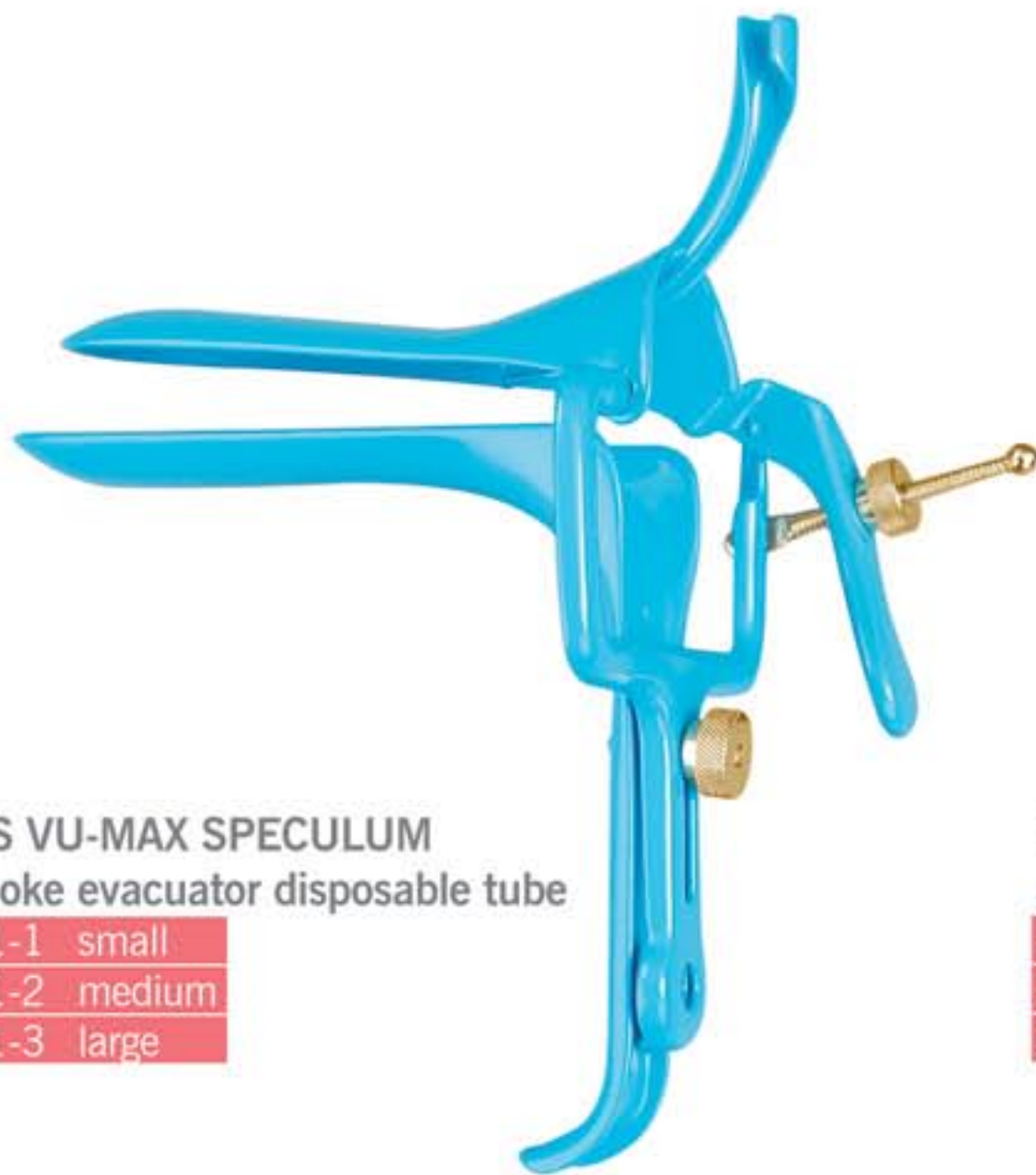
GRAVE SPECULUM
with Smoke Evacuator tube

- 320-001-1 small
- 320-001-2 medium
- 320-001-3 large
- 320-001-4 x-large



GRAVES SPECULUM
with smoke evacuator disposable tube

- 320-011-1 small
- 320-011-2 medium
- 320-011-3 large



GRAVES VU-MAX SPECULUM
with smoke evacuator disposable tube

- 320-031-1 small
- 320-031-2 medium
- 320-031-3 large



COLLIN SPECULUM
with smoke evacuator tube

- 320-061-1 small
- 320-061-2 medium
- 320-061-3 large



CUSCO SPECULUM
with smoke eacuator tube

- 320-081-1 small
- 320-081-2 medium
- 320-081-3 large

Retractors and Speculam Insulated



LATERAL RETRACTOR
 320-111-20 20 cm
 320-111-22 22 cm
 320-111-24 24 cm



LATERAL RETRACTOR
 320-121-20 20 cm
 320-121-22 22 cm
 320-121-24 24 cm



GELPY RETRACTOR
 320-131-20 20 cm
 320-131-22 22 cm



RIGBY RETRACTOR
 320-111-20 20 cm
 320-111-22 22 cm



KOGAN SPECULAM
 320-151-223, 3mm
 320-151-224, 4mm
 320-151-225, 5mm
 22 cm



KOGAN SPECULAM
 320-151-243, 3mm
 320-151-244, 4mm
 320-151-245, 5mm
 24 cm

Hooks and Forceps Insulated



L-HOOK
320-171-25
25 cm



HOOK 2-PRONGE
320-181-25
25 cm



HOOK 3-PRONGE
320-191-25
25 cm



HOOK 4-PRONGE
320-201-25
25 cm



CAMPION
320-211-24
24 cm



TENACULAM
320-221-24
24 cm



COLLIN SPECULAM
 330-011-01 small
 330-011-02 medium
 330-011-03 large



LATERAL RETRACTOR
 330-021-20 20 cm
 330-021-22 22 cm
 330-021-24 24 cm



KOGAN SPECULAM
 330-041-223 3mm
 330-041-224 4mm
 330-041-225 5mm
 22cm
 330-041-243 3mm
 330-041-244 4mm
 330-041-245 5mm
 24cm



GELPY RETRACTOR
 330-051-20 20 cm
 330-051-22 22 cm



RIGBY RETRACTOR
 330-061-20 20 cm
 330-061-22 22 cm



SCHROEDER TENECULAM
 330-071-254
 25 cm



IRIS HOOK
 330-081-25
 25 cm



EMMETT HOOK
 330-091-25
 25 cm



L-HOOK
 330-101-25
 25 cm

Non-sterile, autoclave at 134 °C
 Please refer to page 32 for further details.

Gynecology Insulated

Code	Description
320-001-1	Graves Speculum, Small, with smoke evacuator tube
320-001-2	Graves Speculum, Medium, with smoke evacuator tube
320-001-3	Graves Speculum, Large, with smoke evacuator tube
320-001-4	Graves Speculum, X-Large, with smoke evacuator tube
320-011-1	Graves Speculum, Small, with smoke evacuator disposable tube
320-011-2	Graves Speculum, Medium, with smoke evacuator disposable tube
320-011-3	Graves Speculum, Large, with smoke evacuator disposable tube
320-011-4	Graves Speculum, X-Large, with smoke evacuator disposable tube
320-021-1	Graves VU-Max Speculum, Small, with smoke evacuator tube
320-021-2	Graves VU-Max Speculum, Medium, with smoke evacuator tube
320-021-3	Graves VU-Max Speculum, Large, with smoke evacuator tube
320-031-1	Graves VU-Max Speculum, Small, with smoke evacuator disposable tube
320-031-2	Graves VU-Max Speculum, Medium, with smoke evacuator disposable tube
320-031-3	Graves VU-Max Speculum, Large, with smoke evacuator disposable tube
320-041-1	Pederson Speculum, Small, with smoke evacuator tube
320-041-2	Pederson Speculum, Medium, with smoke evacuator tube
320-041-3	Pederson Speculum, Large, with smoke evacuator tube
320-051-1	Pederson Speculum, Small, with smoke evacuator disposable tube
320-051-2	Pederson Speculum, Medium, with smoke evacuator disposable tube
320-051-3	Pederson Speculum, Large, with smoke evacuator disposable tube
320-061-1	Collin Speculum, Small, with smoke evacuator tube
320-061-2	Collin Speculum, Medium, with smoke evacuator tube
320-061-3	Collin Speculum, Large, with smoke evacuator tube
320-071-1	Collin Speculum, Small, with smoke evacuator disposable tube
320-071-2	Collin Speculum, Medium, with smoke evacuator disposable tube
320-071-3	Collin Speculum, Large, with smoke evacuator disposable tube
320-081-1	Cusco Speculum, Small, with smoke evacuator tube
320-081-2	Cusco Speculum, Medium, with smoke evacuator tube
320-081-3	Cusco Speculum, Large, with smoke evacuator tube
320-091-1	Cusco Speculum, Small, with smoke evacuator disposable tube
320-091-2	Cusco Speculum, Medium, with smoke evacuator disposable tube
320-091-3	Cusco Speculum, Large, with smoke evacuator disposable tube
320-111-20	Lateral Retractor, 20 cm
320-111-22	Lateral Retractor, 22 cm
320-111-24	Lateral Retractor, 24 cm
320-121-20	Lateral Retractor, 20 cm, wide open
320-121-22	Lateral Retractor, 22 cm, wide open
320-121-24	Lateral Retractor, 24 cm, wide open
320-131-20	Gelpy Retractor, 20 cm
320-131-22	Gelpy Retractor, 22 cm
320-141-20	Rigby Retractor, 20 cm
320-141-22	Rigby Retractor, 22 cm
320-151-223	Kogan Speculum, 22 cm, 3mm
320-151-224	Kogan Speculum, 22 cm, 4mm
320-151-225	Kogan Speculum, 22 cm, 5mm
320-151-243	Kogan Speculum, 24 cm, 3mm
320-151-244	Kogan Speculum, 24 cm, 4mm
320-151-245	Kogan Speculum, 24 cm, 5mm
320-161-213	Dressing Forceps, 21cm, 3mm Tip
320-171-25	L-Hook, 25 cm
320-181-25	Hook, 2-Prongs, 25 cm
320-191-25	Hook, 3-Prongs, 25 cm
320-201-25	Hook, 4-Prongs, 25 cm
320-211-22	Campion Forceps, 22 cm
320-211-24	Campion Forceps, 24 cm
320-221-24	Tenaculum Forceps, 24 cm
320-231-22	Foerster Sponge Forceps, 22 cm
320-241-24	Foerster Sponge Forceps, 24 cm

Gynecology Laser

Code	Description
330-001-1	Graves Speculum, Small, with smoke evacuator tube
330-001-2	Graves Speculum, Medium, with smoke evacuator tube
330-001-3	Graves Speculum, Large, with smoke evacuator tube
330-011-1	Collin Speculum, Small, with smoke evacuator tube
330-011-2	Collin Speculum, Medium, with smoke evacuator tube
330-011-3	Collin Speculum, Large, with smoke evacuator tube
330-021-20	Lateral Retractor, 20 cm
330-021-22	Lateral Retractor, 22 cm
330-021-24	Lateral Retractor, 24 cm
330-031-20	Lateral Retractor, 20 cm, wide open
330-031-22	Lateral Retractor, 22 cm, wide open
330-031-24	Lateral Retractor, 24 cm, wide open
330-041-223	Kogan Speculum, 22 cm, 3mm
330-041-224	Kogan Speculum, 22 cm, 4mm
330-041-225	Kogan Speculum, 22 cm, 5mm
330-041-243	Kogan Speculum, 24 cm, 3mm
330-041-244	Kogan Speculum, 24 cm, 4mm
330-041-245	Kogan Speculum, 24 cm, 5mm
330-051-20	Gelpy Retractor, 20 cm
330-051-22	Gelpy Retractor, 22 cm
330-061-20	Rigby Retractor, 20 cm
330-061-22	Rigby Retractor, 22 cm
330-071-25	Schroeder Tenaculum Forceps, 25 cm
330-081-25	Iris Hook, 25 cm
330-091-25	Emmett Hook, 25 cm
330-101-25	L-Hook, 25 cm

Certified:

ISO 9001 : 2008

ISO 14001 : 2004

ISO 13485 : 2003

cGMP - FDA (USA)

CE 0120



M.A. ARAIN & BROTHERS

Mailing Address:

P.O. Box: 432, Sialkot-Pakistan

Factory:

Wazirabad Road, Sialkot-Pakistan.

Phone: +92 52 4264926 & 4264571

Fax: +92 52 4264759 & 4264026

E-mail: info@maarain.com

URL: www.maarain.com