

# Ophthalmology

Ophthalmology Instruments  
Catalogue

www.maarain.com



**M.A. ARAIN & BROTHERS**  
Taking the pain out of medical procurement

# Introduction

M.A.Arain & Brothers (Pvt) Ltd. pursues the 21st century vision of becoming a true global leader who can make its customers worldwide through its quality products and services.

We are dedicated to manufacturing and marketing instruments those provide practical solutions to real life problems, and meet the needs of our customers. We insist on high quality, efficient manufacturing, teamwork, and integrity, growing from our deep respect and honor for God, our employees, our vendors, our customers and all our other stakeholders.

We stand behind every product we offer. Each of us, from the production department to the sales department makes customer satisfaction a top priority.

The careful management of people and projects ensures we continue to enjoy our reputation for providing excellent quality services to our customers.

The most important part of our philosophy is to work in partnership with clients and this requires, in our view, direct contact between our clients and us from the word go.

We Aim:

- To listen to our customers and exceed their expectations, ensuring they are completely satisfied with our products, services and support so that they will continue working with us.
- To continue expanding our research programs in progressive technologies.
- To secure international recognition by adopting a global rather than local perspective and by achieving excellence in the quality of our instruments.
- To continue building our excellent team of top professionals through controlled expansion, selective recruitment and by creating an informal and challenging work environment.

Scalpal Handles	1
Micro Scissors	02 - 08
Eye Scissors	9-11
Micro Needle Holders	12 - 15
Needle Holders	16 - 19
Artery Forceps	20 - 21
Towel Clamps	21
Micro Forceps	22,30
Iris Forceps	22 -24
Suture Forceps	25
Skeleton Forceps	26
Fixation Forceps	26
Muscular Forceps	27
Advancement & Entropium Forceps	27
Trachoma Forceps	28
Strabismus Forceps	28
Capsular Forceps	29
Cilia Forceps	29
Eye Specula, Retractors	31-33
Double-ended Instruments	33,37
Cataract Knives	34
Various Eye Knives	34
Hooks and Hooklets, Retractors	35
Lens Expressors Instruments	36
Eye Spoons, Cyclodialysis Spatulas	36
Discission Needles	37
Lid Instrument	37
Calipers	38
Lacheymal Probes	38
Ear Punches	39
Cannulas	40-41

Scalpal Handles  
Scalpal Griff  
Poignee Scalpal



w w w . m a a r a i n . c o m



Scalpal Handle  
41.0106.07  
# 7



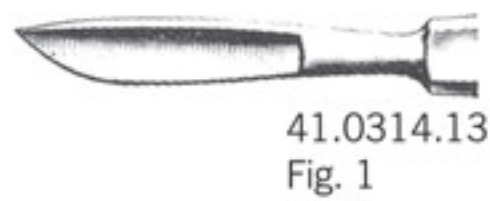
Scalpal Handle  
41.0134.03  
# 3



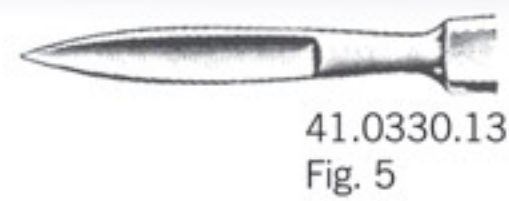
Scalpal Handle  
41.0138.04  
# 4



Dissecting Knives  
41.0314.13 - 41.0342.13  
13 cm



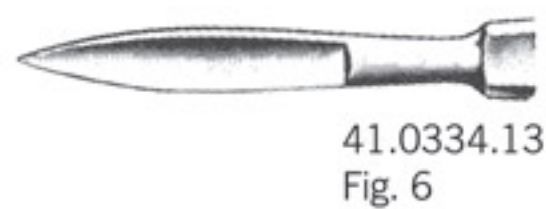
41.0314.13  
Fig. 1



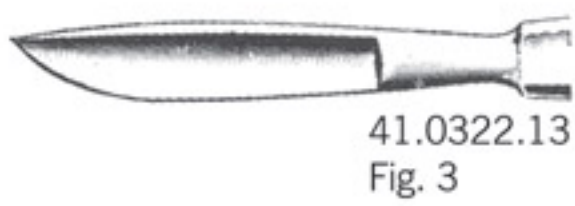
41.0330.13  
Fig. 5



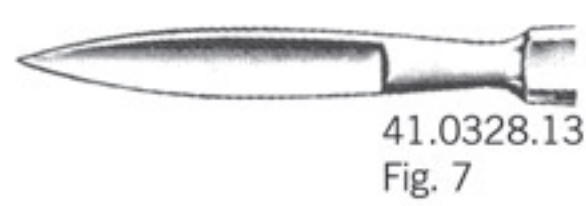
41.0318.13  
Fig. 2



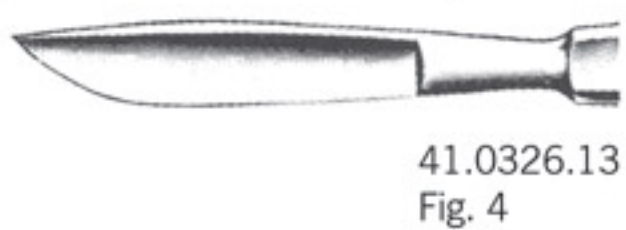
41.0334.13  
Fig. 6



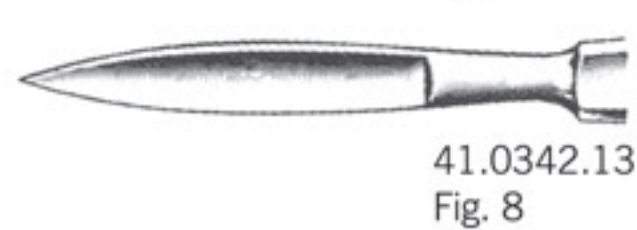
41.0322.13  
Fig. 3



41.0328.13  
Fig. 7



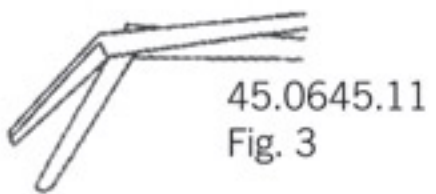
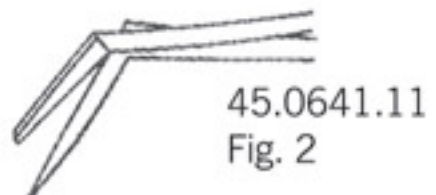
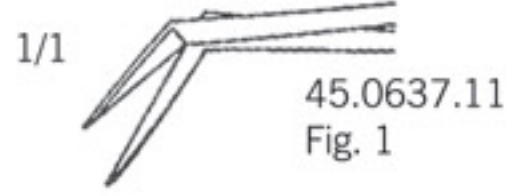
41.0326.13  
Fig. 4



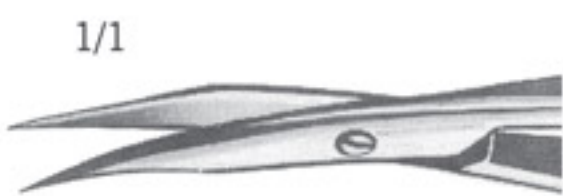
41.0342.13  
Fig. 8



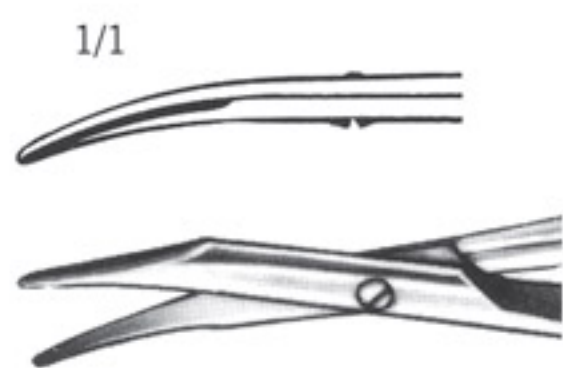
Barraquer  
 45.0649.05 5mm  
 45.0653.07 7mm  
 45.0657.10 10mm  
 5.5 cm



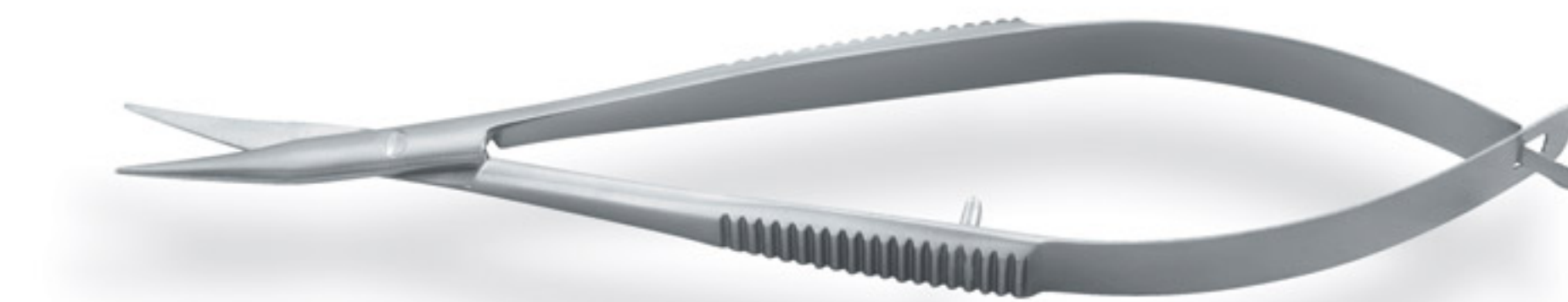
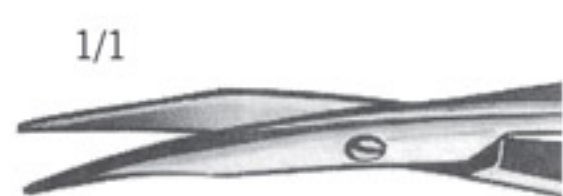
Wecker  
 45.0637.11 - 45.0645.11  
 11 cm



Westcott  
 45.0457.12  
 12 cm , Cvd



Westcott  
 45.1894.11  
 11 cm

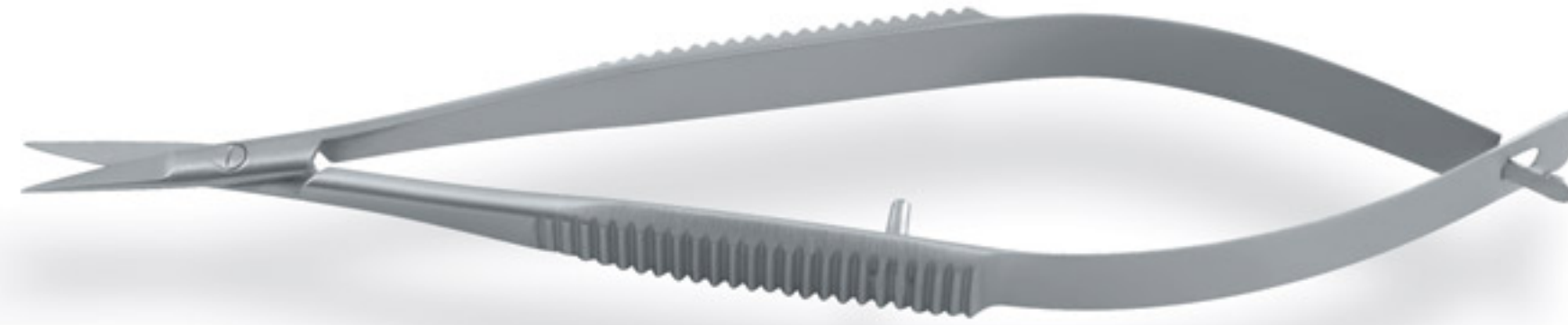


Westcott  
 45.1906.11  
 11 cm

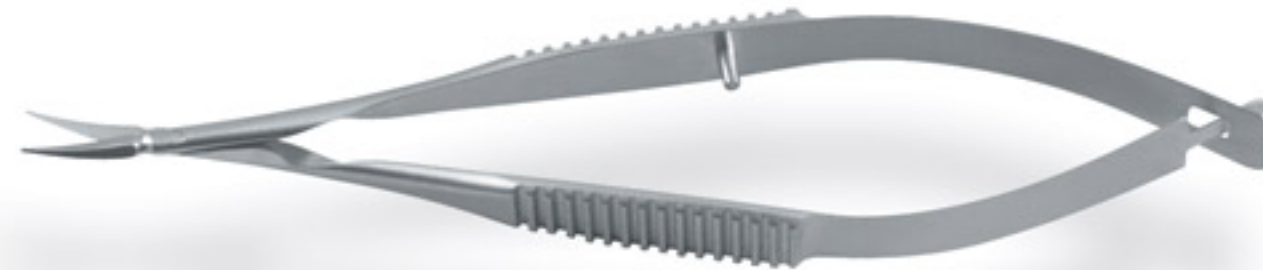
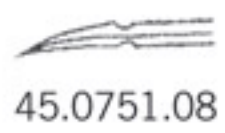
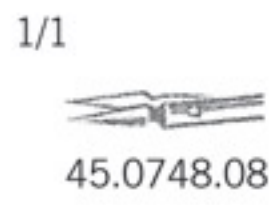
Micro Scissors  
 Micro Scissors  
 Micro Ciseaux



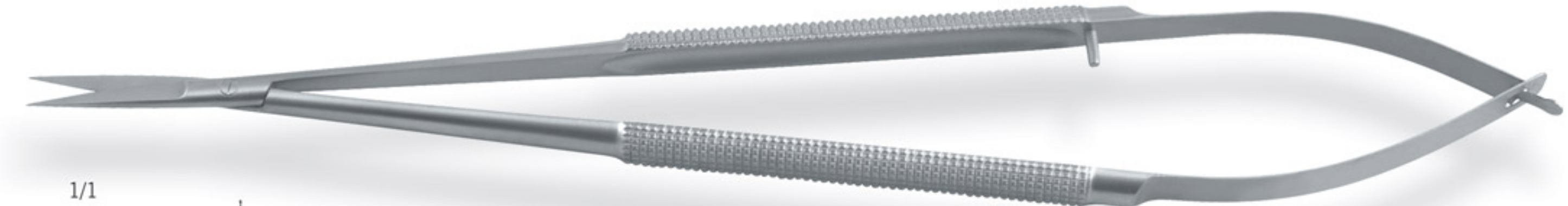
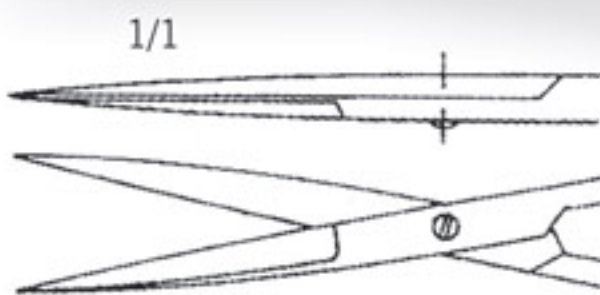
w w w . m a a r a i n . c o m



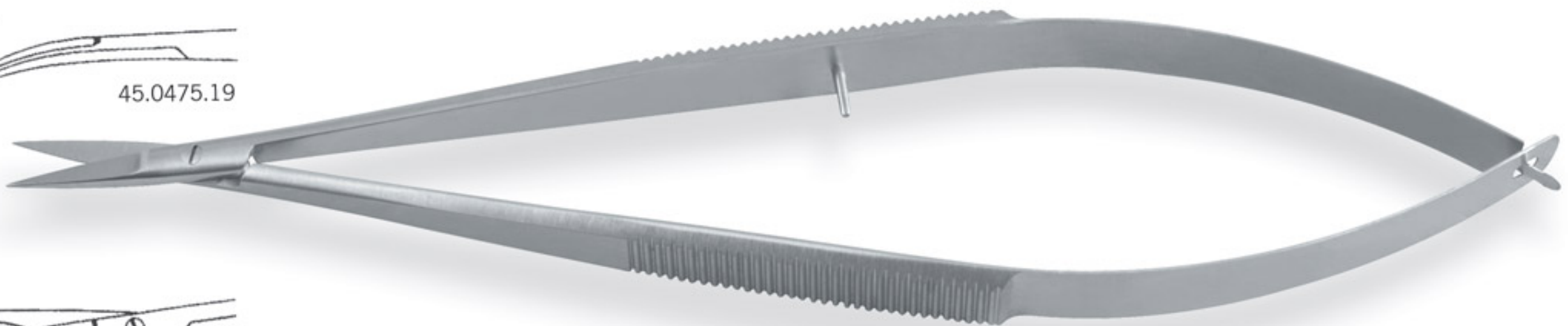
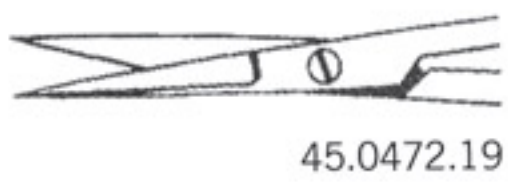
Westcott  
 45.0462.11  
 11 cm



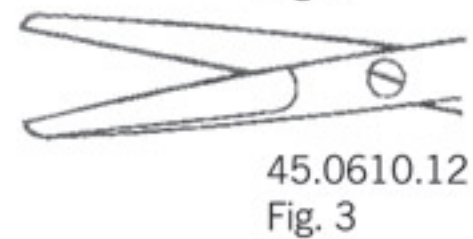
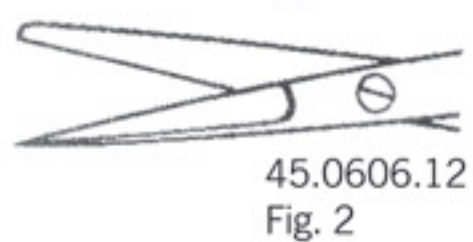
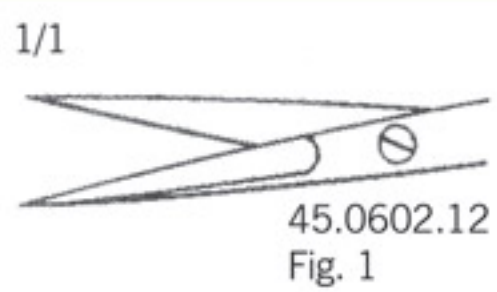
Vannas  
 45.0748.08 - 45.769.08  
 8.0 cm



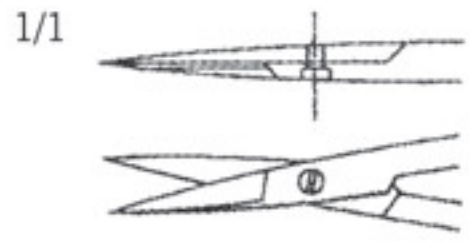
45.0708.18  
 18 cm



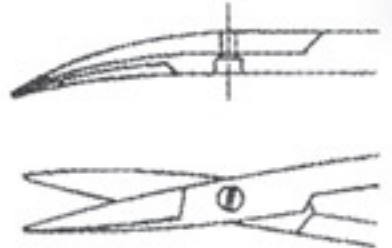
45.0472.19 - 45.0475.19  
 19 cm



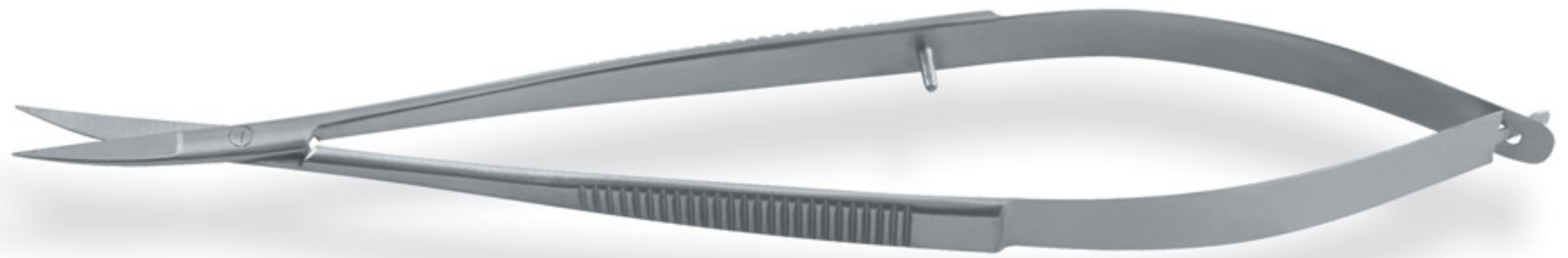
Noyes  
 45.0602.12 - 45.610.12  
 12 cm



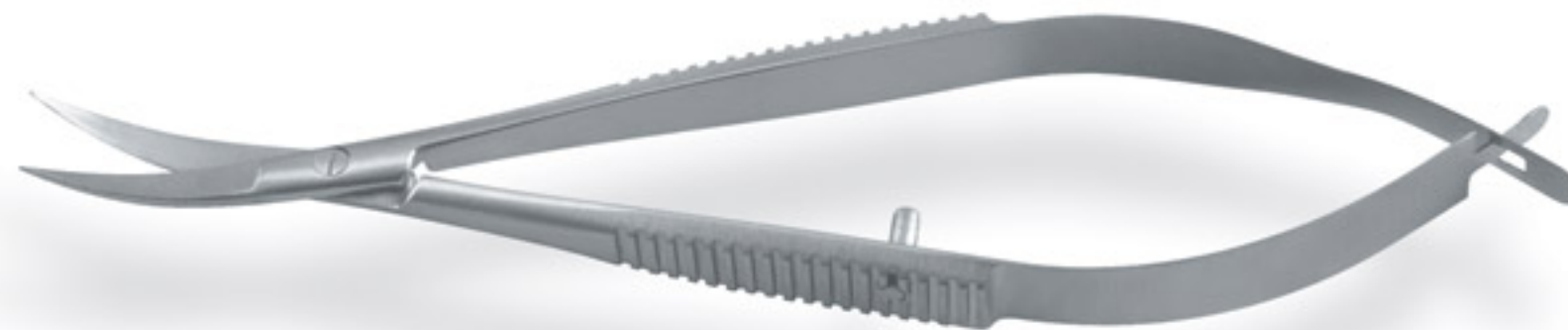
45.0686.15



45.0687.15



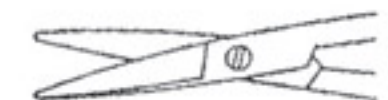
45.0686.15 - 45.0687.15  
15 cm



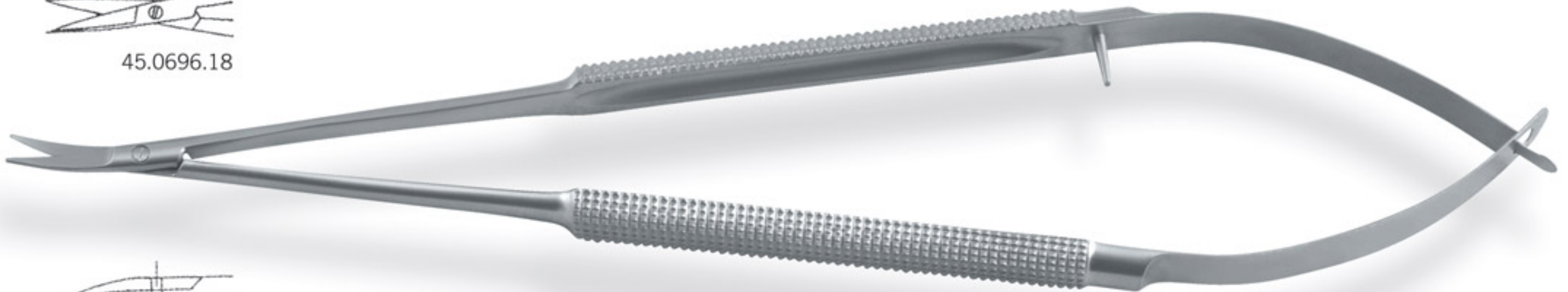
Catroviejo  
45.0793.10  
10 cm



45.0696.18



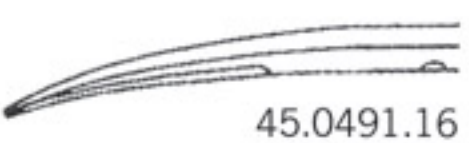
45.0699.18



45.0696.18 - 45.0699.18  
18 cm



45.0478.16



45.0491.16



45.0478.16 - 45.0491.16  
16 cm

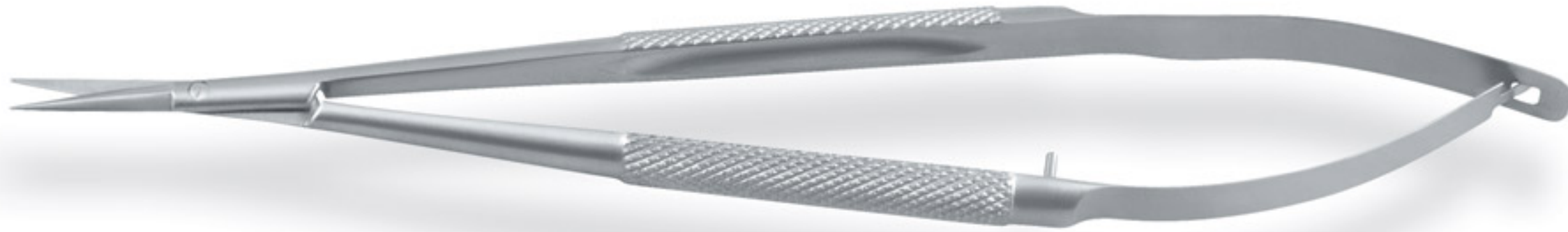
Micro Scissors  
Micro Scissors  
Micro Ciseaux



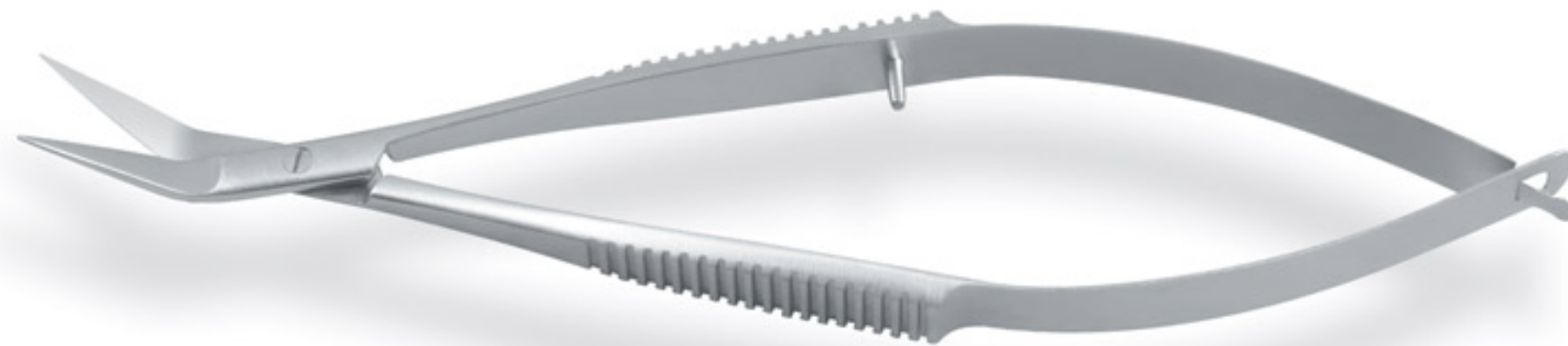
w w w . m a a r a i n . c o m



45.1902.10  
10 cm



Micro Scissor - Round Handle  
45.1898.15  
15 cm



Noyes  
45.0625.12  
12 cm

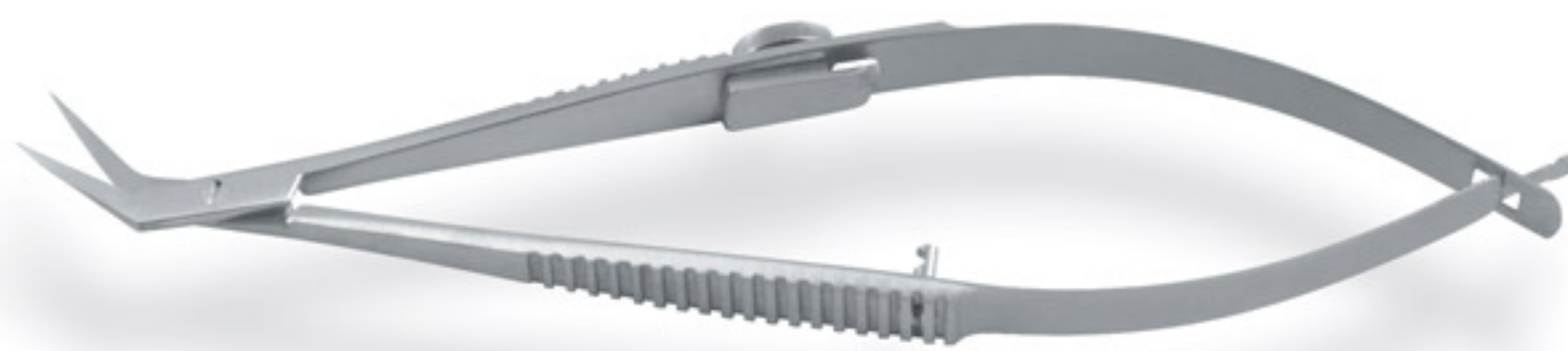
1/1



45.0677.10

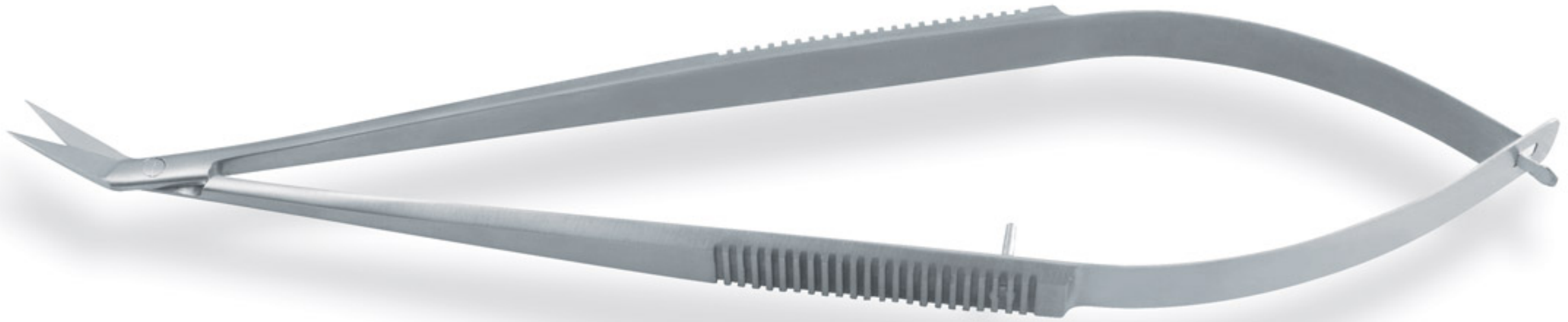


45.0681.10



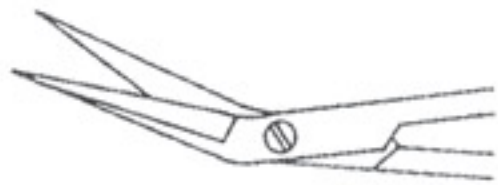
Katzin-Barraquer  
45.0677.10 - 45.0681.10  
10 cm



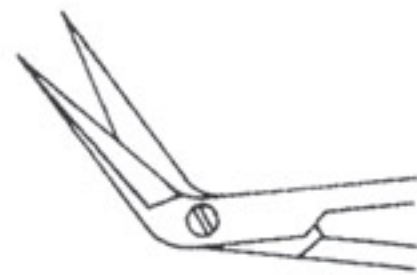


45.0545.18 - 45.0567.18  
18 cm

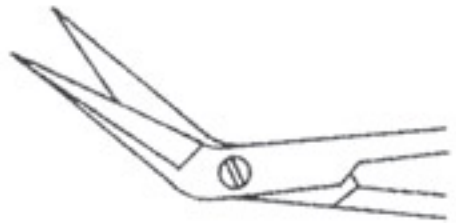
1/1



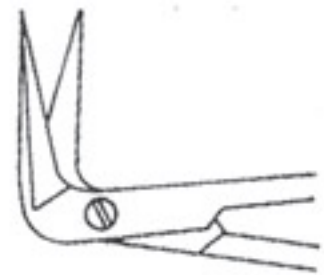
45.0545.18  
25°



45.0561.18  
60°



45.0553.18  
45°



45.0567.18  
90°

1/1



Castroviejo  
45.0809.11  
11 cm

Micro Scissors  
Micro Scissors  
Micro Ciseaux

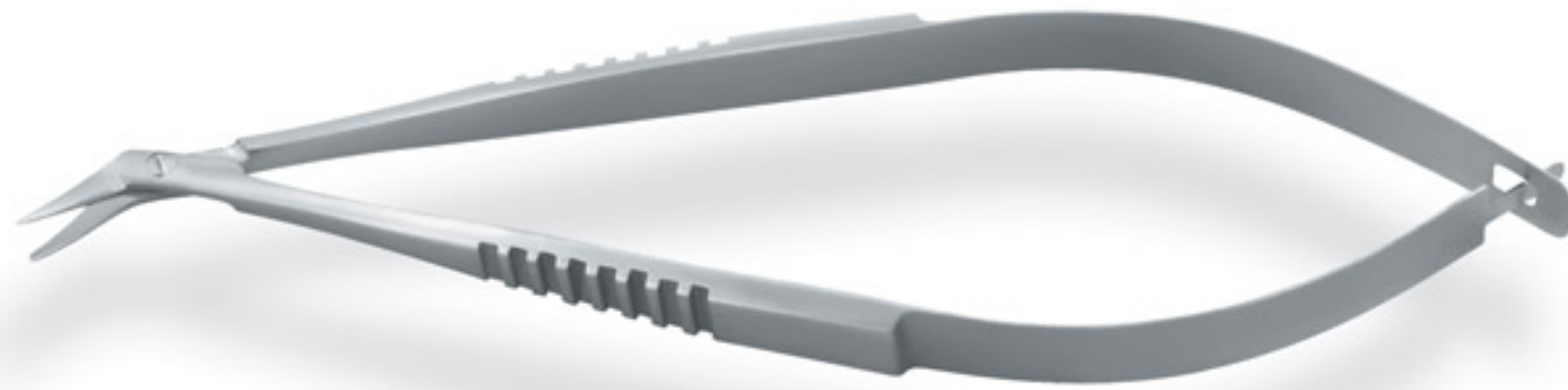
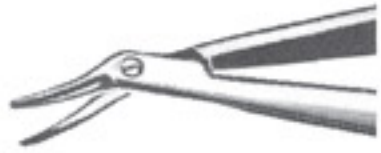


w w w . m a a r a i n . c o m



Castroviejo  
45.1910.00

1/1



Troutman  
45.1914.10  
10 cm

1/1



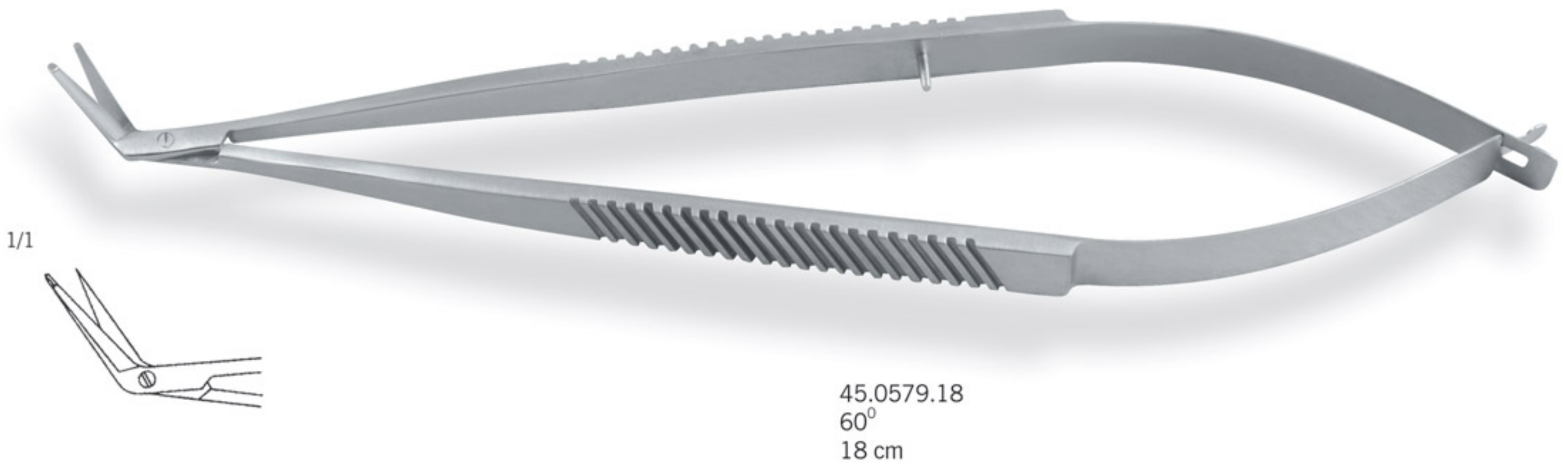
Troutman  
45.1922.10  
10 cm



1/1



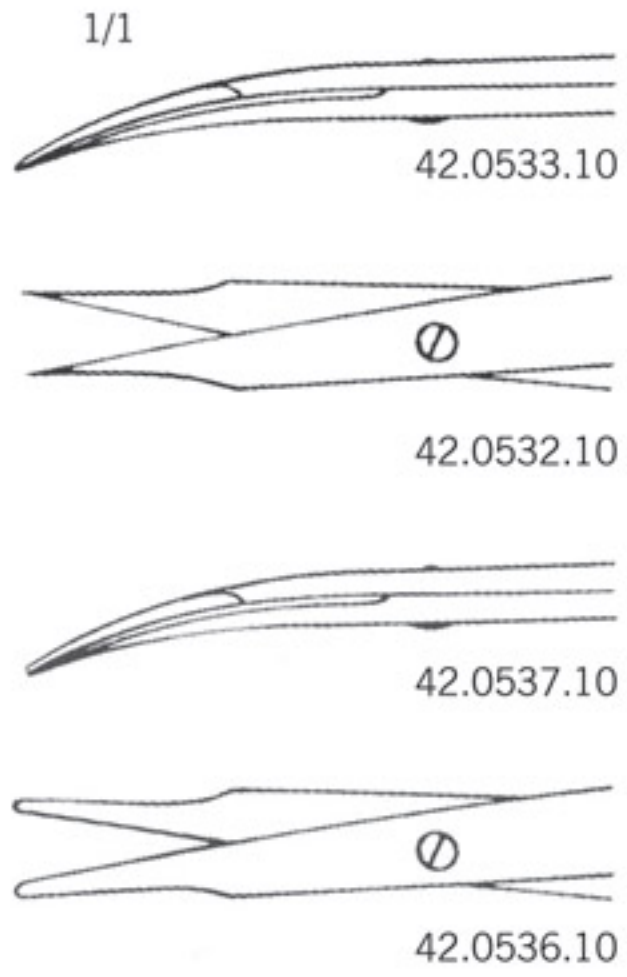
45.1918.15  
15 cm



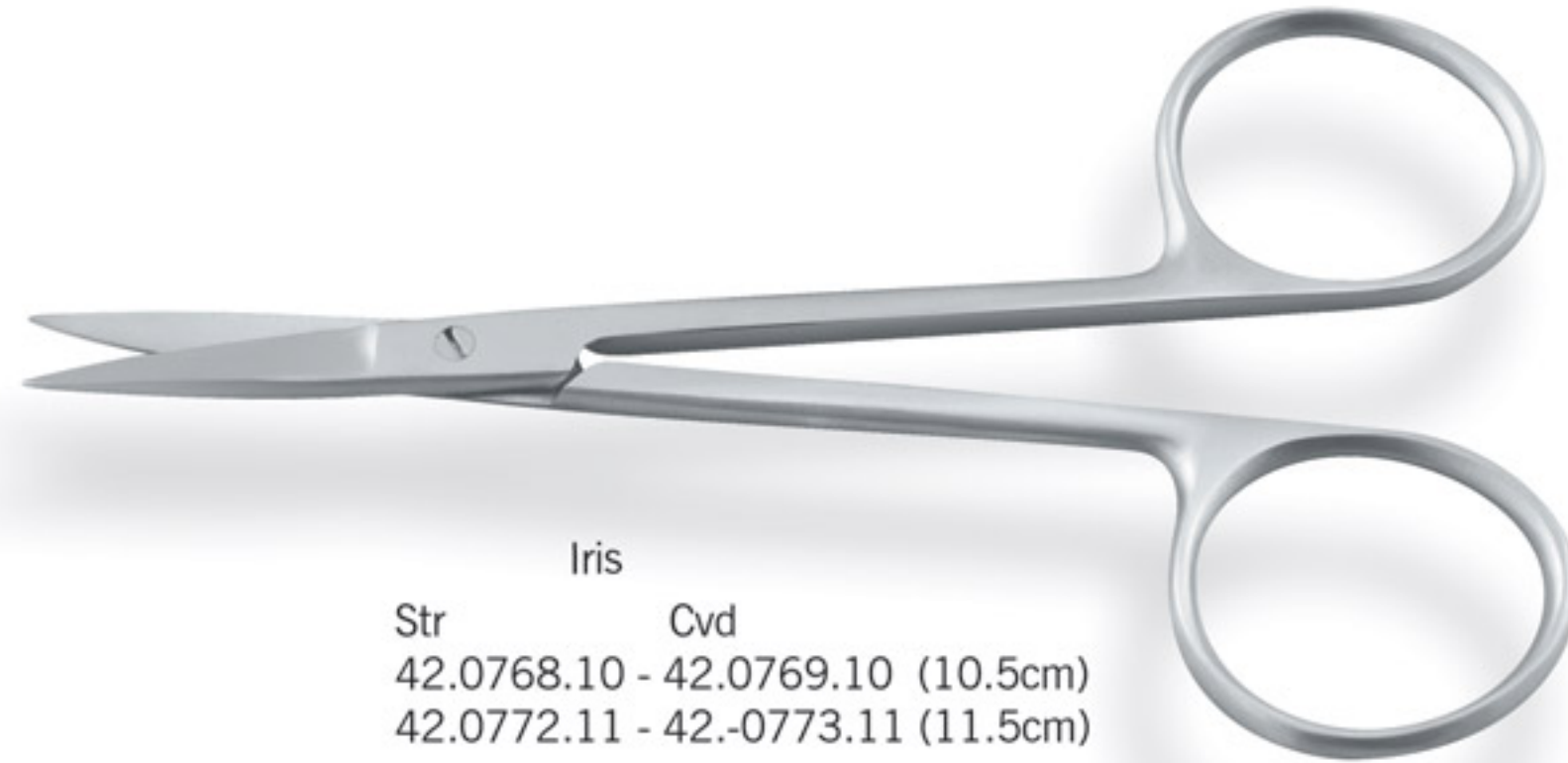
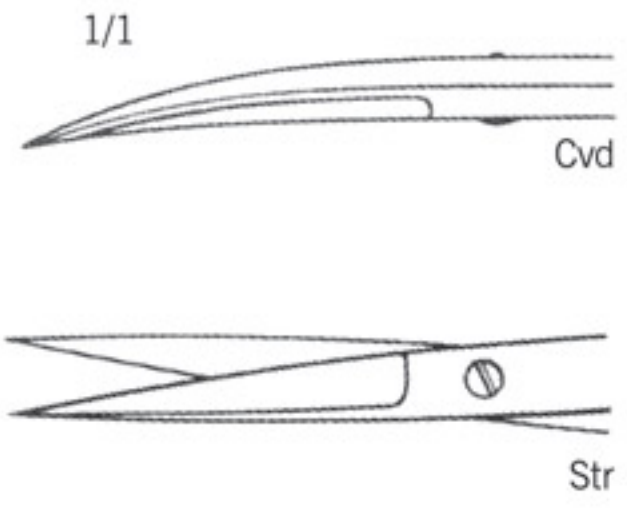
Eye Scissors  
 Eye Scissors  
 Ciseaux Oculaires



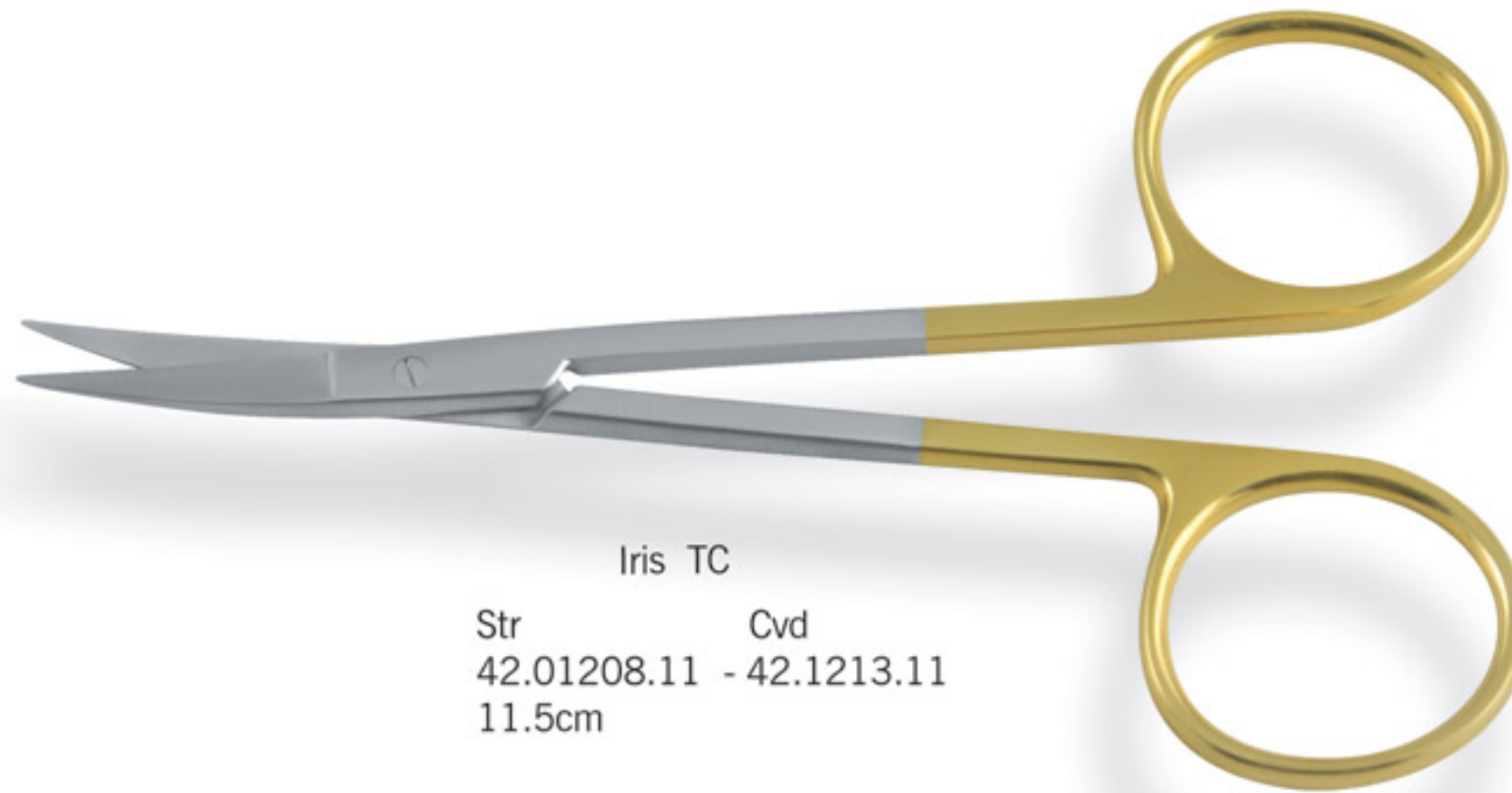
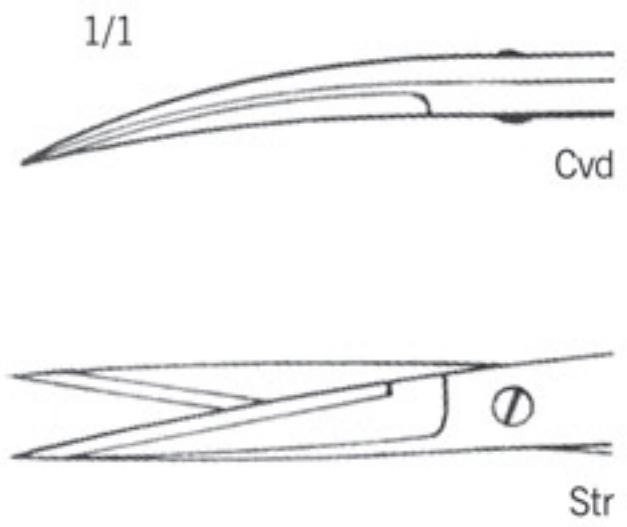
w w w . m a a r a i n . c o m



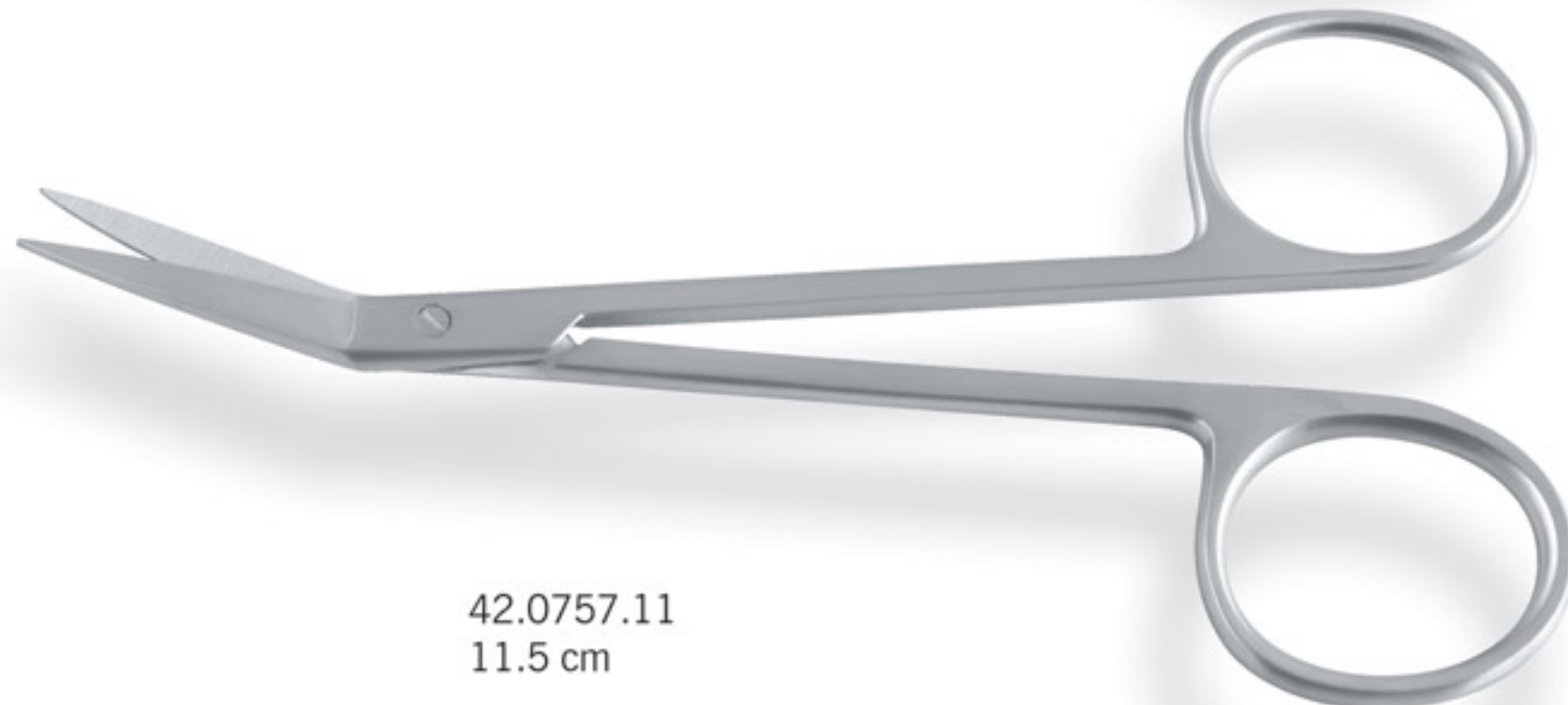
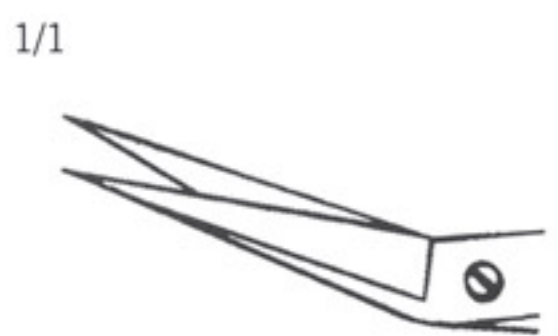
Stevens  
 Str Cvd  
 42.0532.10 - 42.0533.10  
 42.0536.10 - 42.0537.10  
 10.5 cm



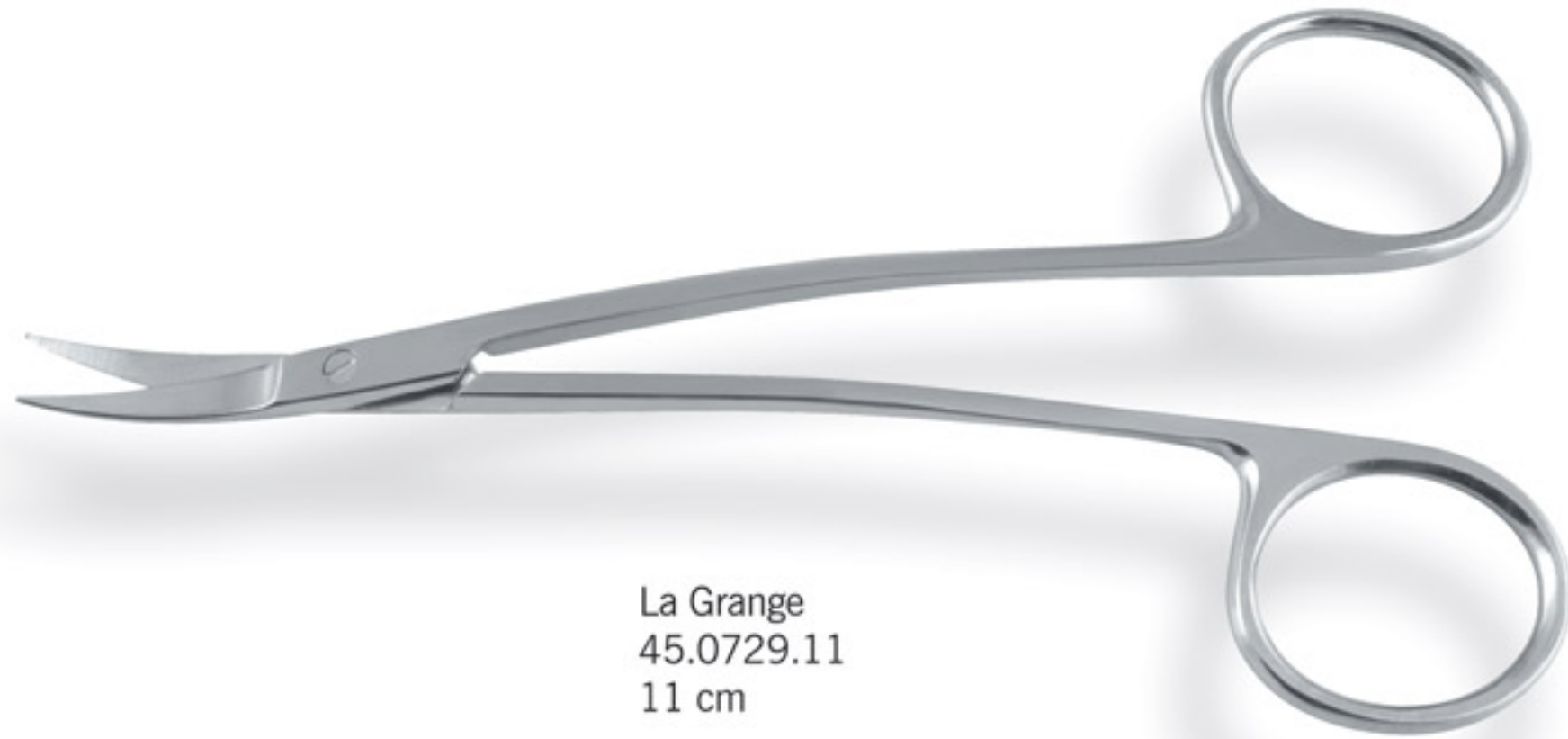
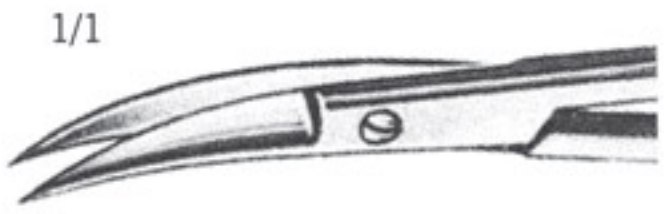
Iris  
 Str Cvd  
 42.0768.10 - 42.0769.10 (10.5cm)  
 42.0772.11 - 42.0773.11 (11.5cm)



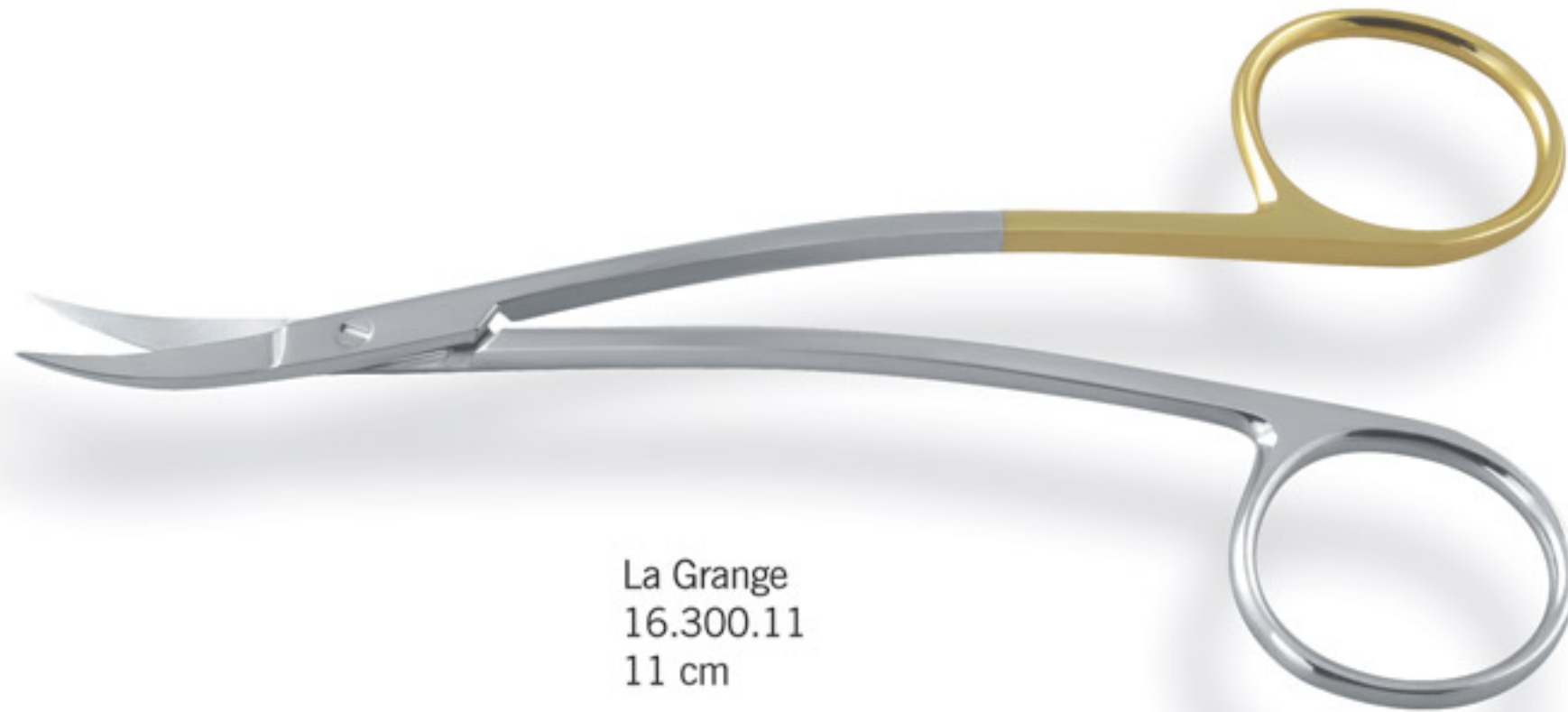
Iris TC  
 Str Cvd  
 42.01208.11 - 42.1213.11  
 11.5cm



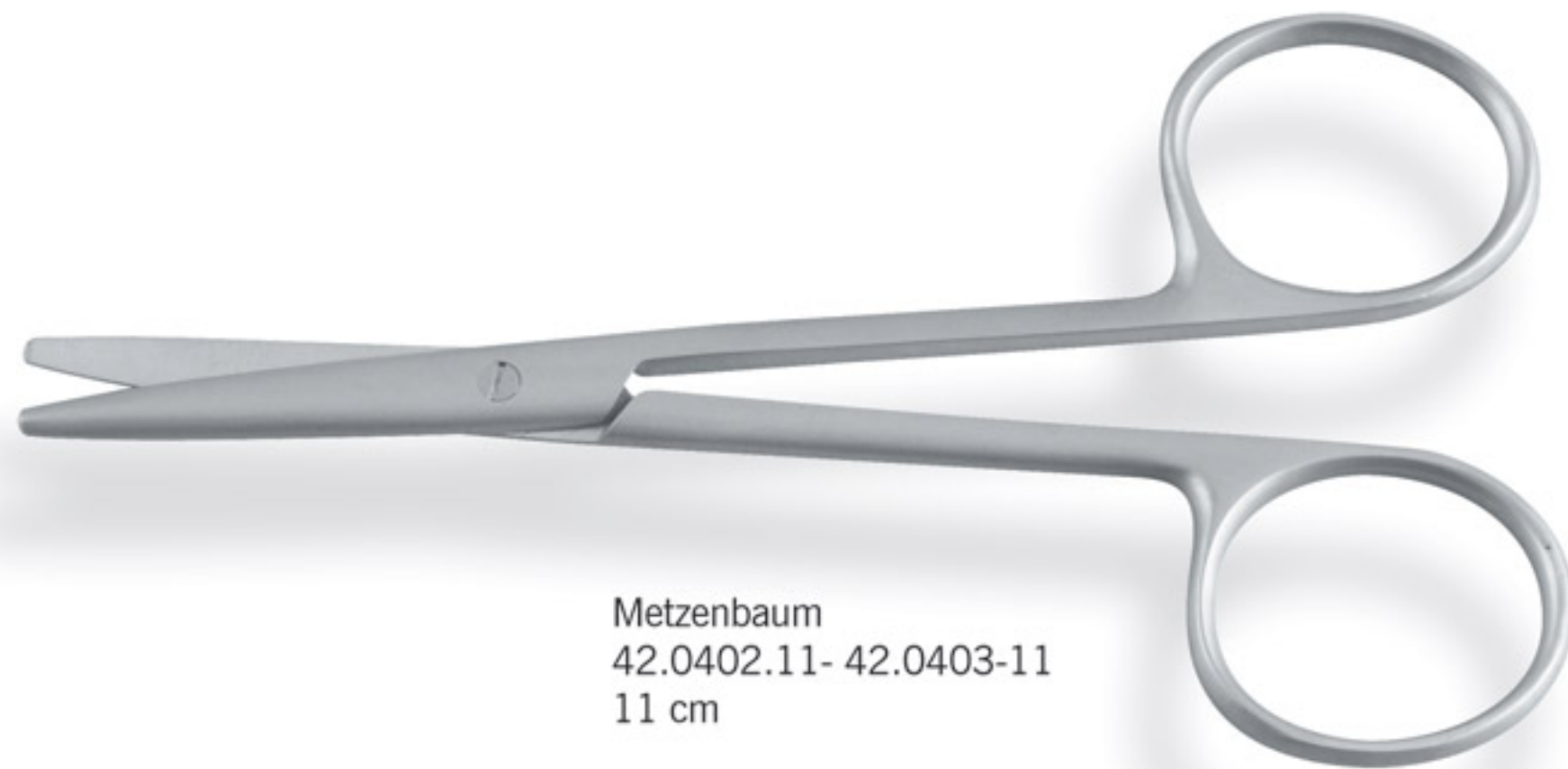
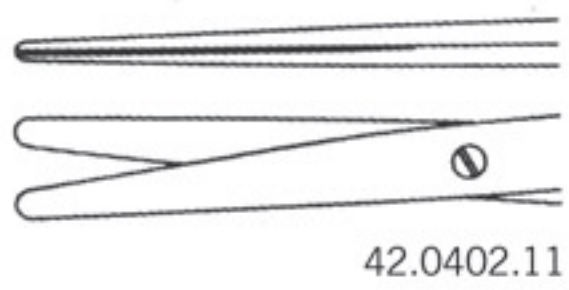
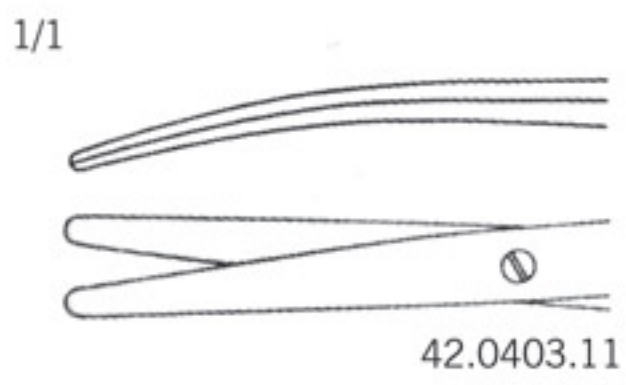
42.0757.11  
 11.5 cm



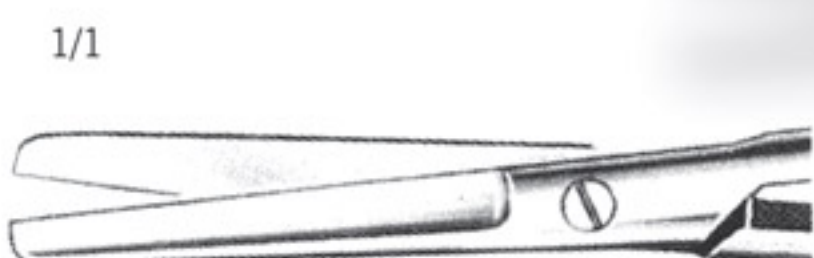
La Grange  
45.0729.11  
11 cm



La Grange  
16.300.11  
11 cm



Metzenbaum  
42.0402.11- 42.0403-11  
11 cm



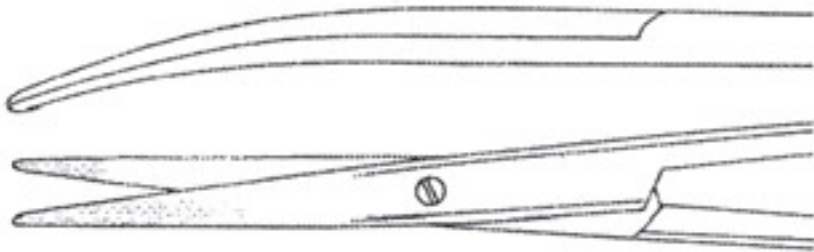
Wagner  
42.0800.12  
12 cm

Eye Scissors  
Eye Scissors  
Ciseaux Oculaires

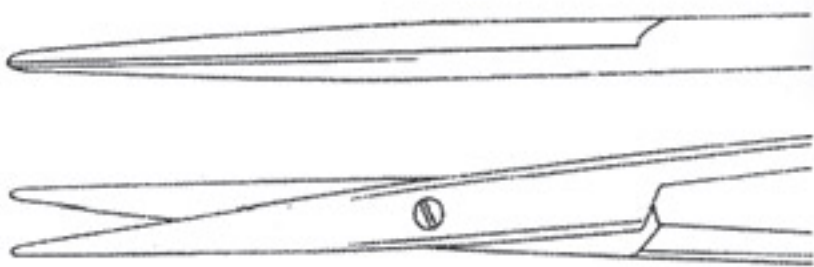


w w w . m a r a i n . c o m

1/1



16.179.11



16.178.11

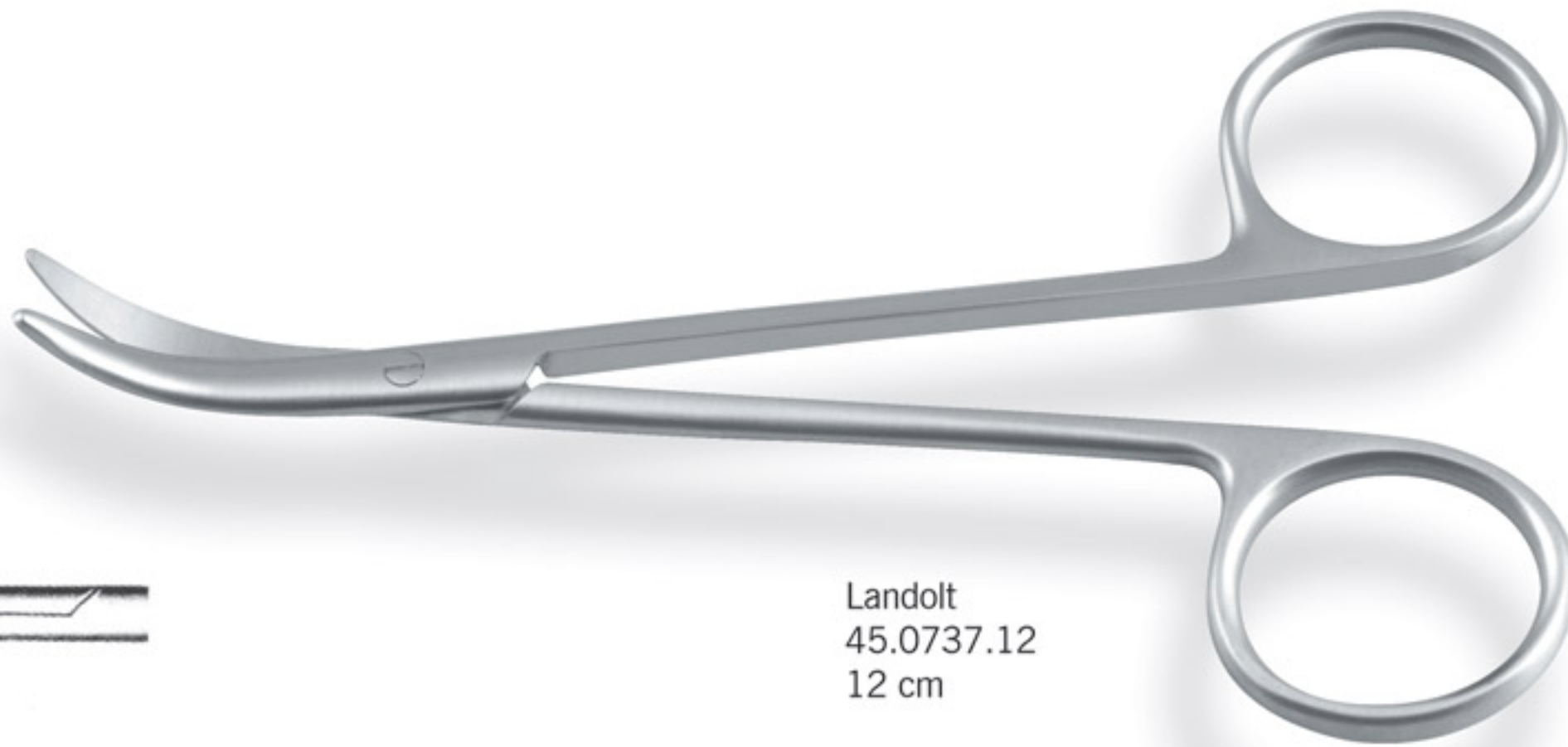


Strabismus  
16.178.11 - 16.179.11  
11 cm

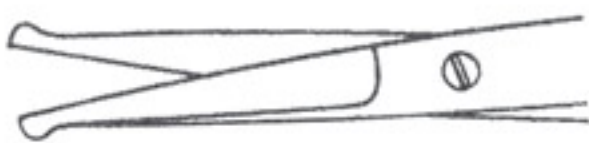
1/1



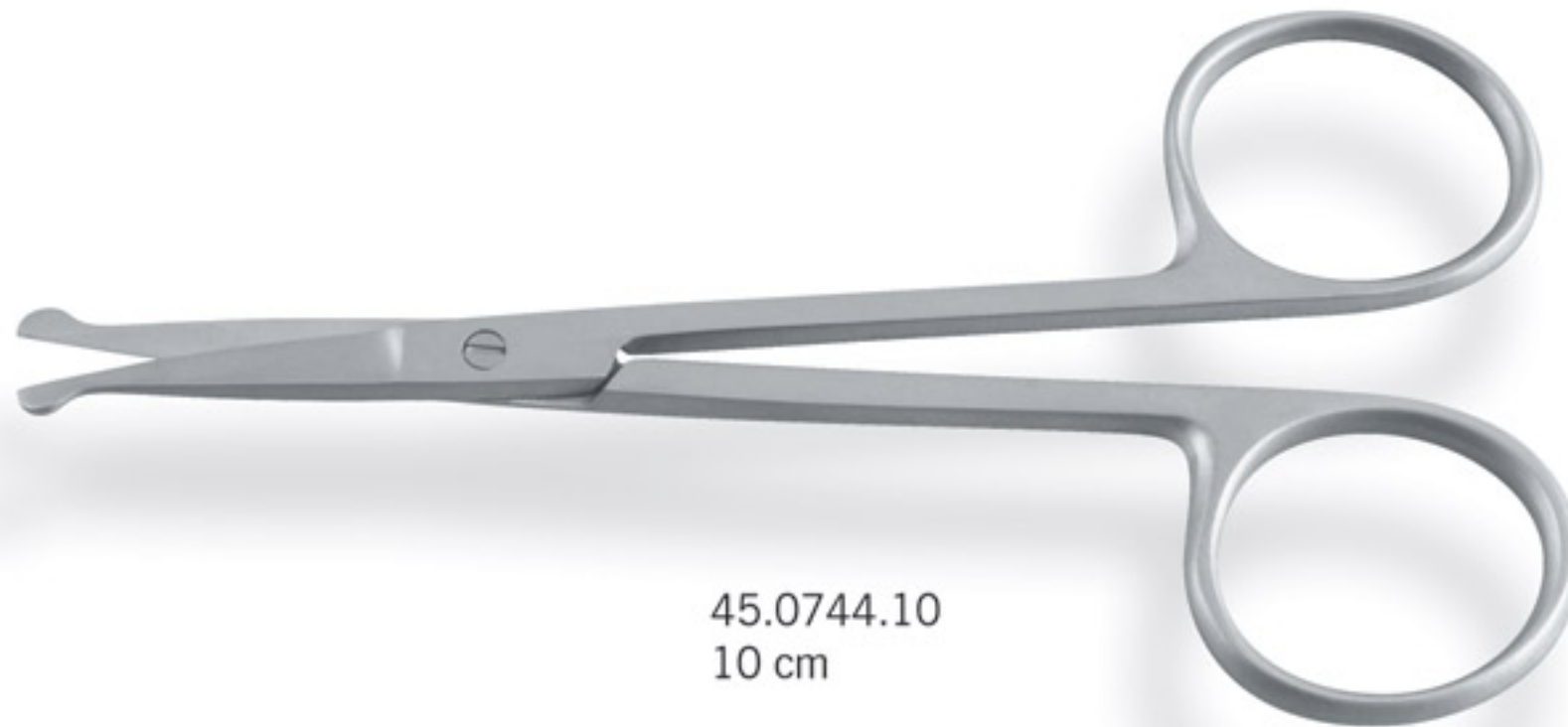
Landolt  
45.0737.12  
12 cm



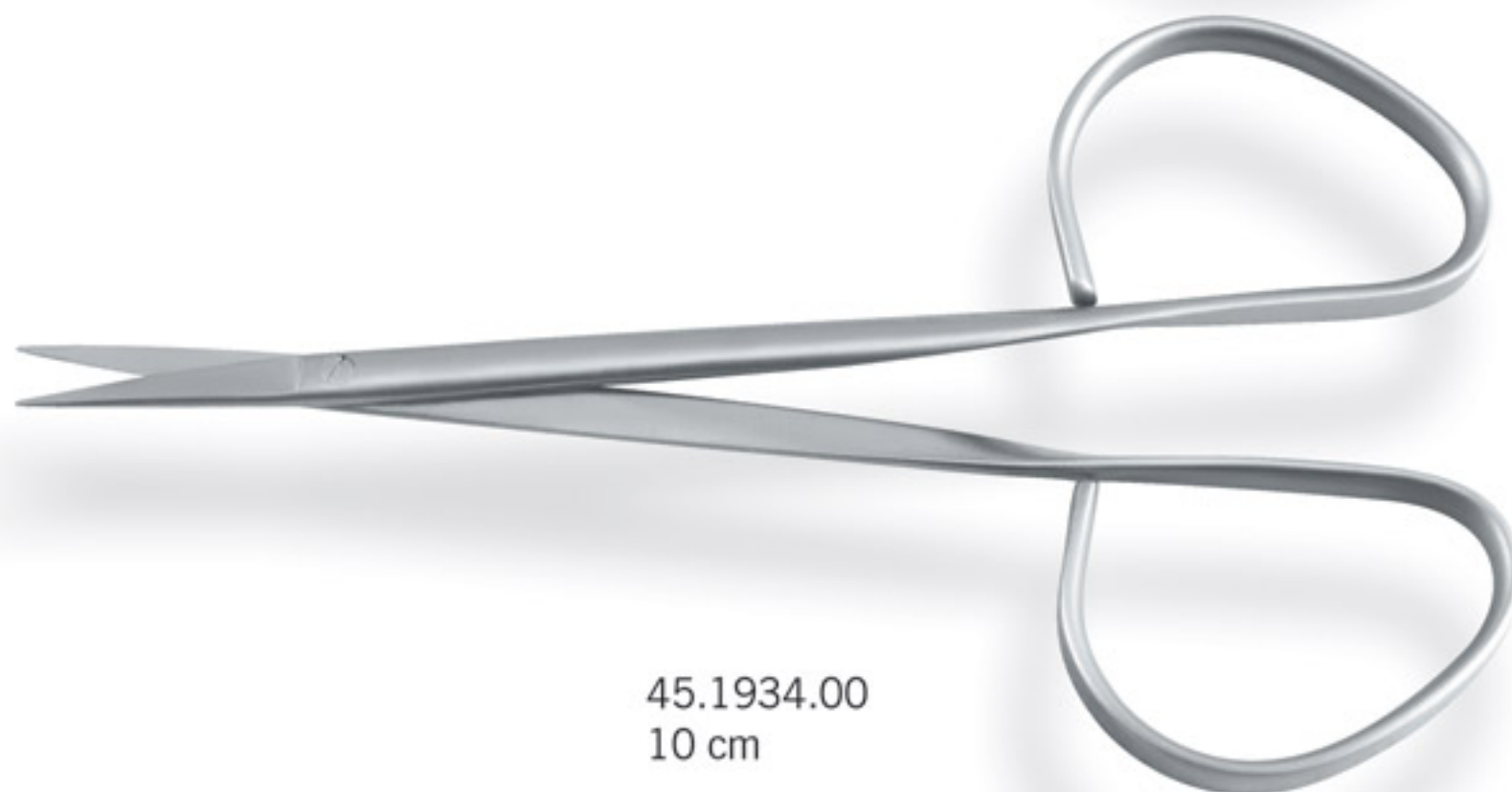
1/1



45.0744.10  
10 cm



45.1934.00  
10 cm



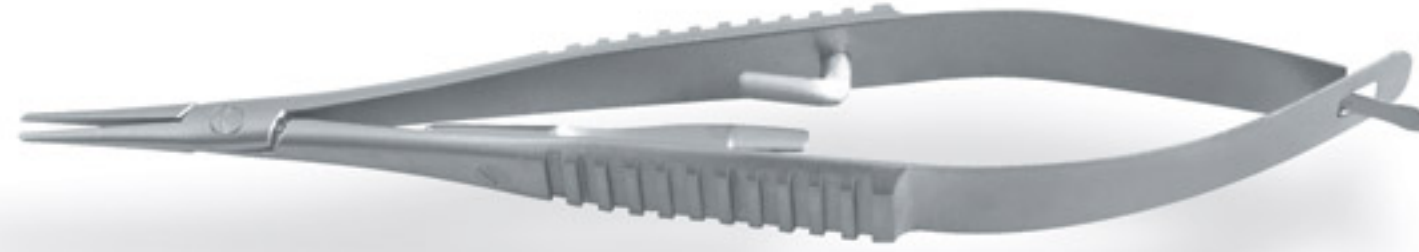
1/1



46.0811.09  
 46.1811.09



46.0808.09  
 46.1808.09

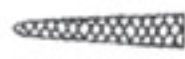


Castroviejo  
 46.0808.09 - 46.0811.09  
 46.1808.09 - 46.1811.09 **Titanium**  
 9 cm

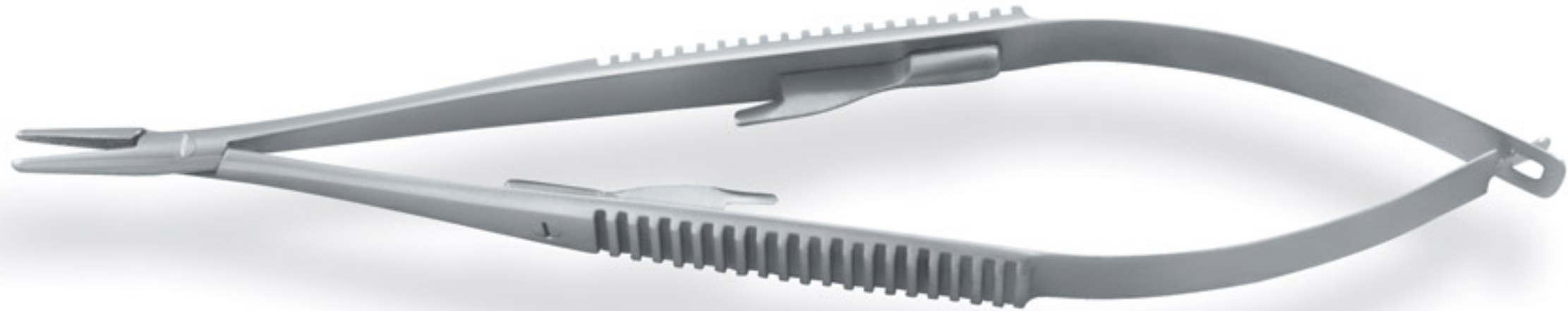
1/1



19.0141.14  
 19.1451.14



19.0140.14  
 19.1450.14



Castroviejo  
 19.0140.14 - 19.0141.14  
 19.1450.14 - 19.1451.14 **Titanium**  
 14 cm

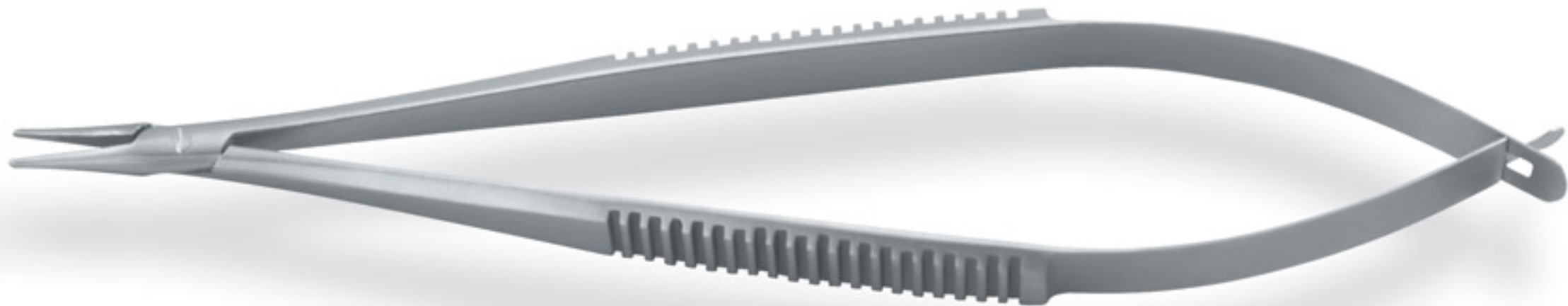
1/1



46.0831.14  
 46.1831.14



46.0828.14  
 46.1828.14

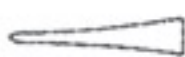


Castroviejo  
 46.0828.14 - 46.0831.14  
 46.1828.14 - 46.1831.14 **Titanium**  
 14 cm

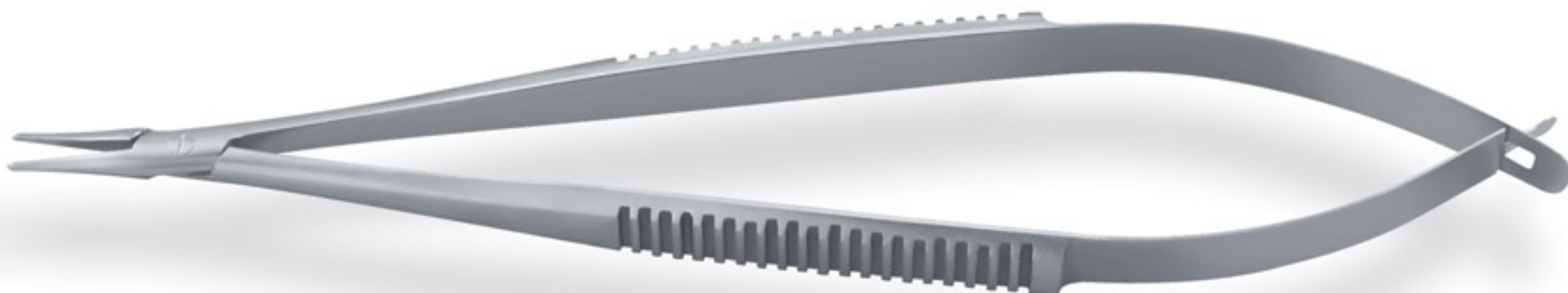
1/1



46.0825.14  
 46.1825.14



46.0822.14  
 46.1822.14

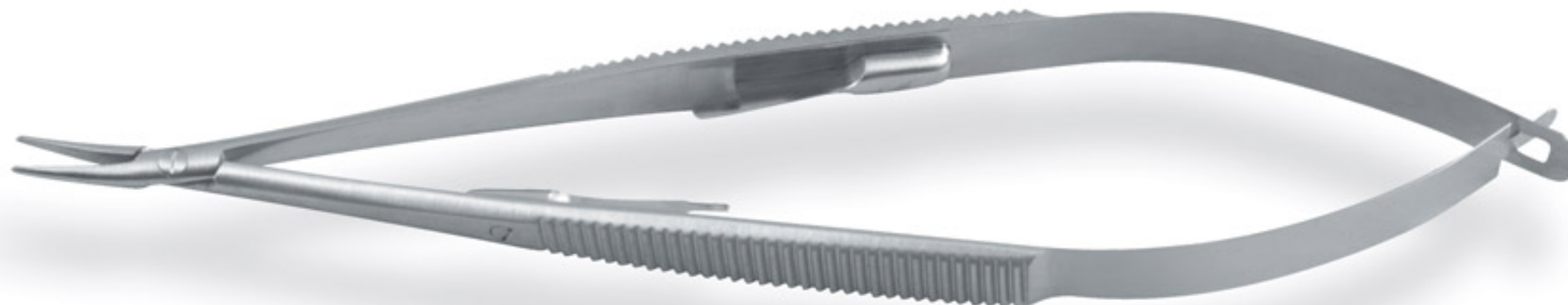


Castroviejo  
 46.0822.14 - 46.0825.14  
 46.1822.14 - 46.1825.14 **Titanium**  
 14 cm

Micro Needle Holders  
Mikro Nadelhalter  
Micro Porte-aiguilles



w w w . m a a r a i n . c o m



Castroviejo  
45.1712.14  
45.1713.14 **Titanium**  
14 cm

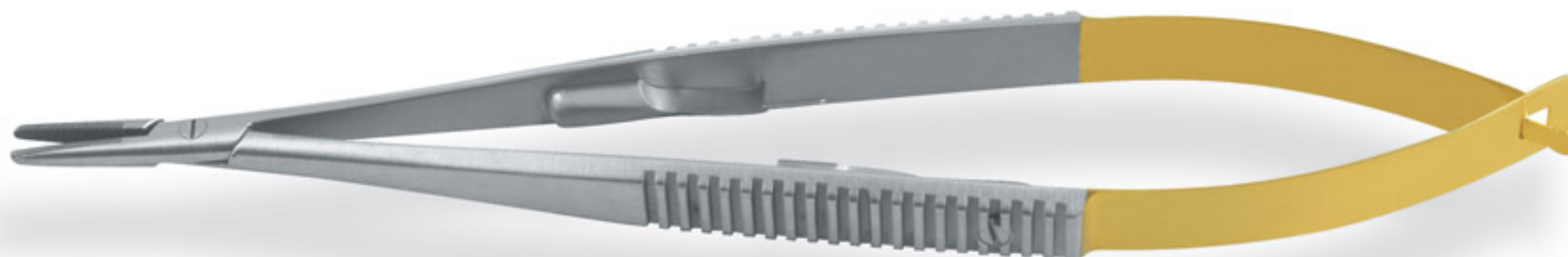
1/1



46.0669.14



46.0664.14

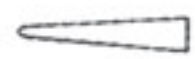


Castroviejo TC  
46.0664.14 - 46.0669.14  
14 cm

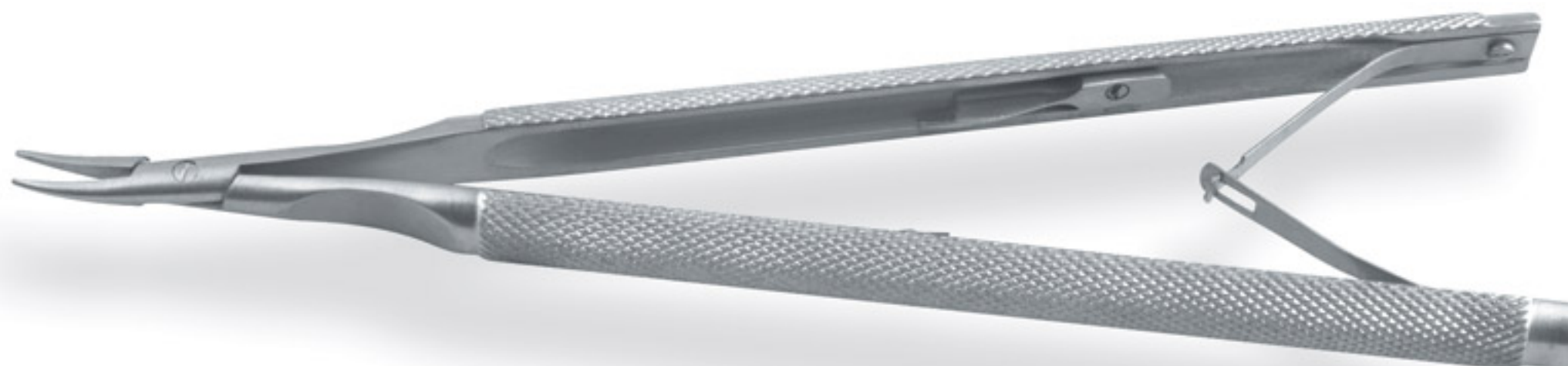
1/1



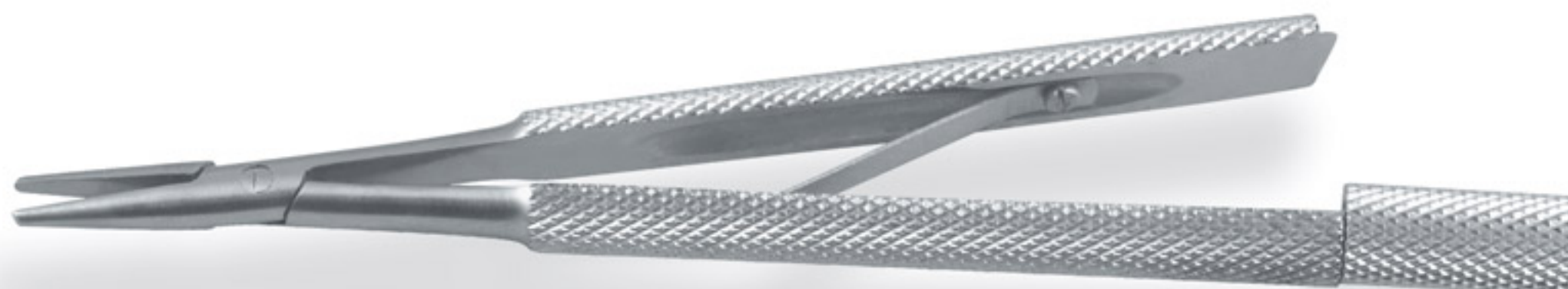
46.0971.13



46.0968.13



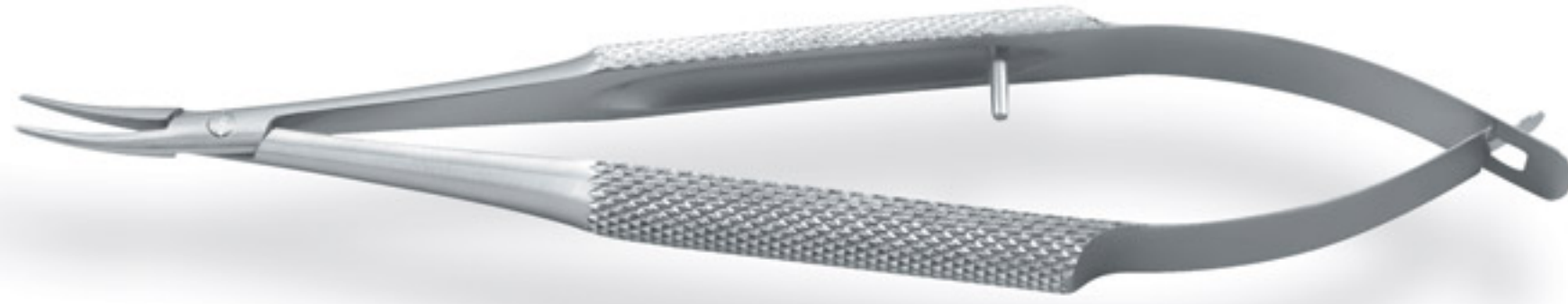
Castroviejo  
46.0968.13 - 46.0971.13  
13 cm



Castroviejo  
45.1724.08 9 cm  
45.1728.13 13 cm



1/1



Barraquer  
46.0871.11  
46.1871.11 Titanium  
11 cm

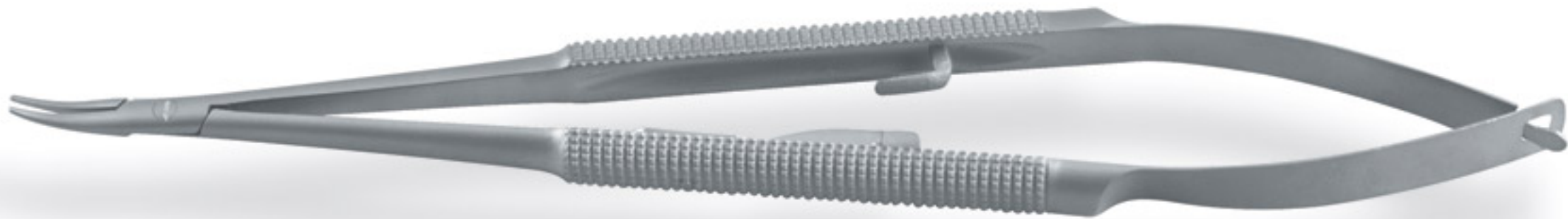
1/1



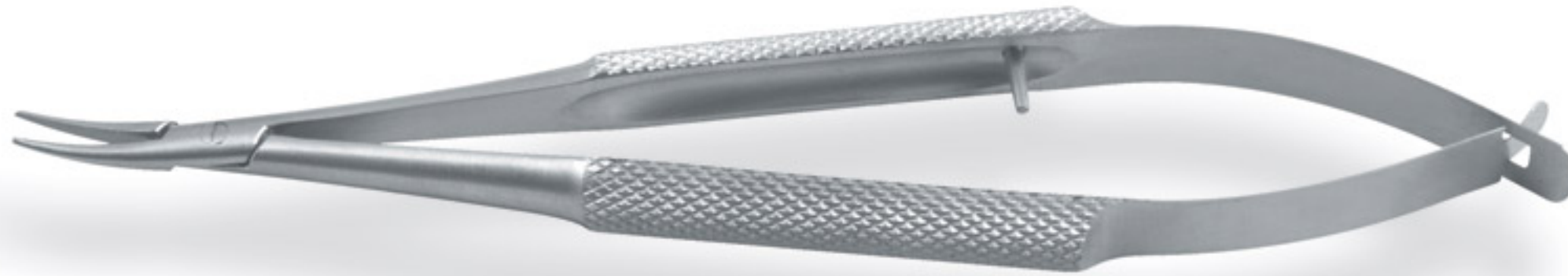
46.0887.14  
46.1887.14



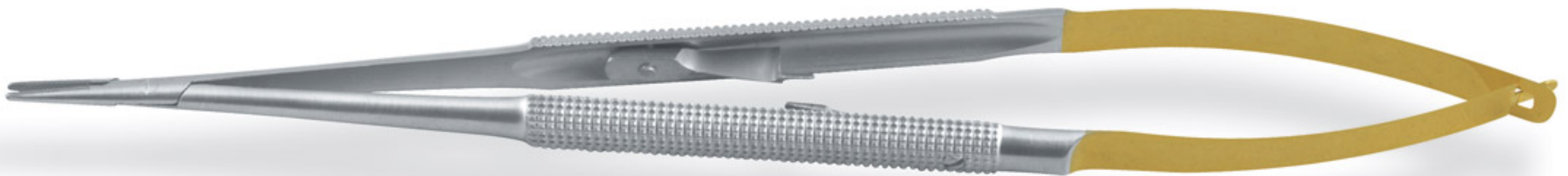
46.0884.14  
46.1884.14



Barraquer  
46.0884.14 - 46.0887.14  
46.1884.14 - 46.1887.14 Titanium  
14 cm



Barraquer  
45.1708.12  
45.1709.12 Titanium  
14 cm



Barraquer TC  
45.1716.18  
18 cm




Barraquer  
45.1720.11  
11 cm

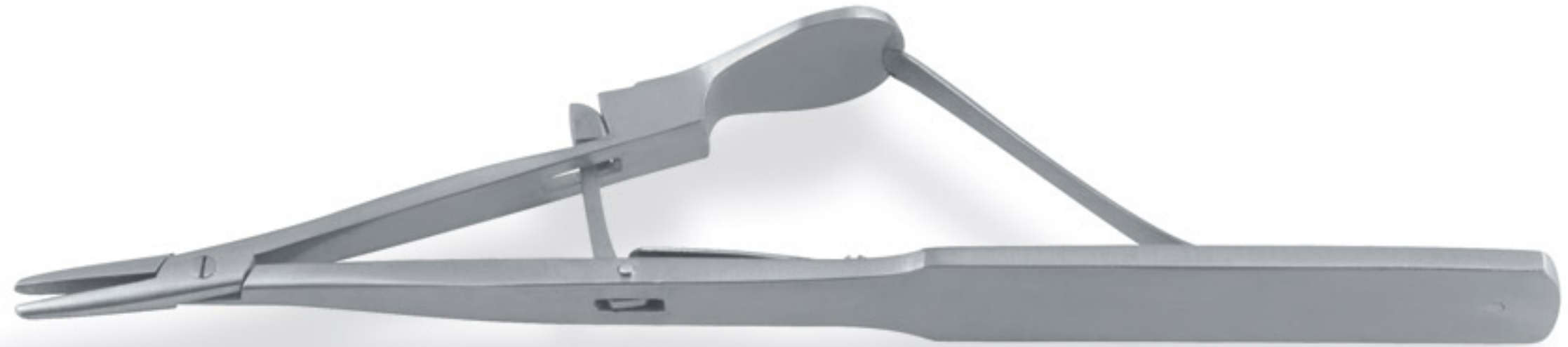
Micro Needle Holders  
 Mikro Nadelhalter  
 Micro Porte-aiguilles



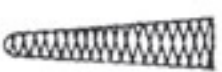

www.marrain.com

1/1  
  
 46.0791.14

  
 46.0786.14





Arruga  
 46.0786.14 - 46.0791.14  
 14 cm

1/1  
  




Kalt  
 46.0796.14  
 14 cm

1/1  
  
 46.0685.12

  
 46.0682.12



Boynton TC  
 46.0682.12 - 46.0685.12  
 12 cm

1/1  
  
 46.0468.16

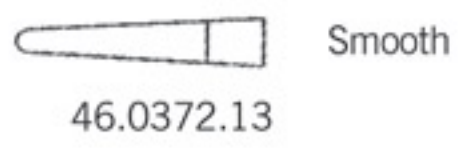
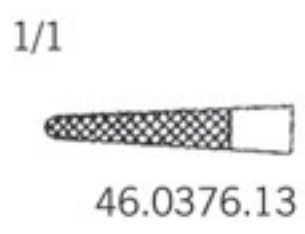
  
 46.0464.16



Arruga T/c  
 46.0464.16 - 46.0468.16  
 16 cm



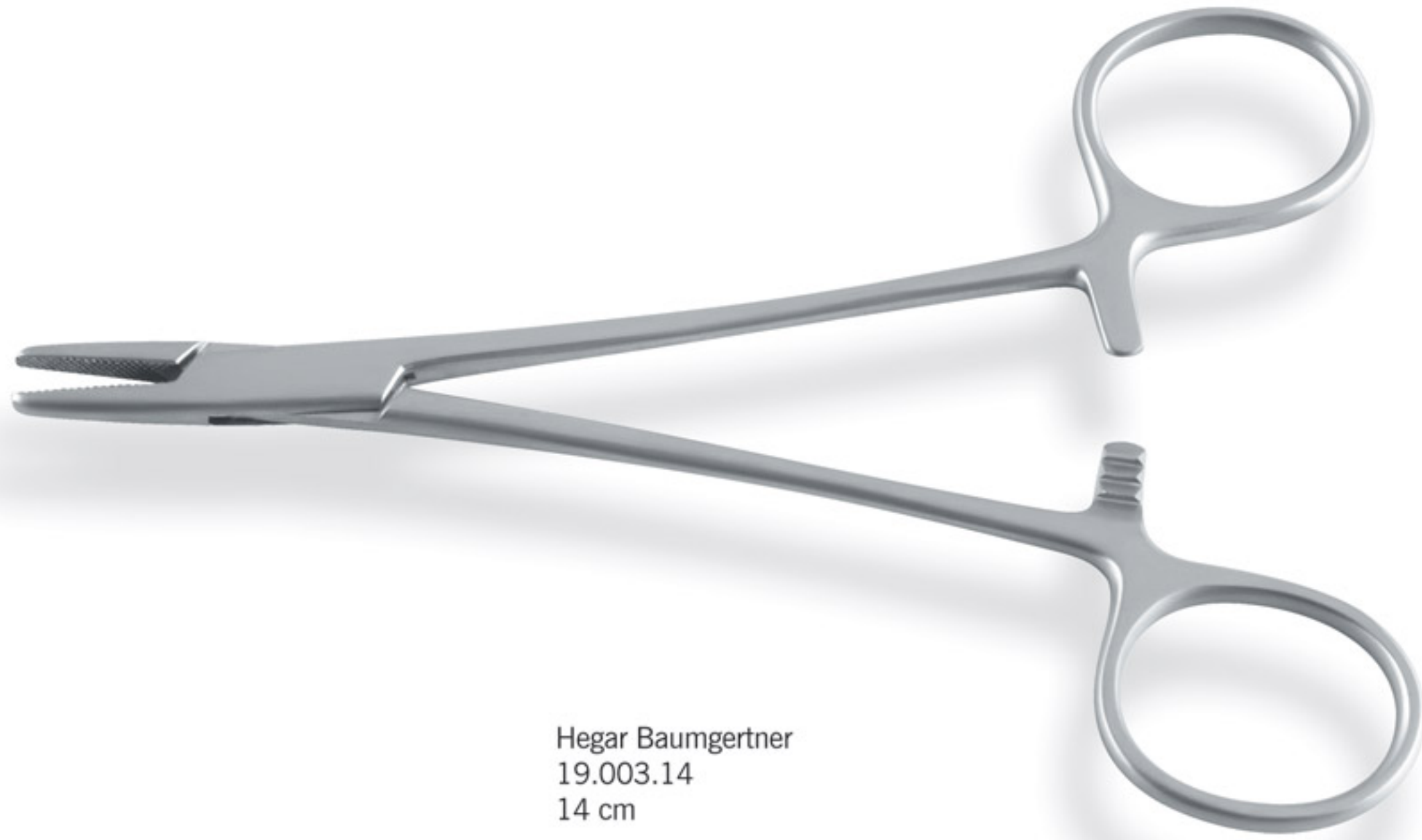
Halsey  
46.0288.13  
13 cm



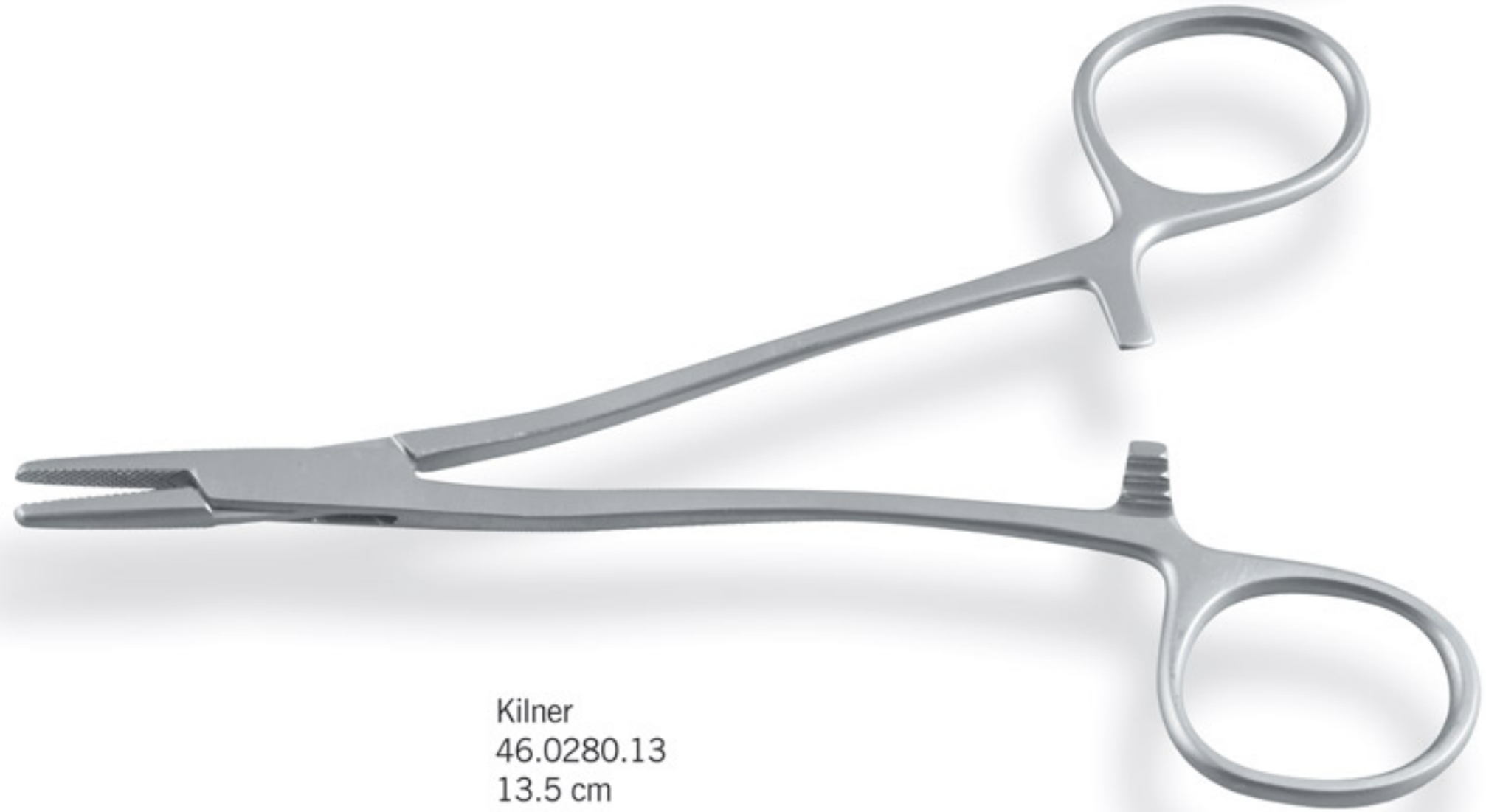
Halsey TC  
46.0372.13 - 46.0376.13  
13 cm



Derf-Converse  
46.0260.12  
12.5 cm



Hegar Baumgartner  
19.003.14  
14 cm



Kilner  
46.0280.13  
13.5 cm



Kilner TC  
46.0364.13  
13.5 cm

1/1



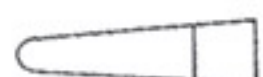
Derf  
46.0248.12  
12 cm

1/1



Derf TC  
46.0368.12  
12 cm

1/1



Smooth



Webster TC  
46.0380.13  
13 cm

Needle Holders  
Nadelhalter  
Porte-aiguilles

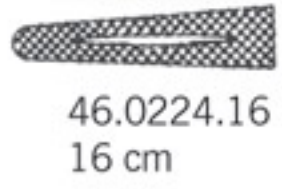


w w w . m a a r a i n . c o m

1/1



46.0228.18  
18 cm



46.0224.16  
16 cm

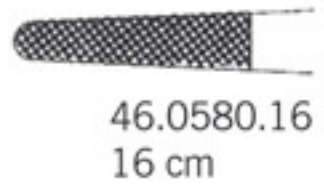


Mayo - Hegar  
46.0224.16 - 46.0228.18

1/1



46.0584.18  
18 cm



46.0580.16  
16 cm



Mayo - Hegar TC  
46.0580.16 - 46.0584.18

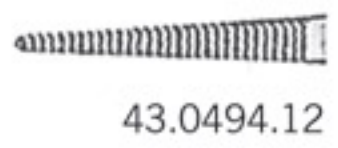
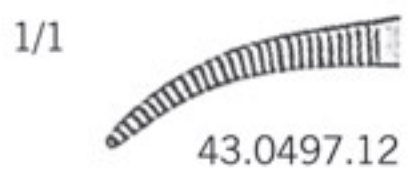
1/1



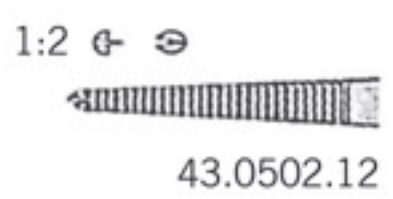
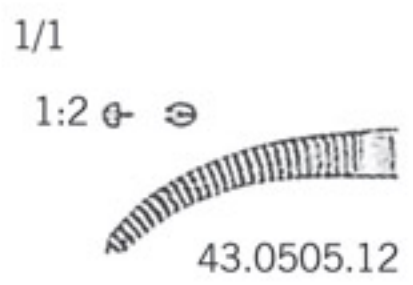
Crile - Wood TC  
46.0602.15  
15 cm



Baby-Mosquito  
46.0825.10 - 43.0377.10  
10 cm



Mosquito  
43.0494.12 - 43.0497.12  
12.5 cm

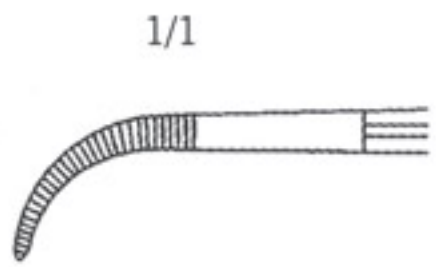


Halsted-Mosquito  
43.0502.12 - 43.0505.12  
12.5 cm

Artery Forceps, Towel Clamps  
Arterienklemmen, Tuchklemmen  
Pincés Hemostatiques, Pincés a Champs



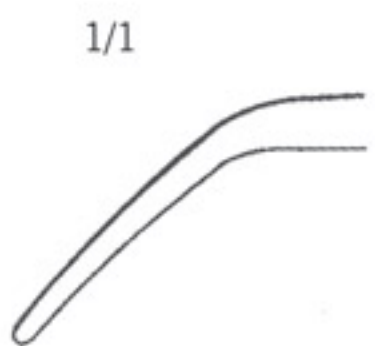
w w w . m a a r a i n . c o m



Baby-Adson  
43.0317.14  
14 cm



Dieffenbach  
55.0256.05  
5 cm



Backhaus  
43.0865.08 8 cm  
43.0869.11 11 cm  
43.0873.13 13 cm



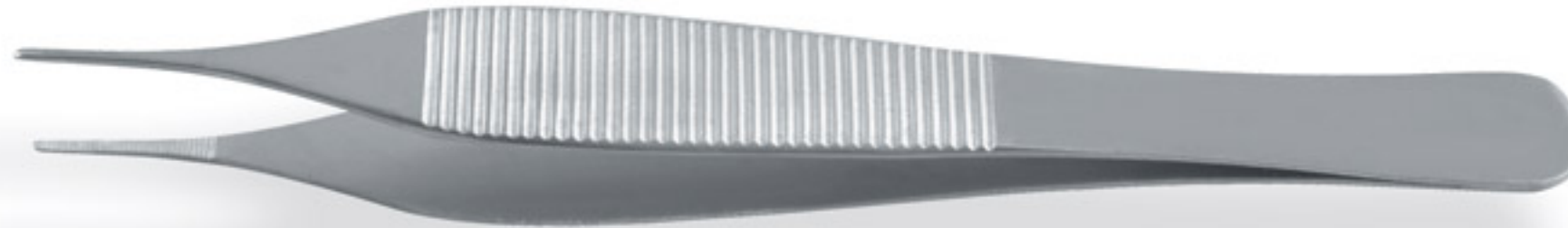
Micro Forceps, Iris Forceps  
 Mikro Pinzette, Iris Pinzetten  
 Micro Pincers, Pincers Pour l' Iris



1/1



44.0130.12 12 cm  
 44.1130.12 12 cm  
 44.0134.15 15 cm  
 44.1134.15 15 cm



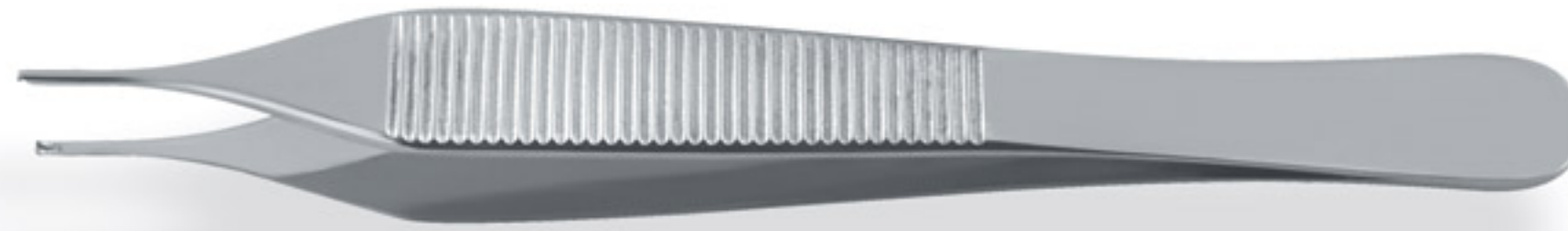
Micro Adson  
 44.0130.12 - 44.0134.15  
 44.1130.12 - 44.1134.15 Titanium

1/1

1:2



44.0138.12 12 cm  
 44.1138.12 12 cm  
 44.0142.15 15 cm  
 44.1142.15 15 cm



Micro Adson  
 44.0138.12 - 44.0142.15  
 44.1138.12 - 44.1142.15 Titanium



Graefe  
 45.0164.07 - 45.0250.10

1/1

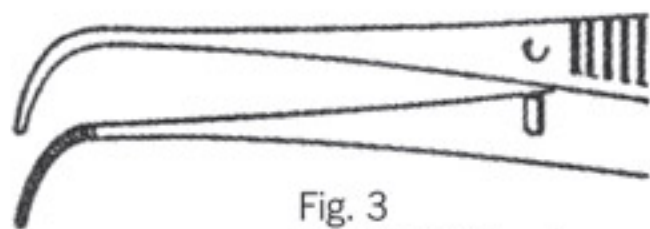


Fig. 3  
 45.0179.07 7 cm  
 45.0181.10 10 cm

1:2

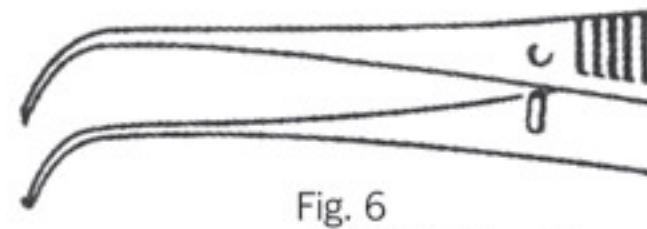


Fig. 6  
 45.0201.07 7 cm  
 45.0205.10 10 cm

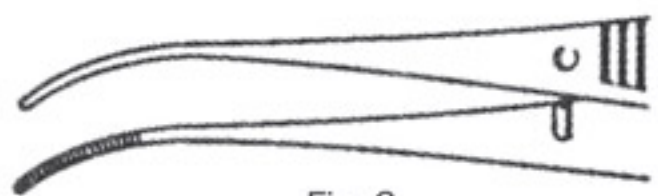


Fig. 2  
 45.0171.07 7 cm  
 45.0175.10 10 cm

1:2

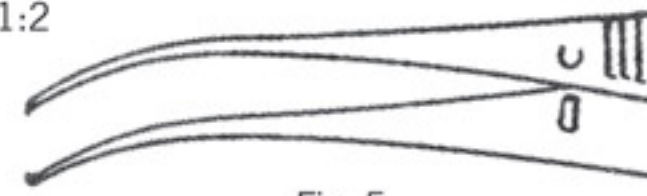


Fig. 5  
 45.0193.07 7 cm  
 45.0197.10 10 cm

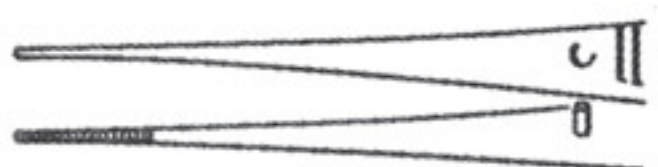


Fig. 1  
 45.0164.07 7 cm  
 45.0168.10 10 cm

1:2

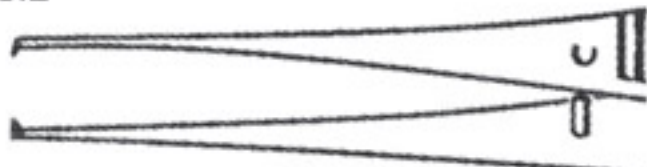


Fig. 4  
 45.0186.07 7 cm  
 45.0190.10 10 cm

Iris Forceps  
Iris Pinzetten  
Pincès Pour l' Iris



www.marrain.com

1/1

1:2



45.0221.05 0.5 mm  
45.0225.07 0.7 mm  
45.0229.10 1.0 mm

1:2



45.0220.05 0.5 mm  
45.0224.07 0.7 mm  
45.0228.10 1.0 mm



45.0209.05 0.5 mm  
45.0213.07 0.7 mm  
45.0217.10 1.0 mm



45.0208.05 0.5 mm  
45.0212.07 0.7 mm  
45.0216.10 1.0 mm



Graefe  
45.0208.05 - 45.0229.10

1/1

1:2

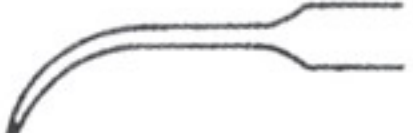


Fig.3  
45.0245.10  
45.1245.10

1:2



Fig.2  
45.0241.10  
45.1241.10

1:2

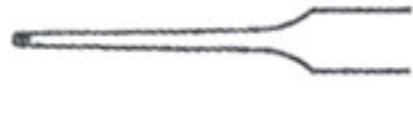


Fig.1  
45.0240.10  
45.1240.10



Fig.3  
45.0237.10  
45.1237.10



Fig.2  
45.0233.10  
45.1233.10

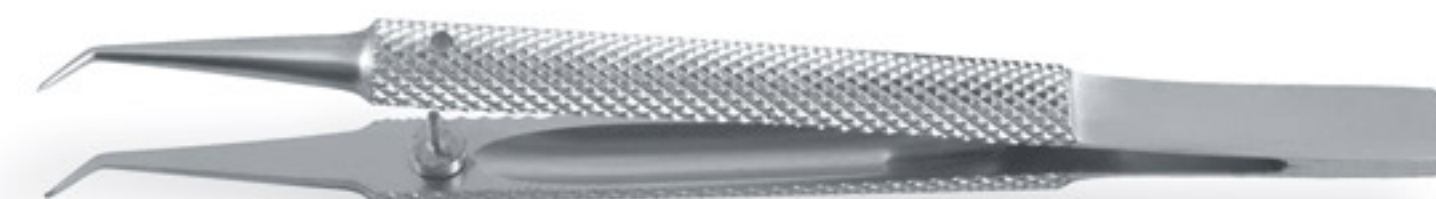


Fig.1  
45.0232.10  
45.1232.10



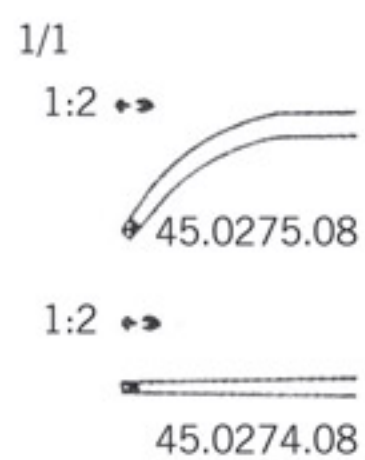
Stevens  
45.0232.10 - 45.0245.10  
45.1232.10 - 45.1245.10 **Titanium**  
10 cm

1/1

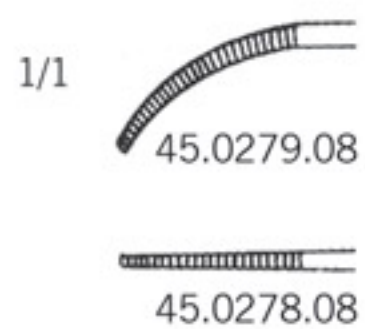


Kirby  
45.0271.09  
9.0 cm

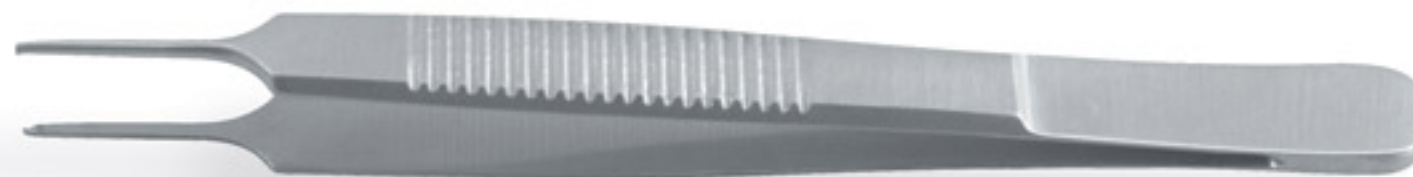
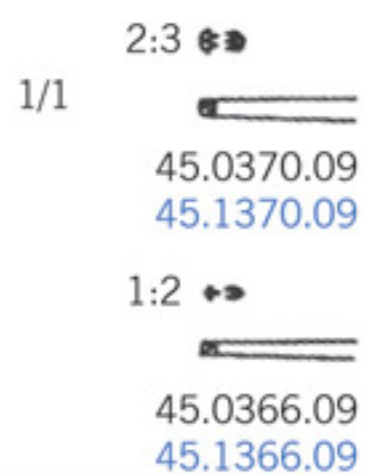
Iris Forceps  
Iris Pinzetten  
Pincès Pour l' Iris



Foerster  
45.0274.08 - 45.0275.08  
8.5 cm



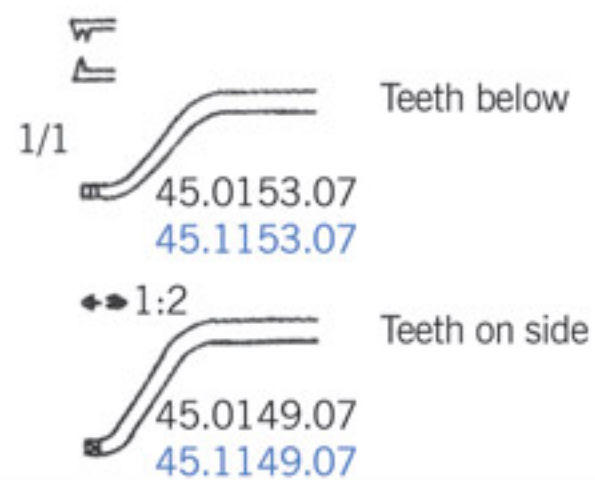
Foerster  
45.0278.08 - 45.0279.08  
8.5 cm



Lester  
45.0366.09 - 45.0370.09  
45.1366.09 - 45.1370.09 **Titanium**  
9.0 cm



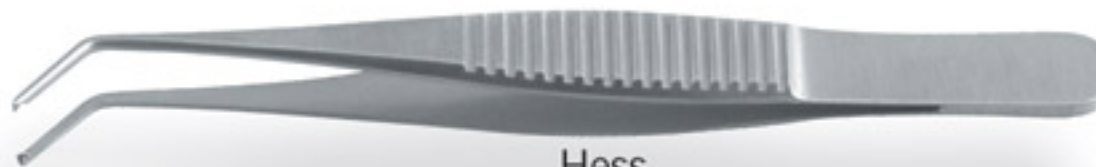
Bishop Harman  
45.0260.08 - 45.0264.08  
45.1260.08 - 45.1264.08 **Titanium**  
8.0 cm



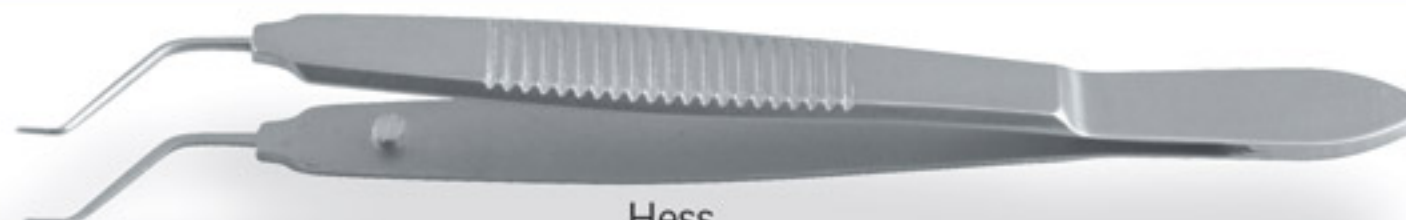
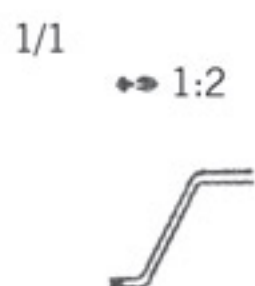
Gill Hess  
45.0149.07 - 45.0153.07  
45.1149.07 - 45.1153.07 **Titanium**  
7.0 cm



Hess  
45.1780.06  
45.1781.06 **Titanium**  
6.0 cm



Hess  
45.1776.07  
45.1777.07 **Titanium**  
7.0 cm



Hess  
45.0161.09  
45.1161.09 **Titanium**  
9.0 cm



Suture Forceps  
 45.1828.08  
 8.0 cm



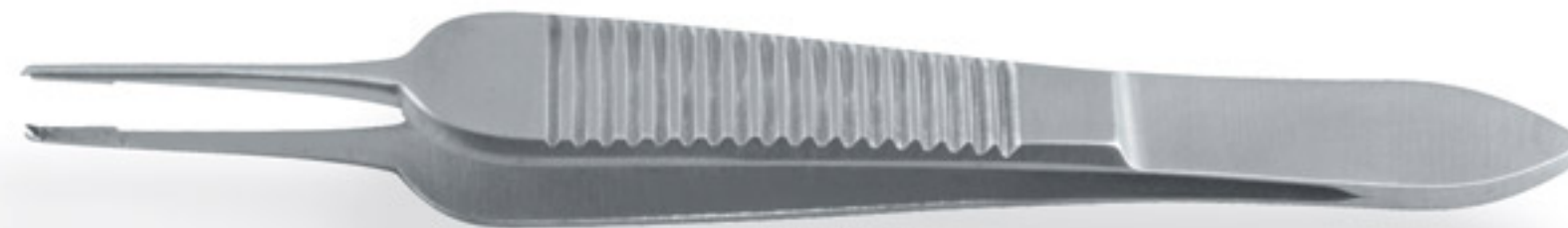
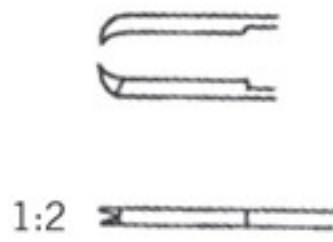
Suture Forceps  
 45.1832.10  
 10 cm



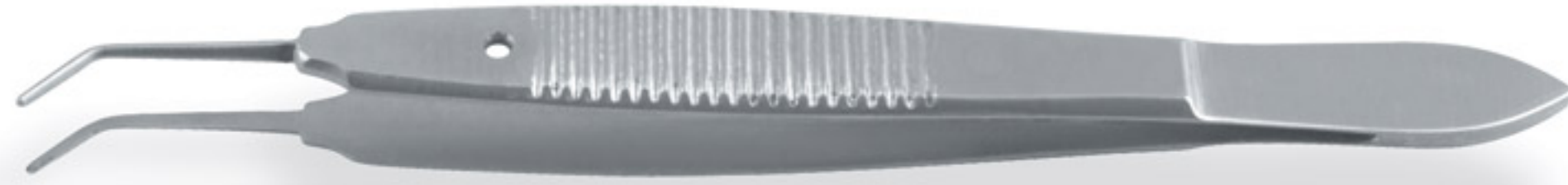
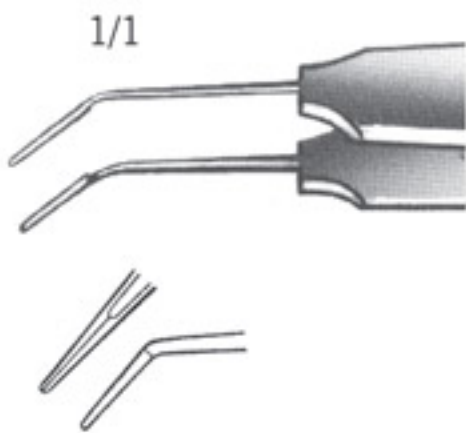
Suture Forceps  
 45.1836.08  
 8.0 cm



Paufigue  
 45.1812.10  
 45.1813.10 **Titanium**  
 10 cm



Paufigue  
 45.0354.10  
 45.1354.10 **Titanium**  
 10 cm



McPherson  
 45.1820.10  
 45.1821.10 **Titanium**  
 10 cm

1/1		45.0307.10	0.12 mm
		45.0311.10	0.30 mm
1:2		45.0315.10	0.50 mm
		45.0319.10	1.0 mm
		45.0323.10	1.5 mm

1:2		45.0306.10	0.12 mm
		45.0310.10	0.30 mm
		45.0314.10	0.50 mm
		45.0318.10	1.0 mm
		45.0322.10	1.5 mm



Castroviejo  
 45.0306.10 - 45.0322.10 (Str)  
 45.0307.10 - 45.0323.10 (Cvd)

Skeleton Forceps, Fixation Forceps  
 Skeleton Pinzetten, Fixier Pinzette  
 Pincas a Skeleton, Pincas a Fixer



45.1808.00  
 0.4 x 10 mm



45.1804.00  
 0.3 x 10 mm



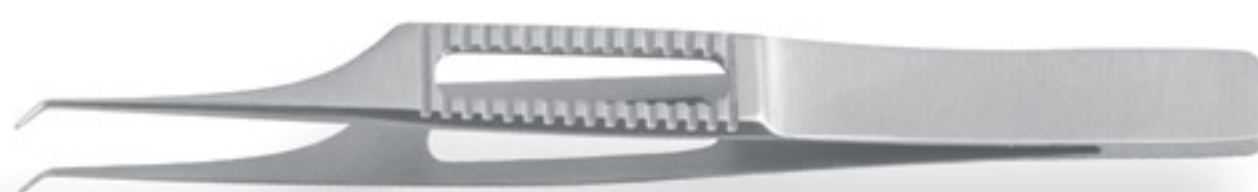
45.1800.00  
 0.2 x 10 mm



Dermot-Pierse  
 45.1800.08 - 45.1808.08  
 8.0 cm



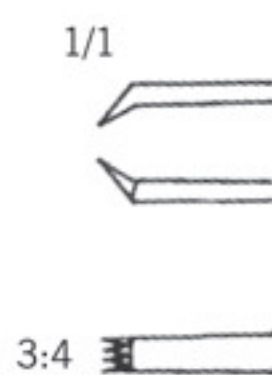
0.2 x 10 mm



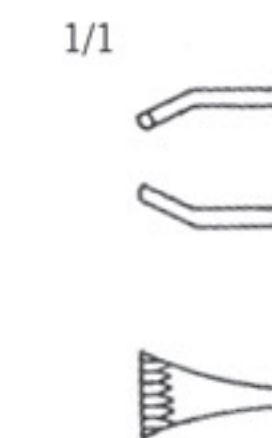
Dermot-Pierse  
 45.1792.08  
 8.0 cm



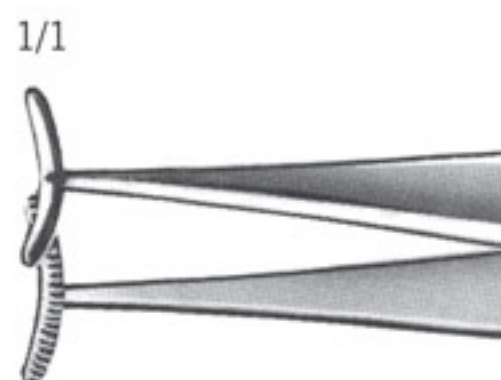
Barraquer Katzin  
 45.1784.07  
 7.0 cm



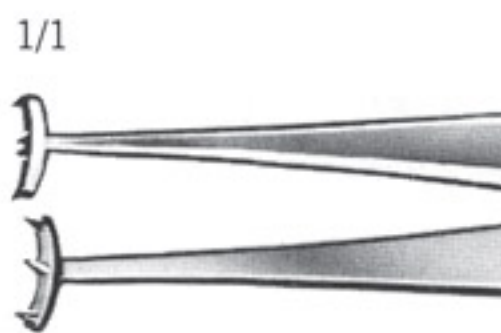
Elsching  
 45.0394.11  
 45.1394.11 **Titanium**  
 11 cm



Graefe  
 45.0382.11  
 45.1382.11 **Titanium**  
 11 cm



45.1870.07 5 cm  
 45.1874.10 10 cm



45.1860.07 5 cm  
 45.1866.10 10 cm

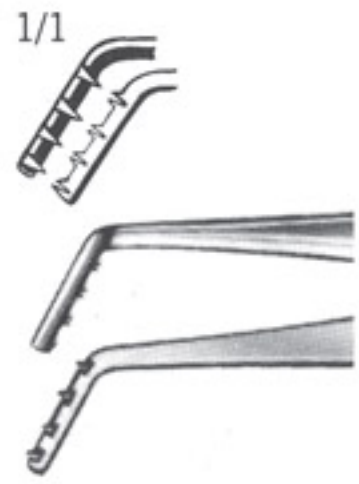
Muscular, Advancement & Entropium Forceps  
 Pince Musculaire, Advncement & Entropion  
 Muskulos, Advncement & Entropium Zange



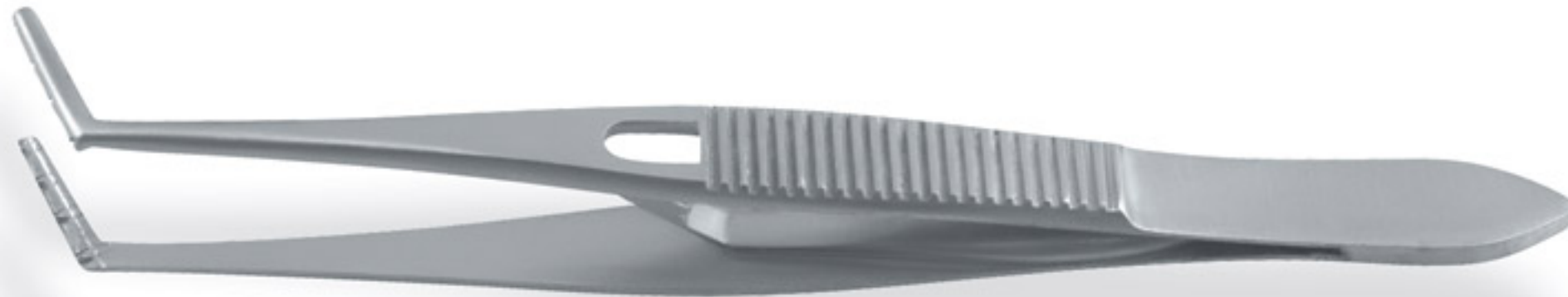
w w w . m a a r a i n . c o m



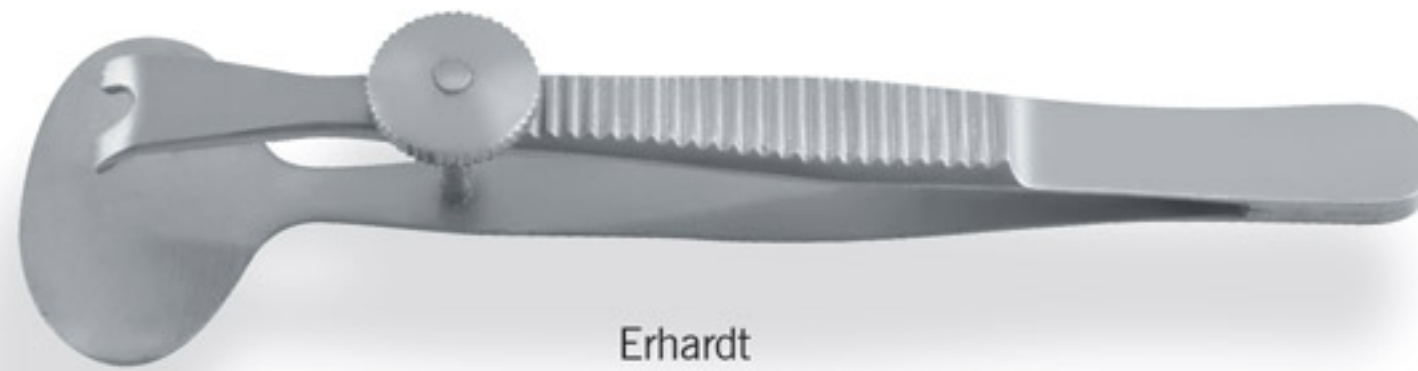
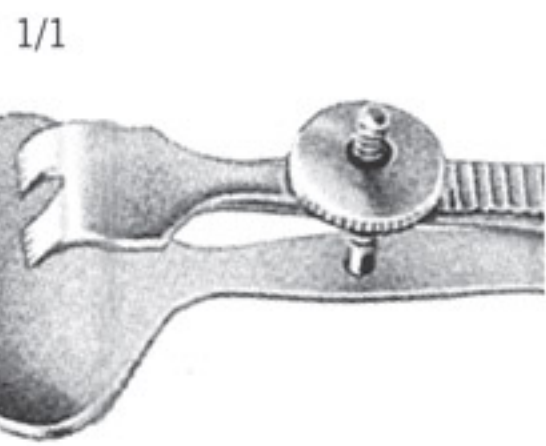
Sattler  
 45.1886.10  
 10 cm



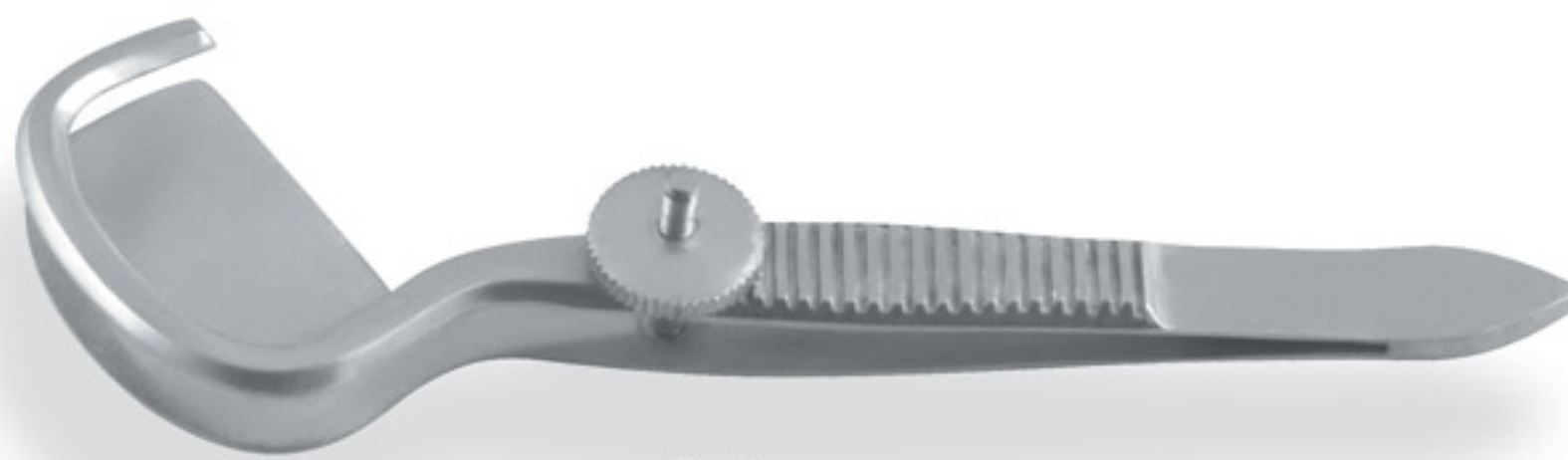
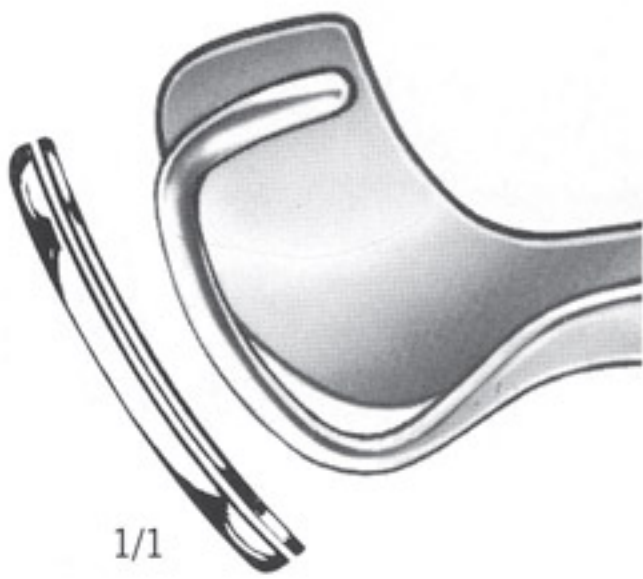
Prince  
 45.1882.10  
 10 cm



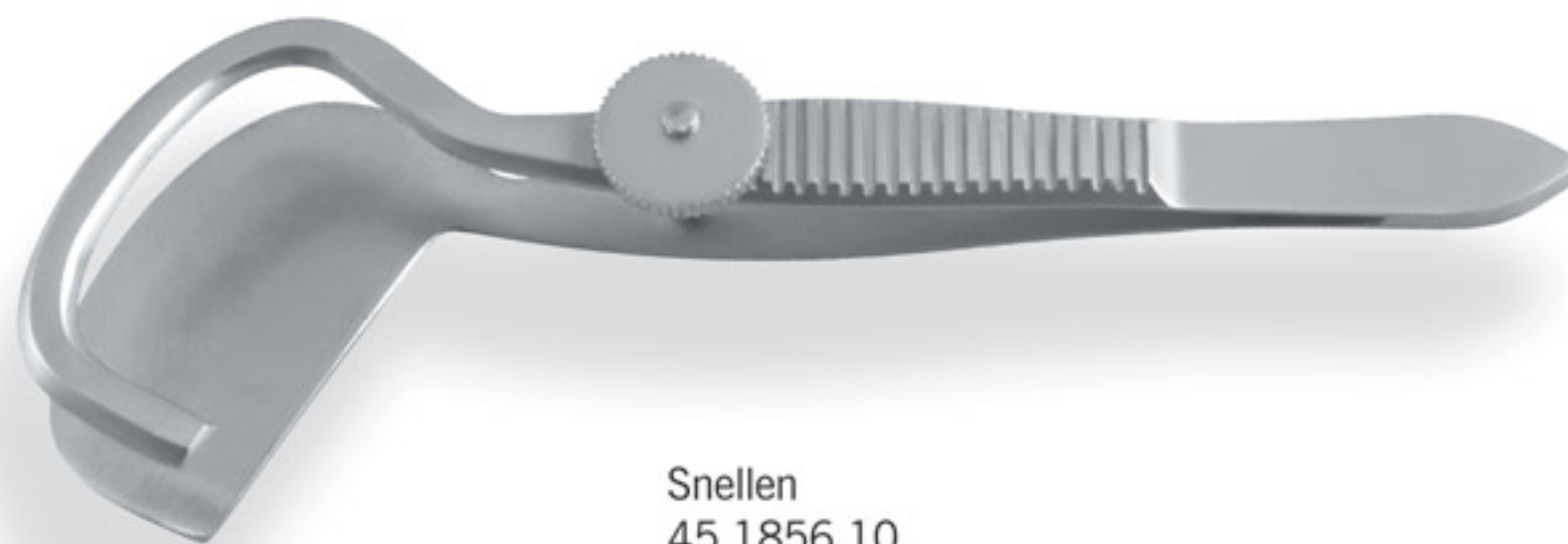
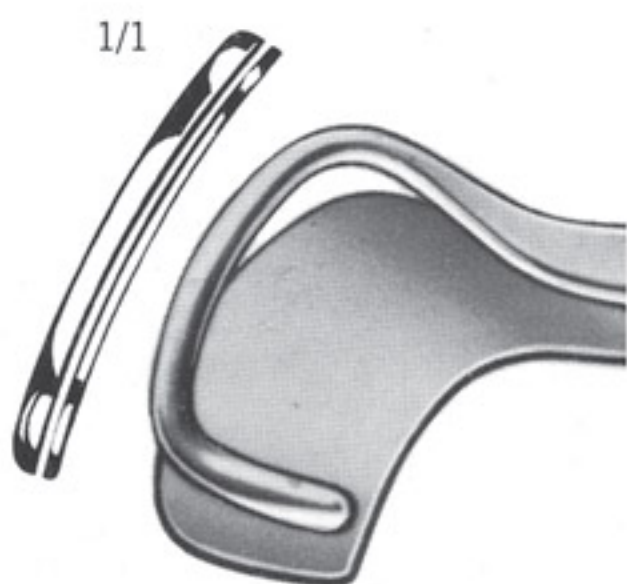
Prince  
 45.1878.10  
 10 cm



Erhardt  
 45.0358.09  
 9.0 cm



Snellen  
 45.1852.10  
 10 cm

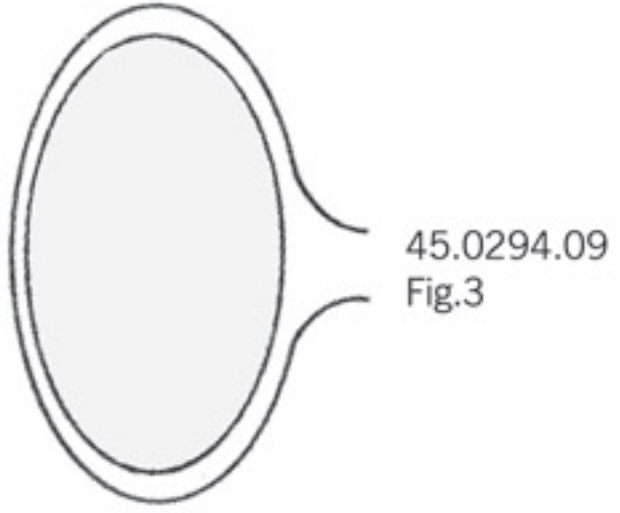


Snellen  
 45.1856.10  
 10 cm

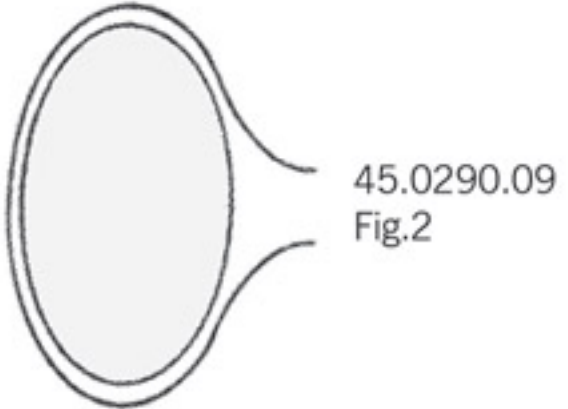
Trachoma Forceps, Strabismus Forceps  
 Trachom Pinzetten, Zangen Strabismus  
 Pincas a Granulation du Trachome, Pincas a Strabisme



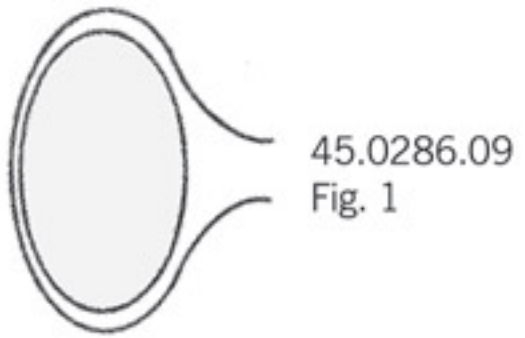
1/1



45.0294.09  
Fig.3



45.0290.09  
Fig.2

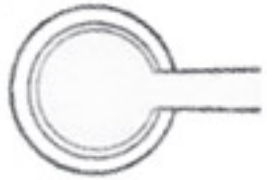


45.0286.09  
Fig. 1

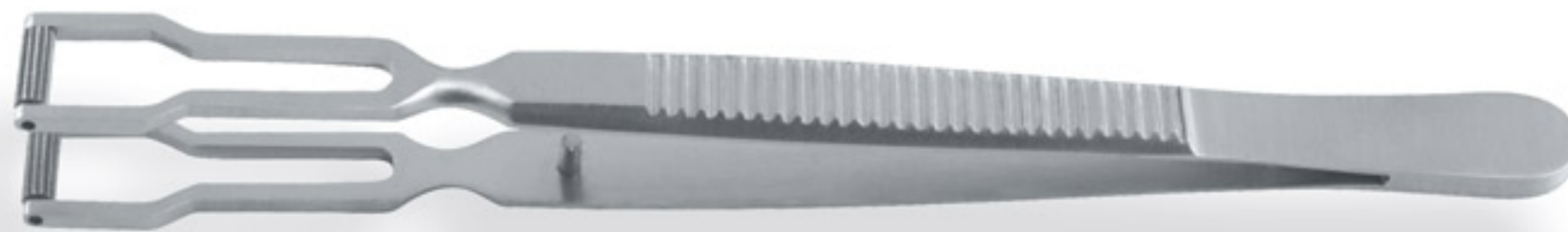


Desmarres  
 45.0286.09 - 45.0294.09  
 9.0 cm

1/1



Ayer Suture  
 45.0298.09  
 9.0 cm



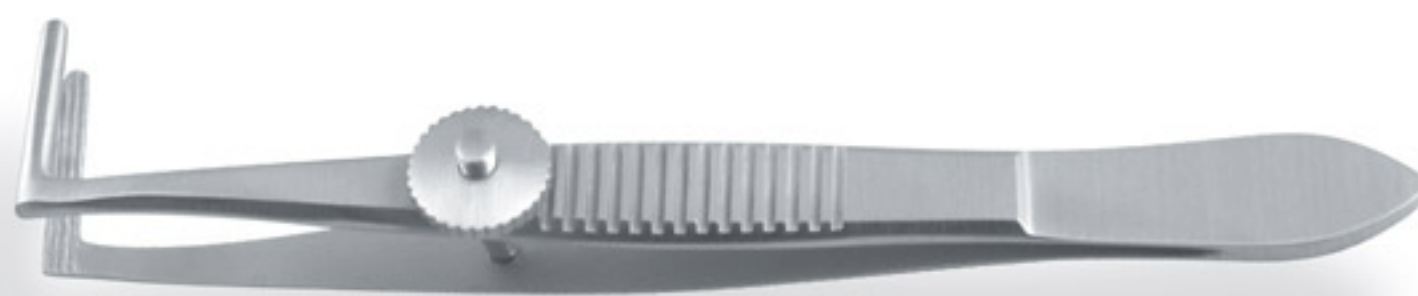
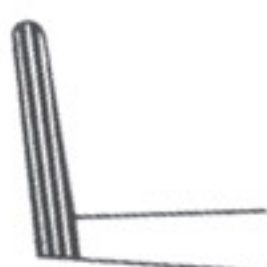
Knapp  
 45.1848.11  
 11 cm

1/1



Blascovics  
 45.0339.09  
 9.0 cm

1/1



Blascovics  
 45.0335.09  
 9.0 cm

Capsular Forceps, Cilia Forceps  
Kapsel-Pinzetten, Zangen Cilia  
Pincas Caspsulaires, Pincas Cilia



w w w . m a a r a i n . c o m

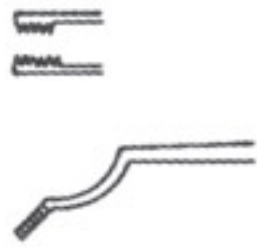


Shepard  
45.1846.00



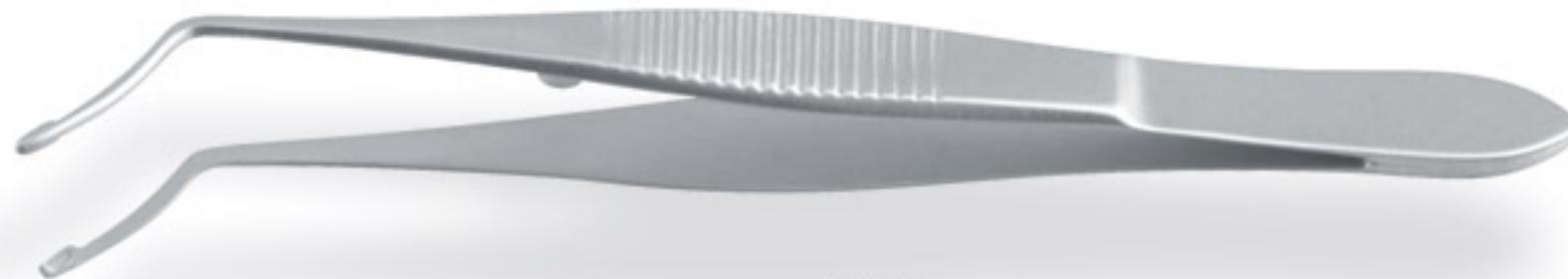
Shepard  
45.1842.00

1/1



Terson  
45.0111.09  
9.0 cm

1/1

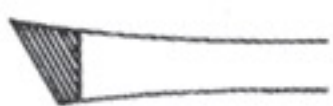


Arruga  
45.0107.10  
10 cm



Beer  
45.1690.07  
7.0 cm

1/1



Cilia Forcep  
44.0583.09  
9.0 cm



1/1



Micro Forcep  
45.0410.12  
45.1410.12 **Titanium**  
12 cm

1/1

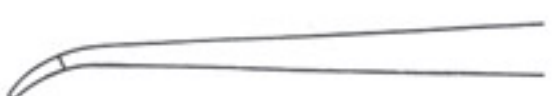


Jewelers Forcep  
45.1824.12  
45.1825.12 **Titanium**  
12 cm



Ring Tip Forcep  
45.1696.00  
45.1697.00 **Titanium**

1/1



Micro Forcep  
45.0453.18  
45.1453.18 **Titanium**  
18 cm

Eye Specula, Retractors  
 Eye Spcula, Retraktoren  
 Spcua Yeux, Retracteurs



w w w . m a a r a i n . c o m



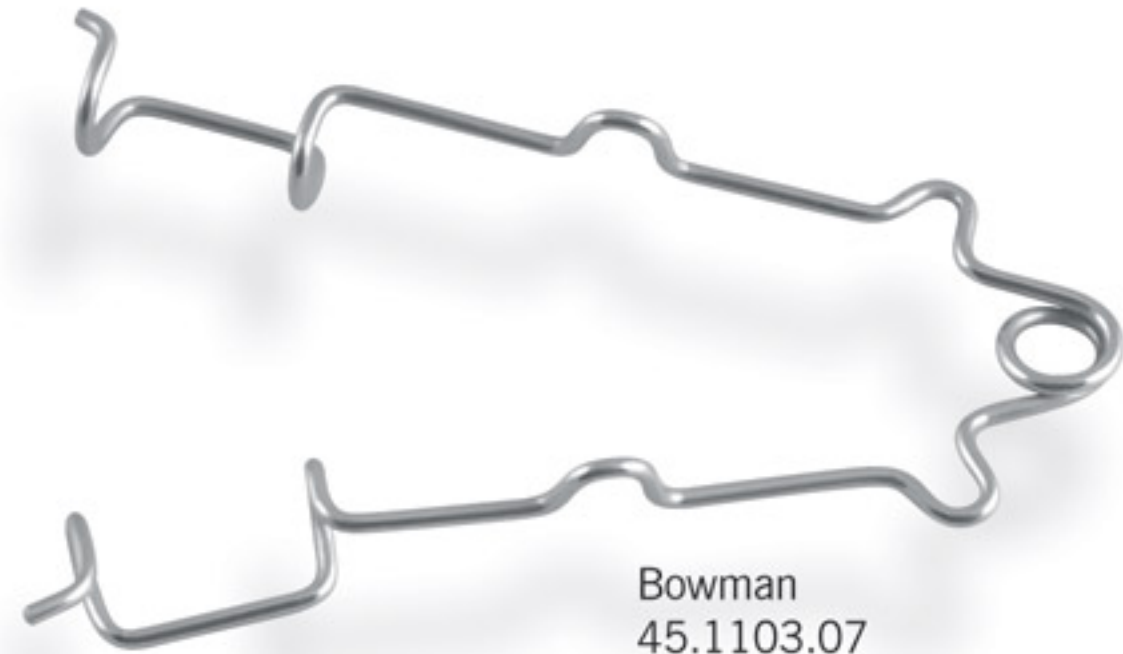
Graefe  
 45.1111.07 7.0 cm  
 45.1115.09 9.0 cm



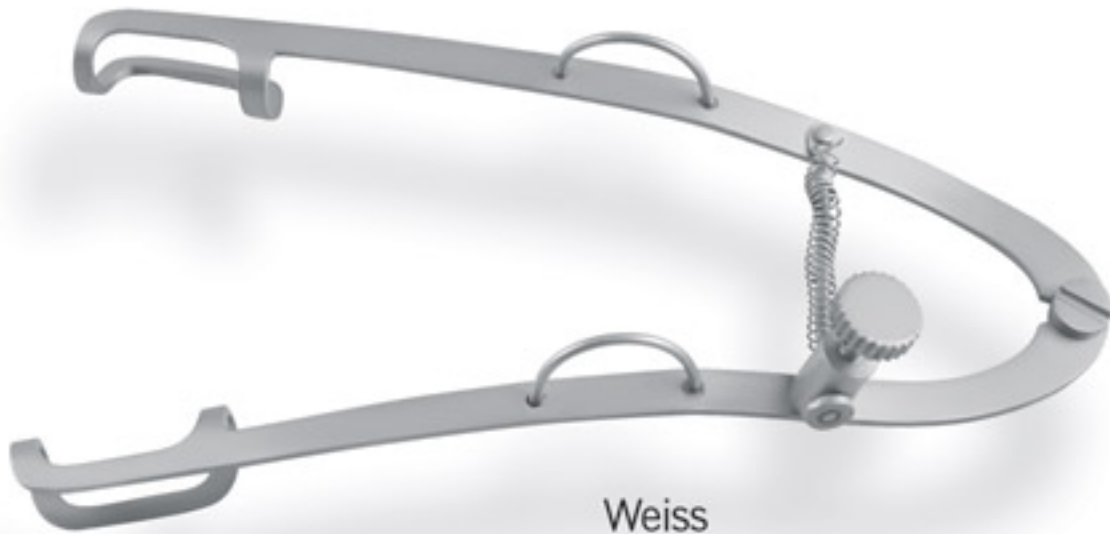
Muller  
 45.1119.07  
 7.0 cm



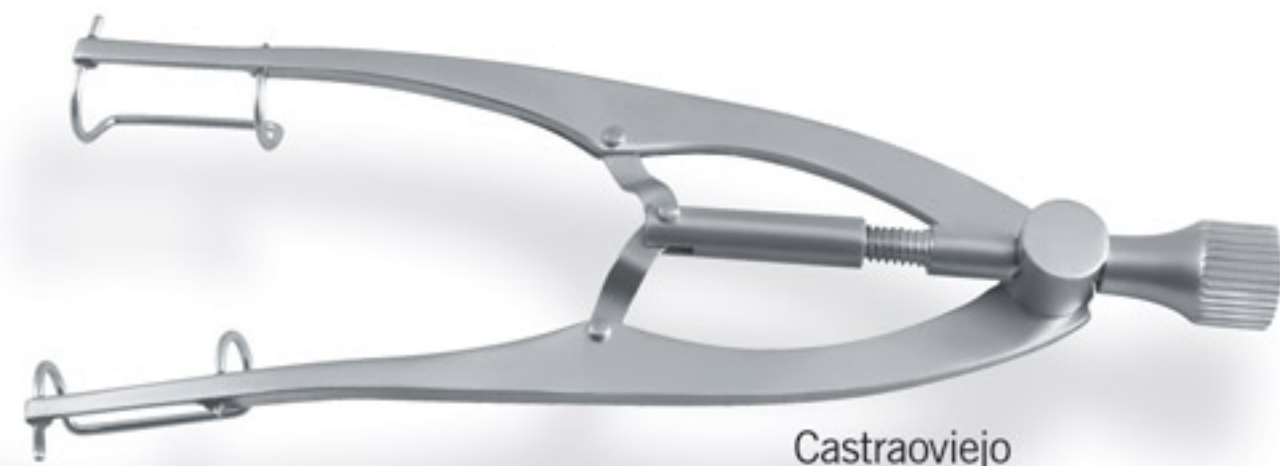
Weiss  
 45.1123.08  
 8.0 cm



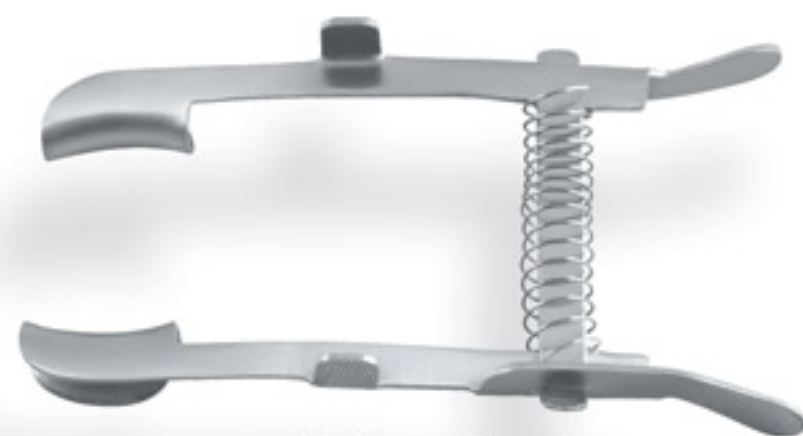
Bowman  
 45.1103.07  
 7.0 cm



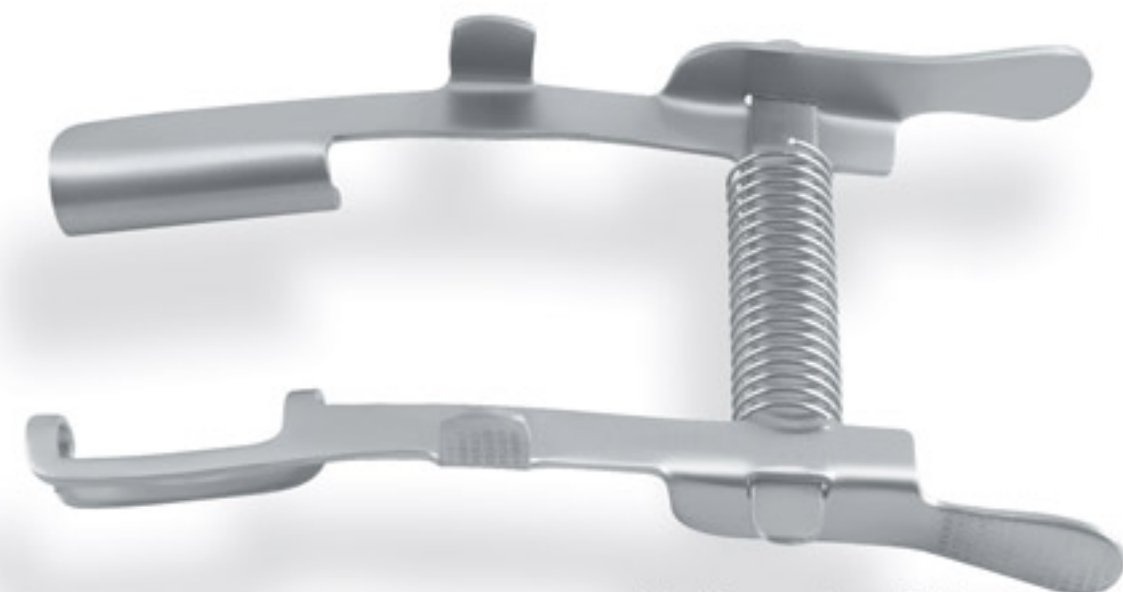
Weiss  
 45.1125.07 7.0 cm  
 45.1129.09 9.0 cm



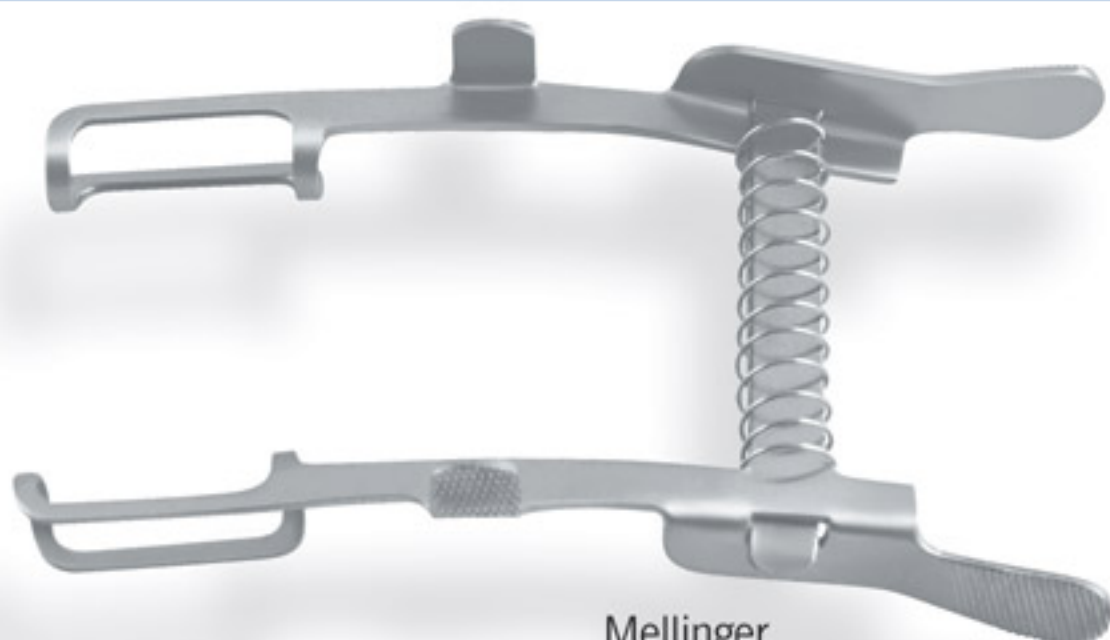
Castraviejo  
 45.1147.08  
 8.0 cm



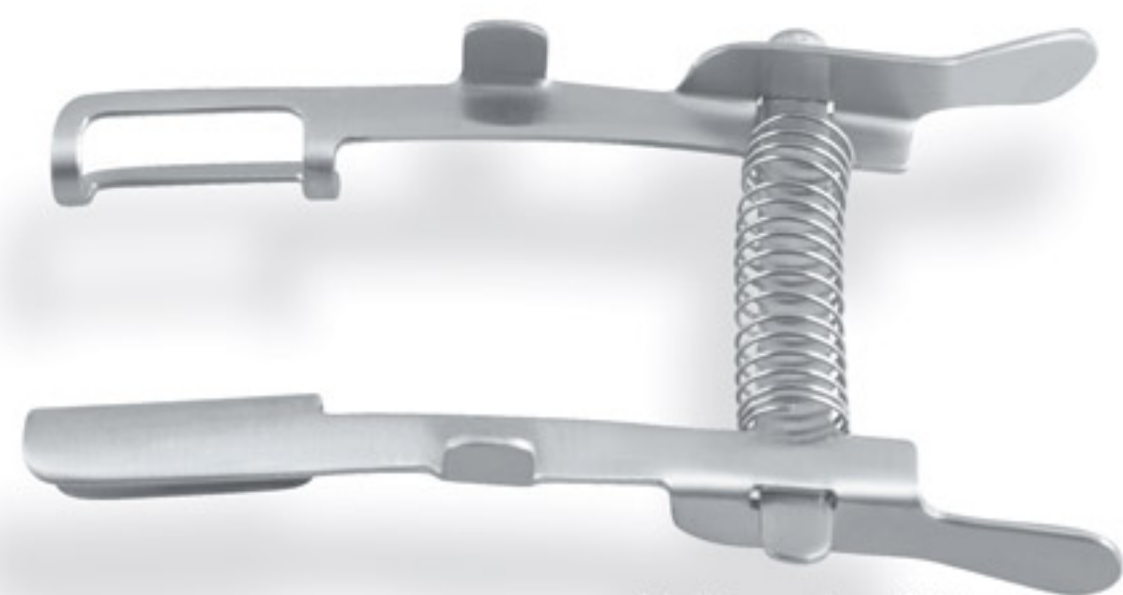
Mellinger Beard  
 45.1183.05 5.0 cm  
 45.1187.07 7.0 cm



Mellinger-Axenfeld  
 45.1191.07  
 7.0 cm

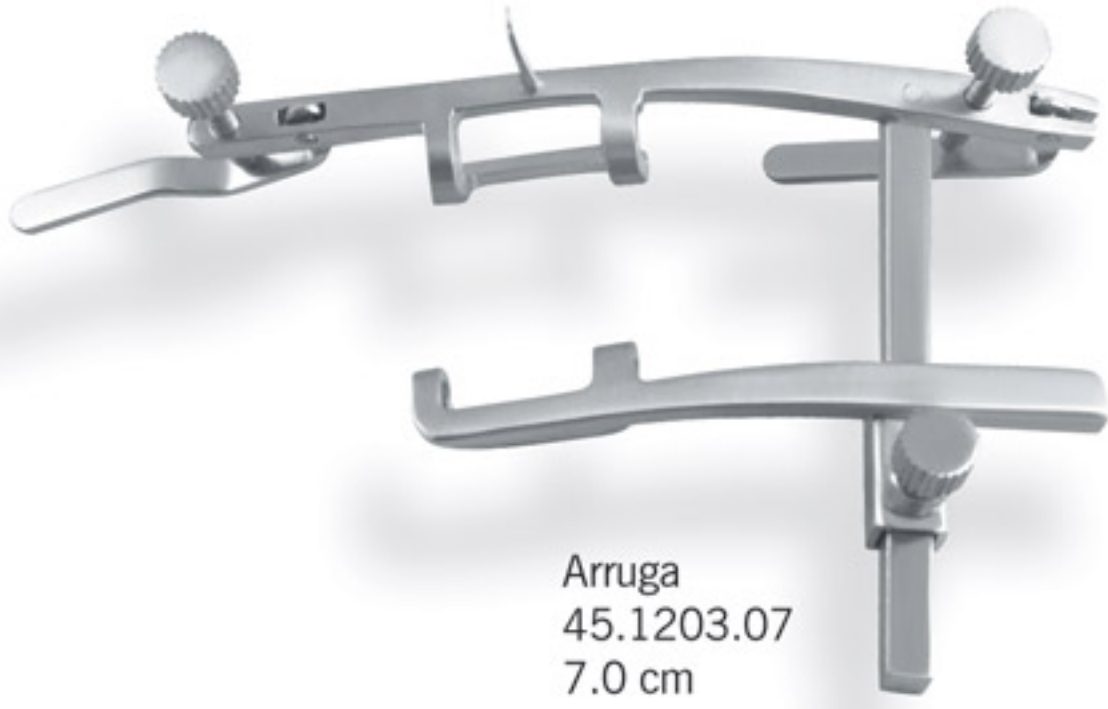


Mellinger  
 45.1175.05 5.0 cm  
 45.1179.07 7.0 cm

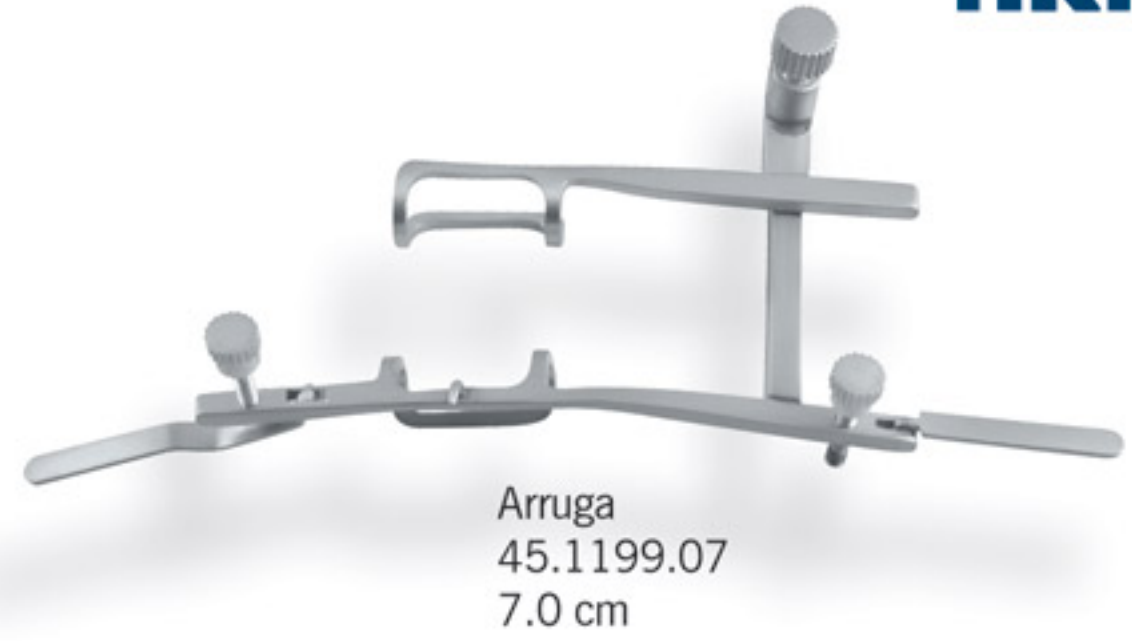


Mellinger-Axenfeld  
 45.1195.07  
 7.0 cm

Eye Specula, Retractors  
 Eye Spcula, Retraktoren  
 Spcula Yeux, Retracteurs



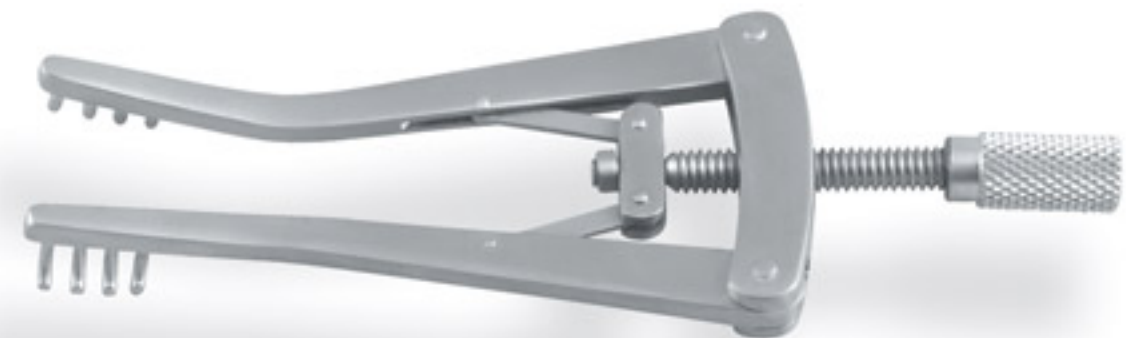
Arruga  
 45.1203.07  
 7.0 cm



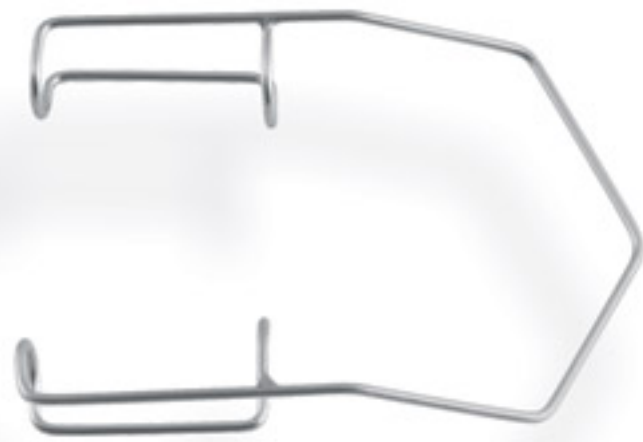
Arruga  
 45.1199.07  
 7.0 cm



Finsen  
 48.0292.05 5.0 cm sharp  
 48.0293.05 5.0 cm blunt  
 48.0296.07 7.0 cm sharp  
 48.0297.07 7.0 cm blunt



Finsen  
 48.0284.07 7.0 cm sharp  
 48.0285.07 7.0 cm blunt  
 48.0288.10 10 cm sharp  
 48.0289.10 10 cm blunt



Barraquer  
 45.1095.03 3.0 cm  
 45.1099.04 4.0 cm



Murdock  
 45.1163.05  
 5.0 cm



Sauer  
 45.1151.03  
 3.0 cm



Critchett  
 45.1107.07  
 7.0 cm



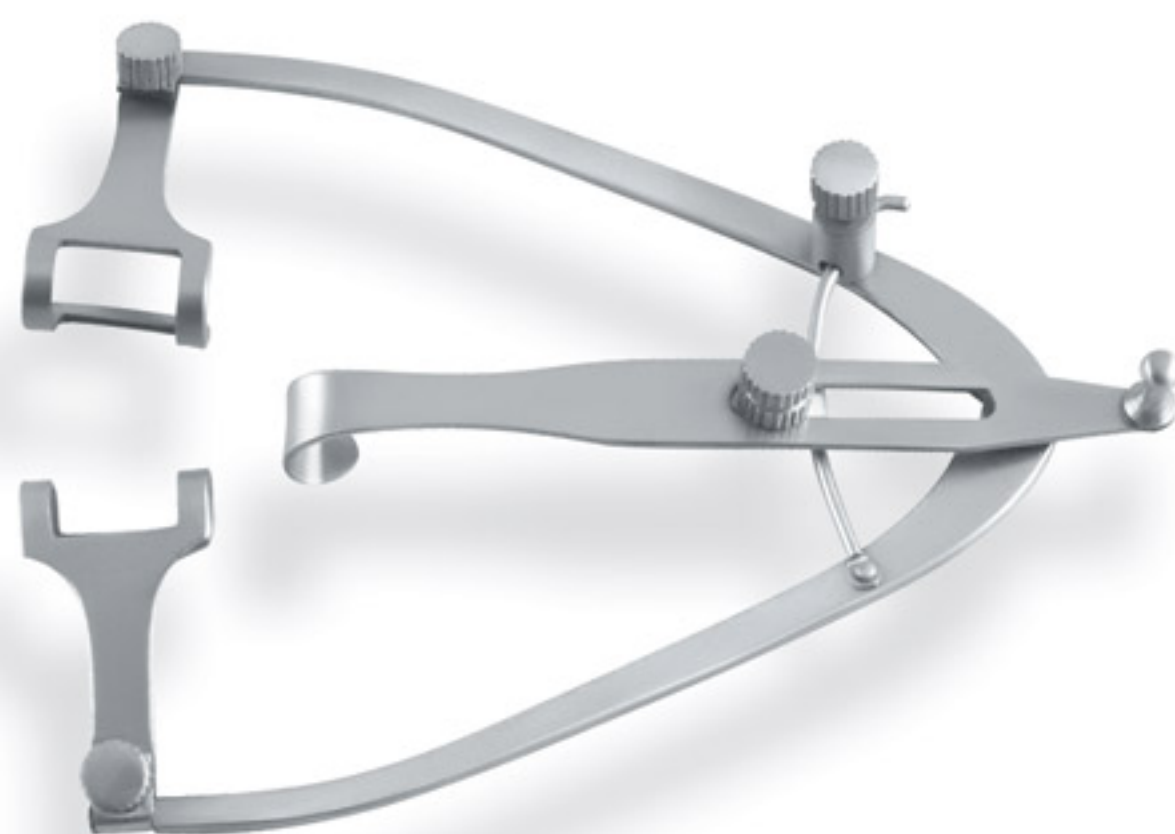
Pley  
 45.1167.06  
 6.0 cm



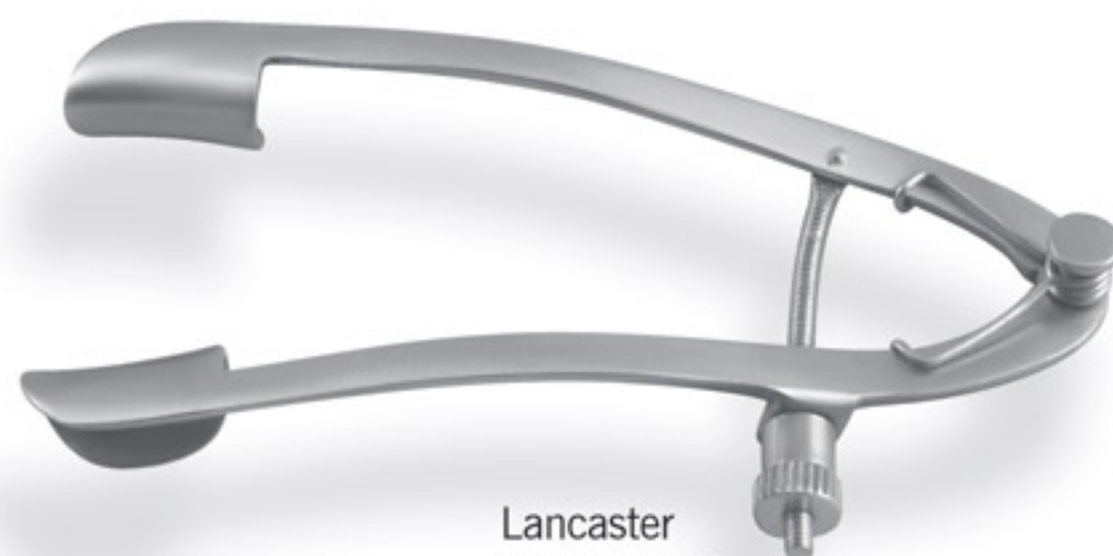
Ziegler  
 45.1171.07  
 7.0 cm



Williams  
45.1139.07 7.0 cm  
45.1143.08 8.0 cm



Guyton-Park  
45.1207.08  
8.0 cm



Lancaster  
45.1155.07  
7.0 cm



Dix  
45.0985.00



45.1650.00

1/1



45.1565.06  
 3.0 x 32 mm  
 Fig.6



45.1562.05  
 2.5 x 35 mm  
 Fig.5



45.1558.04  
 2.3 x 33 mm  
 Fig.4



Graefe  
 45.1558.04 - 45.1565.06

1/1



Wheeler  
 45.1522.00

1/1



Graefe  
 45.1529.00

1/1



45.1506.03  
 7 mm  
 Fig.3



45.1502.02  
 6 mm  
 Fig.2



45.1498.01  
 5 mm  
 Fig.1



Ziegler  
 45.1502.02 - 45.1506.03

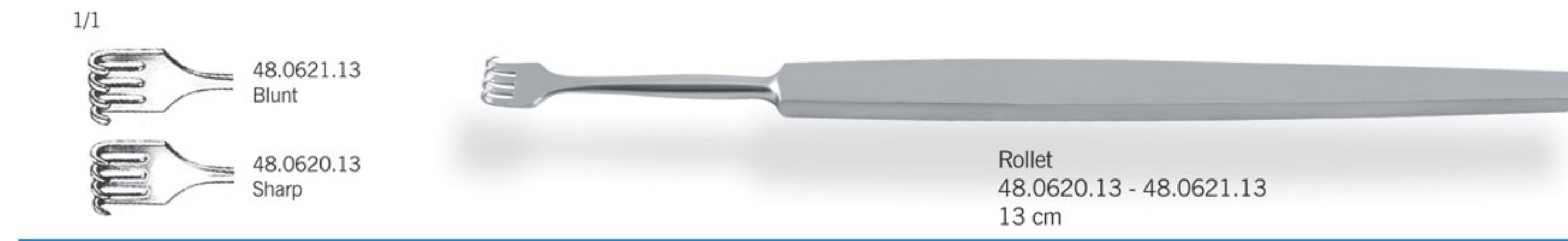
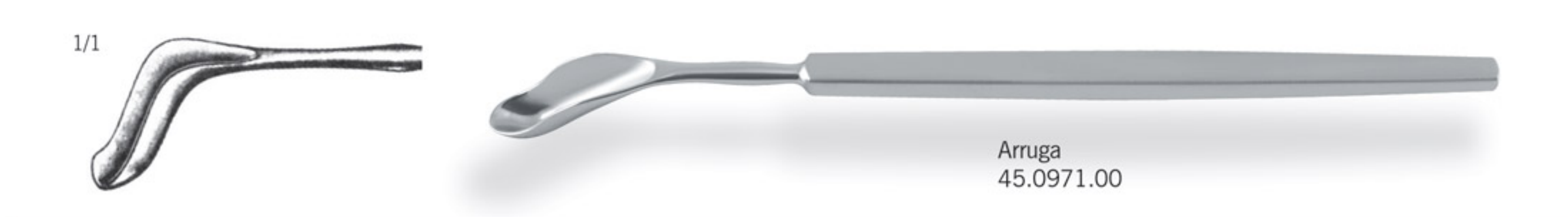
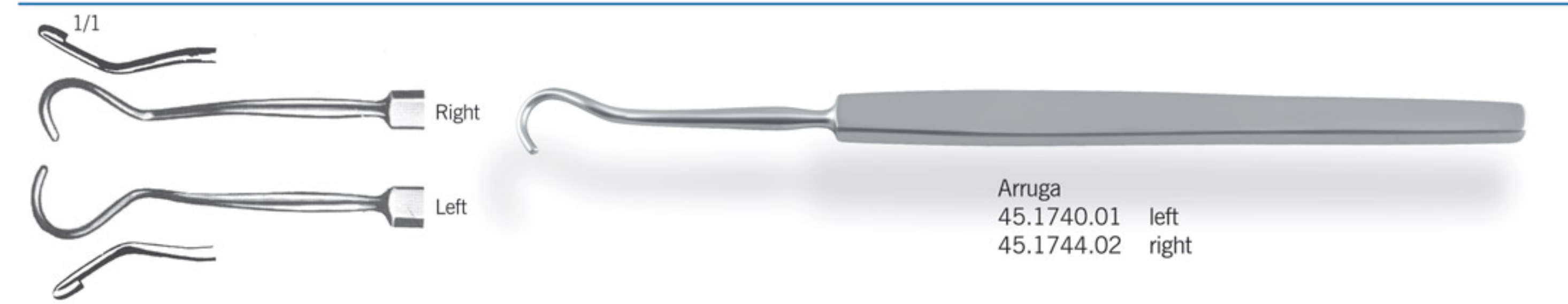
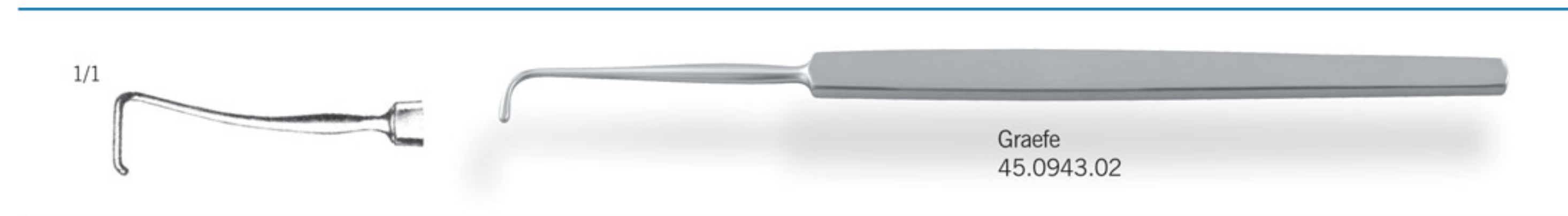
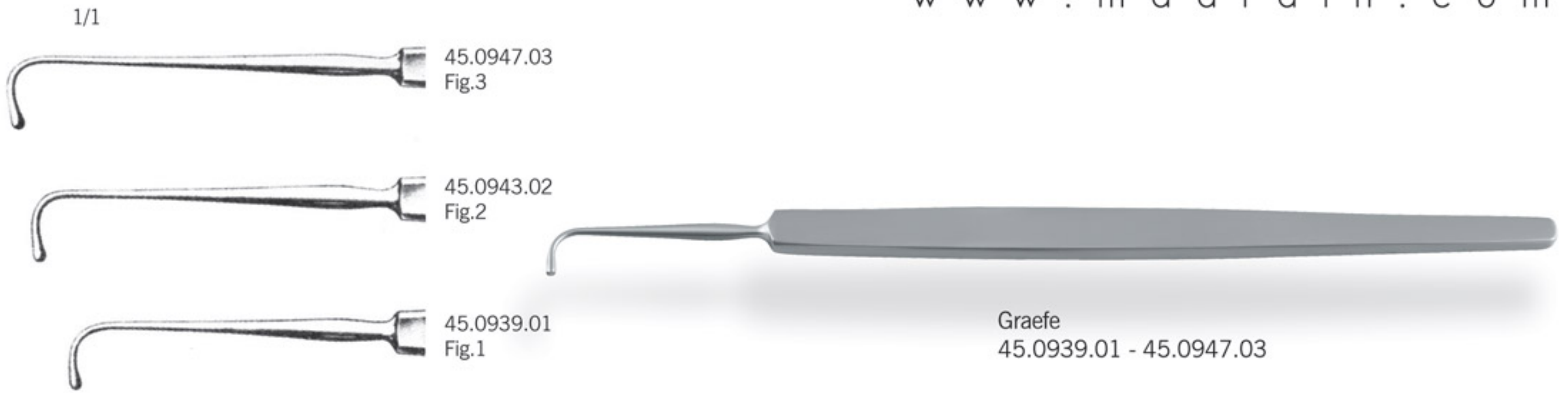


Walter  
 45.1756.00

Hooks and Hooklets, Retractors  
 Hook & Hakchen, Retraktoren  
 Hook & Petits Crochets, des Retracteurs




w w w . m a a r a i n . c o m



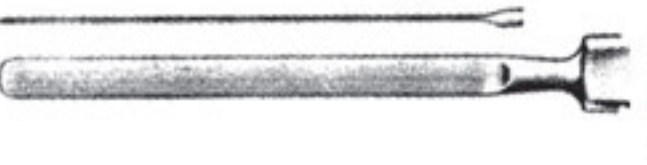
Lens Expressors Instruments, Eye Spoons, Cyclodialysis Spatulas  
 Objektiv Expressoren Instruments, Eye Löffel, Spatel Cyclodiaysis  
 Objectif Expresseurs Instruments, Cuiller Yeux, Spatules Cyclodiaysis




1/1




45.0907.01  
45.1907.01  
1 mm



45.0904.02  
45.1904.02  
2 mm




Wecker  
45.0904.02 2 mm  
45.0907.01 1 mm (wheeler)  
45.1904.02 2 mm  
45.1907.01 1 mm (wheeler) **Titanium**




Wadsworth Todd  
45.1760.00

1/1





Wells  
45.0886.00  
45.1886.00 **Titanium**

1/1



Smooth



Weber  
45.1449.21  
45.1450.21 **Titanium**

1/1



mm Ø 1.0



Walton  
45.0992.00  
1.5 mm



Dissecting Micro Needle  
45.1764.00  
45.1765.00 **Titanium**

1/1




Castroviejo Barraquer  
45.0857.10  
45.1857.10 **Titanium**  
10 cm




Charlex  
45.1736.00  
45.1737.00 **Titanium**

1/1




Elsching  
45.0817.10  
45.1817.10 **Titanium**  
10 cm



Kuhnt  
45.1065.03

Double-ended Instruments, Lid Instruments  
 Deckel Instrumente, Doppel-End-Geraten  
 Instrument Couvercle, Double-End Instruments



w w w . m a a r a i n . c o m

1/1  



Smith-Fisher  
 45.1732.12  
 45.1733.12 **Titanium**  
 12 cm





Meyhoefer  
 45.1752.00

1/1  

Meyhoefer  
 45.0882.00  
 3.7 x 2.7 mm

1/1  

Gross Curettes  
 49.0592.12  
 12 cm

1/1  

Castroviejo  
 45.0893.01 0.5 x 15 mm  
 45.0897.02 0.75 x 15 mm  
 45.1893.01 0.5 x 15 mm **Titanium**  
 45.1897.02 0.75 x 15 mm

1/1  

Walton  
 45.0992.00  
 1.5 mm

1/1  

45.1025.02  
 45.1026.02  
 Cvd  
 45.1022.01  
 45.1023.01  
 Str

Jaeger  
 45.1022.01 - 45.1025.02  
 45.1023.01 - 45.1026.02 **Titanium**

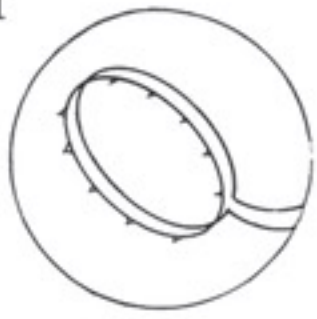
Desmarres  
 45.1215.01  
 13 cm





8 cm  
 Castroviejo  
 45.1654.08 15mm  
 45.1664.08 20mm

1/1



Thornton  
 45.1662.00



Mendez  
 45.1666.00

1/1



Bores  
 45.1670.04 4  
 45.1674.06 6  
 45.1678.00 8  
 45.1682.12 12  
 45.1686.16 16



Bowmann (Williams)  
 45.1326.00 fig.00 0.7 mm  
 45.1330.00 fig.0 0.8 mm  
 45.1334.00 fig.1 0.9 mm  
 45.1338.00 fig.2 1.1 mm  
 45.1342.00 fig.3 1.3 mm  
 45.1346.00 fig.4 1.4 mm  
 45.1350.00 fig.5 1.5 mm  
 45.1354.00 fig.6 1.6 mm  
 45.1358.00 fig.7 1.8 mm  
 45.1362.00 fig.8 1.9 mm

Ear Punches  
Ear Punches  
Gouges, Osteotomes Emport-pieces



w w w . m a r a i n . c o m



Kerrison  
45.1704.00



Holth  
45.1658.00



Mod Hamberg  
45.1938.00



Simcoe  
45.1942.00



Mod Bonn  
45.1946.00



Scheie  
45.1950.00



Mod Tubingen  
45.1954.00



Scheie  
45.1958.00



Simcoe  
45.1972.00 13 mm  
45.1976.00 21 mm



Irrigating Vectis  
45.1980.00



Lacrimal  
45.1984.00



Jensen  
45.1988.00 25 gauge  
45.1992.00 23 gauge



Castroviejo  
45.1994.00

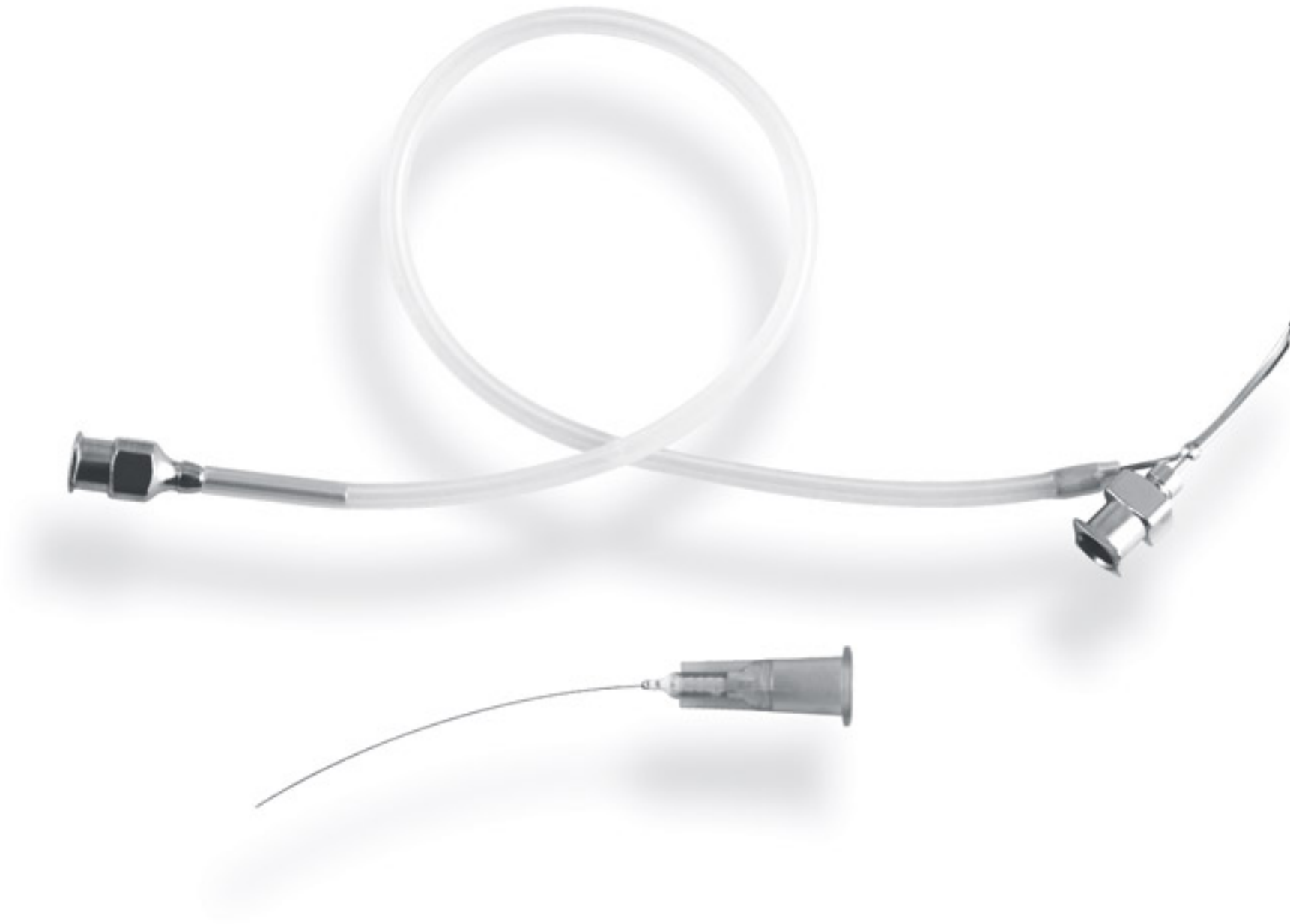


Straight

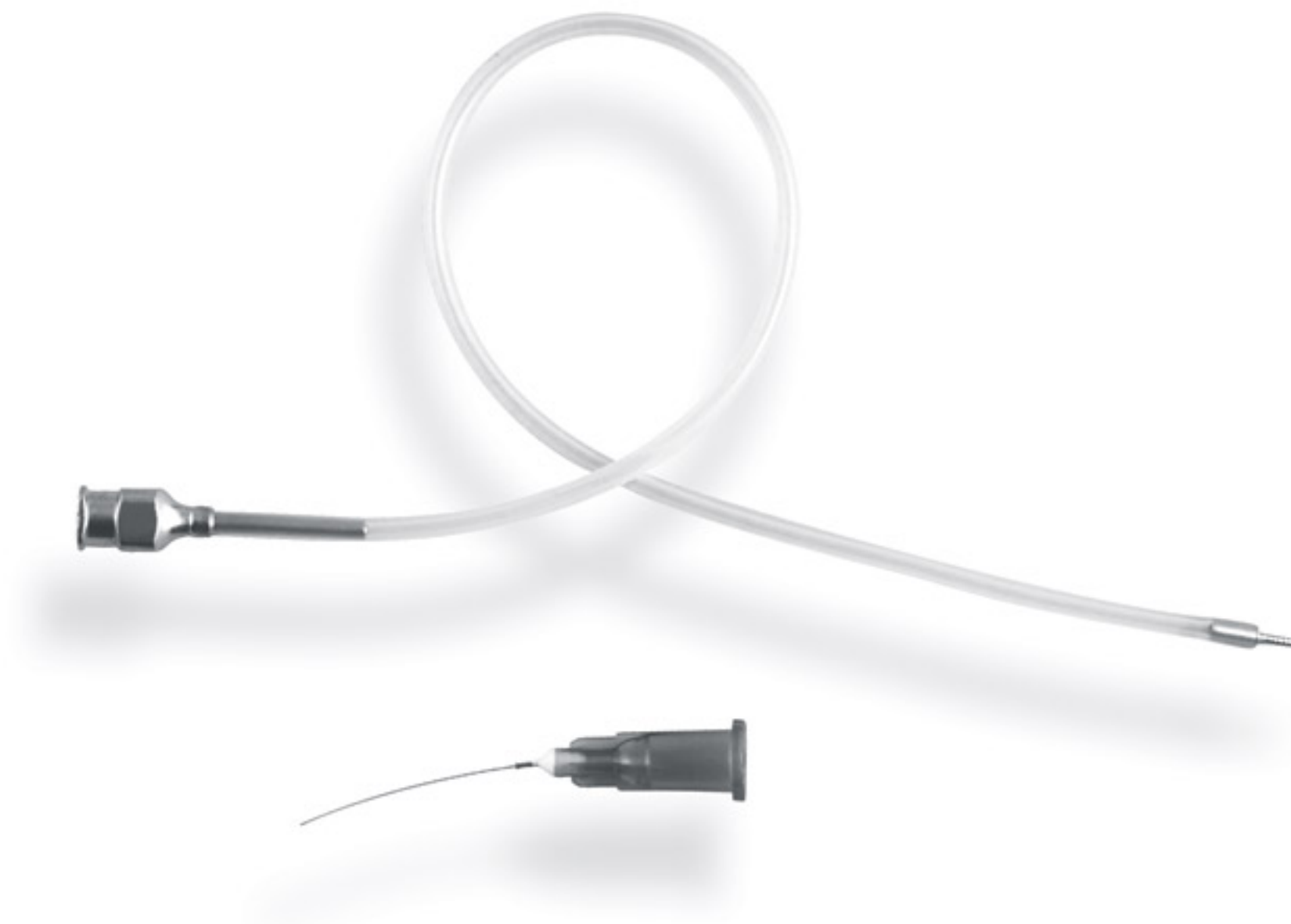


Angled

McIntyre		
45.1998.00	23 gauge	Straight
45.2002.00	23 gauge	Angled
45.2006.00	26 gauge	Straight
45.2010.00	26 gauge	Angled
45.2012.00	30 gauge	Straight
45.2014.00	30 gauge	Angled



Simcoe  
45.2016.00



Chamber Maintainer  
45.2020.00 25 gauge  
45.2024.00 23 gauge  
45.2028.00 20 gauge





[www.mairain.com](http://www.mairain.com)

**Certified:**

**ISO 9001 : 2008**

**ISO 14001 : 2004**

**ISO 13485 : 2003**

**cGMP - FDA (USA)**

**CE 0120**



**M.A. ARAIN & BROTHERS**

Mailing Address:

P.O. Box: 432, Sialkot-Pakistan

Factory:

Wazirabad Road, Sialkot-Pakistan.

Phone: +92 52 4264926 & 4264571

Fax: +92 52 4264759 & 4264026

E-mail: [info@maarain.com](mailto:info@maarain.com)

URL: [www.maarain.com](http://www.maarain.com)